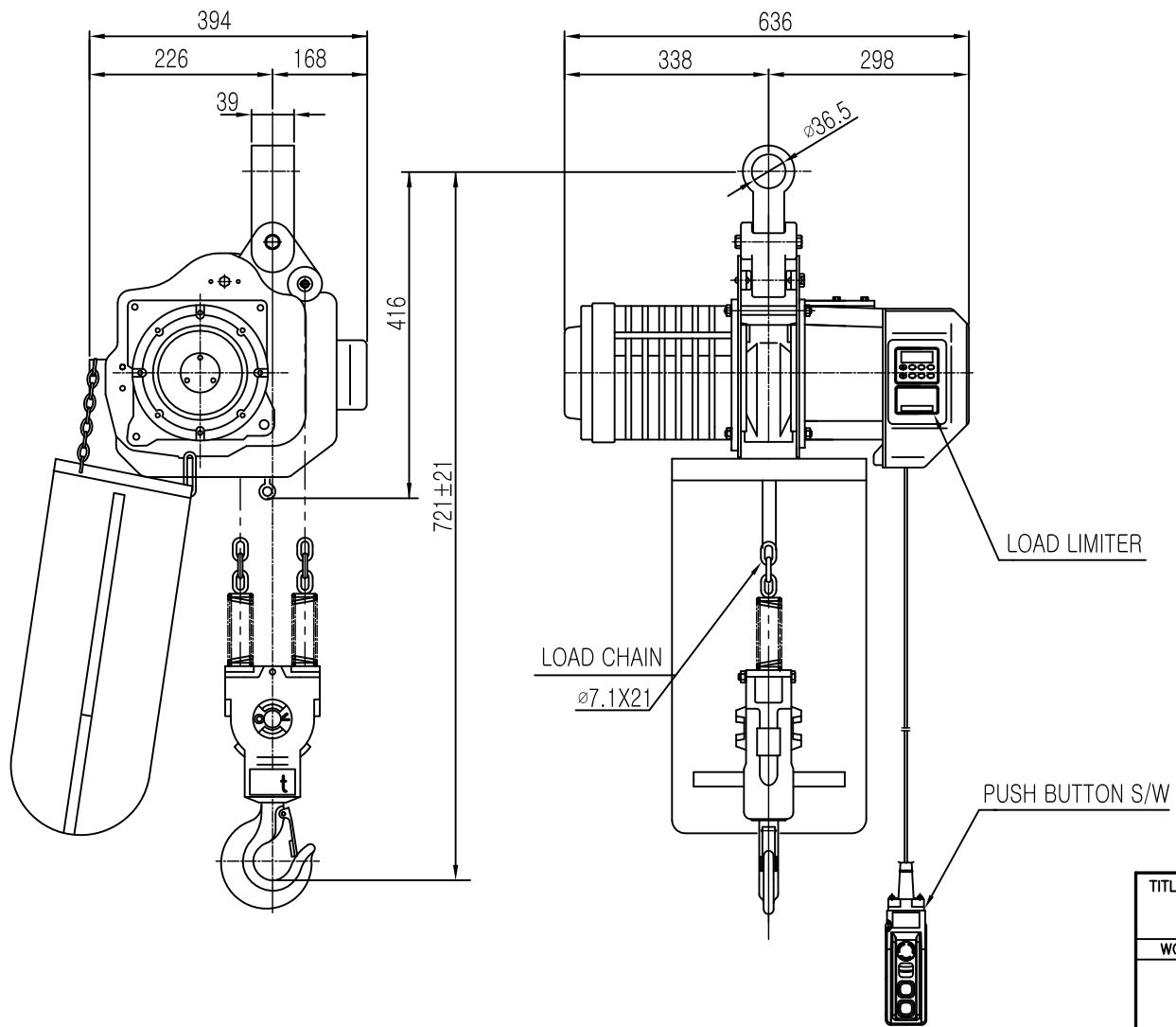


ON OMD

L K HOIST

NO	DESCRIPTION	SIZE	MAT' L	Q' TY	WT (kg)	REMARKS



SPECIFICATION			
HOISTING LOAD	2.0	TON	
TESTING LOAD	2.5	TON	
LIFTING HEIGHT	50	M	
HOISTING	SPEED	4.1/1.3	M/MIN
	MOTOR	1.8/0.7KW x 2/6P	
TRAVERSING	SPEED	-	M/MIN
	MOTOR	- KW x - SET	
POWER SUPPLY	AC220,380,440,460,480Vx 3 ϕ x 60 Hz		
OPERATING METHOD	P.B type ON . FL		
LOAD CHAIN	$\phi 7.1 \times 21$ (2FALL)		
WIEGHT	190 KG		

NOTE)
 1) 점검 설비를 갖출것.
 2) 인허가 서류를 완성검사시 제출할것.

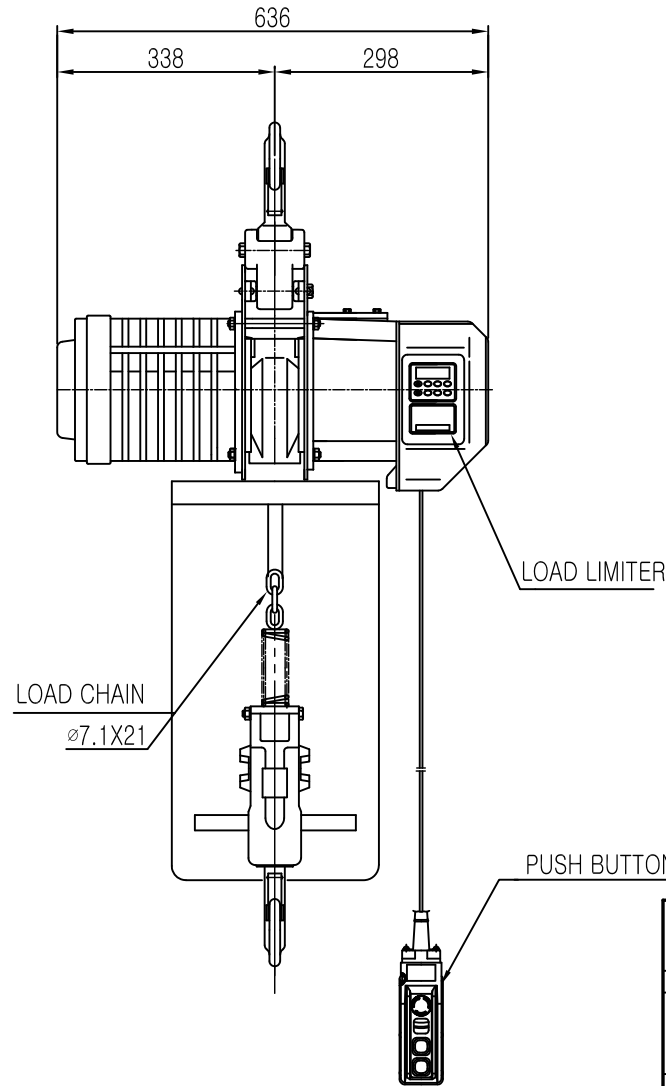
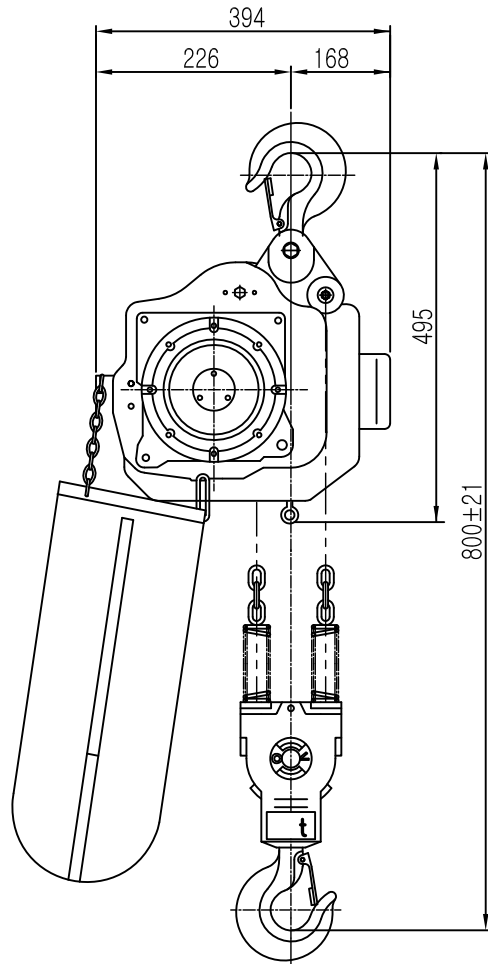
REV.NO	DATE	REVISION	DESCRIPTION	DRAWN	CHECKED	APPROVED

TITLE					PROJECTION		
DB-2W ELECTRIC CHAIN HOIST							
WORK NO	WORK NAME				SCALE	Q' TY	
	CONNECTOR TYPE				N S	1	
DRAWN	CHECKED	REVIEWED	APPROVED	DRAWING NO			
김 창 기							
2010.07.27							
L K HOIST CO., LTD.							

ON 9MG

L K HOIST

NO	DESCRIPTION	SIZE	MAT' L	Q' TY	WT (kg)	REMARKS



SPECIFICATION		
HOISTING LOAD	2.0	TON
TESTING LOAD	2.5	TON
LIFTING HEIGHT	50	M
HOISTING	SPEED	4.1/1.3 M/MIN
	MOTOR	1.8/0.7KW x 2/6P
TRAVERSING	SPEED	- M/MIN
	MOTOR	- KW x - SET
POWER SUPPLY	AC220,380,440,460,480Vx 3ø x 60 Hz	
OPERATING METHOD	P.B type ON . FL	
LOAD CHAIN	ø7.1 x 21 (2FALL)	
WIEGHT	190 KG	

NOTE)

- 1) 점검 설비를 갖출것.
- 2) 인허가 서류를 완성검사시 제출할것.

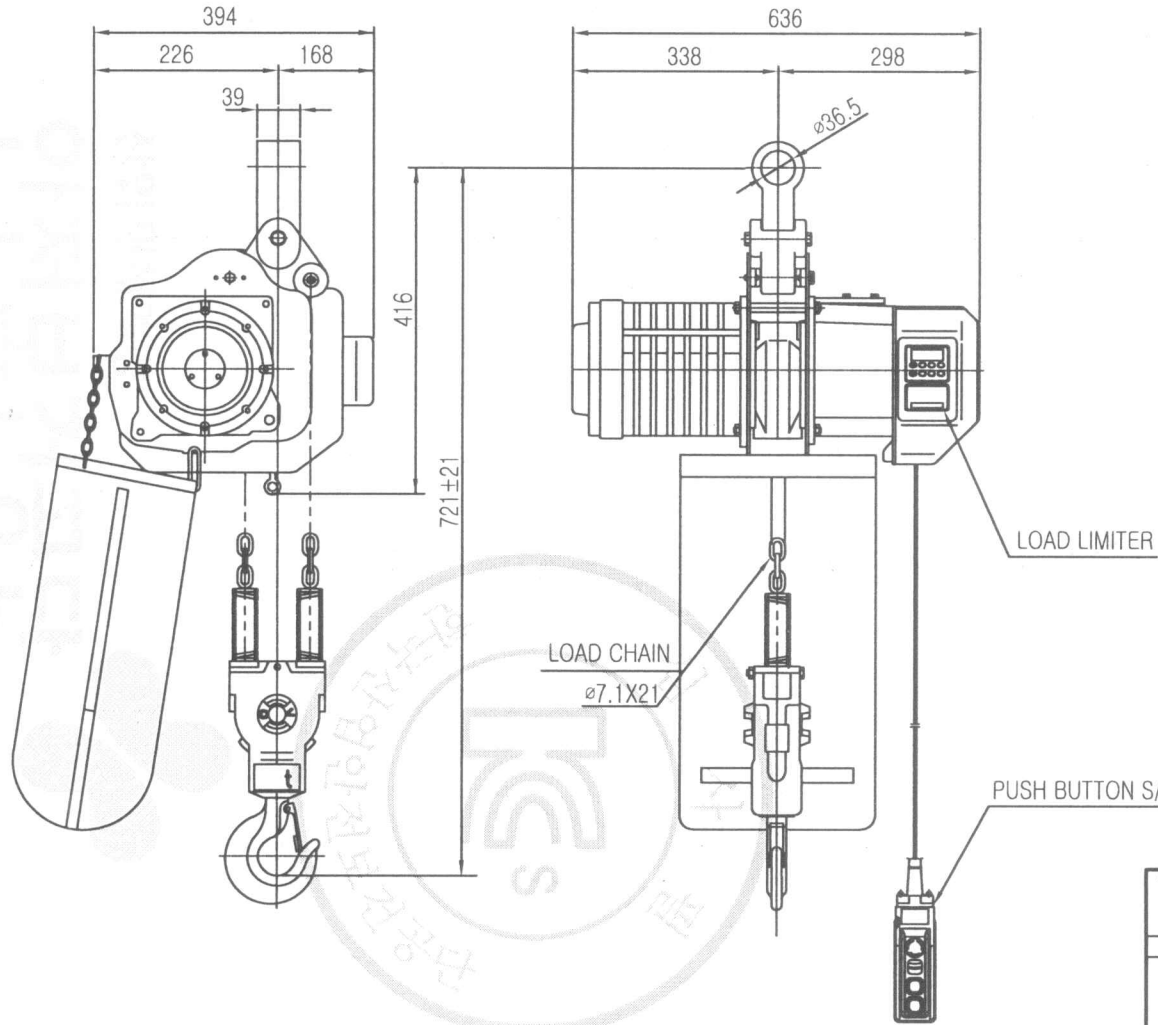
TITLE				PROJECTION	
DB-2W ELECTRIC CHAIN HOIST					
WORK NO	WORK NAME			SCALE	Q' TY
HOOK TYPE				N S	1
DRAWN	CHECKED	REVIEWED	APPROVED	DRAWING NO	
김 창 기					
2010.07.27					
L K HOIST CO., LTD.					

REV.NO	DATE	REVISION	DESCRIPTION	DRAWN	CHECKED	APPROVED

ON 9MG

L K HOIST

NO	DESCRIPTION	SIZE	MAT L	Q' TY	WT (kg)	REMARKS



SPECIFICATION	
HOISTING LOAD	2.0 TON
TESTING LOAD	2.5 TON
LIFTING HEIGHT	50 M
HOISTING	SPEED 4.1/1.3 M/MIN
	MOTOR 1.8/0.7KW x 2/6P
TRAVERSING	SPEED - M/MIN
	MOTOR - KW x - SET
POWER SUPPLY	AC220,380,440,460,480Vx 3ø x 60 Hz
OPERATING METHOD	P.B type ON . FL
LOAD CHAIN	ø7.1 x 21 (2FALL)
WIEGHT	190 KG

NOTE)

- 1) 점검 설비를 갖출것.
- 2) 인허가 서류를 완성검사시 제출할것.

TITLE				PROJECTION	
DB-2W ELECTRIC CHAIN HOIST					
WORK NO	WORK NAME			SCALE	Q' TY
	CONNECTOR TYPE			N S	1
DRAWN	CHECKED	REVIEWED	APPROVED	DRAWING NO	
김 창 기					
2010.07.27					
L K HOIST CO., LTD.					

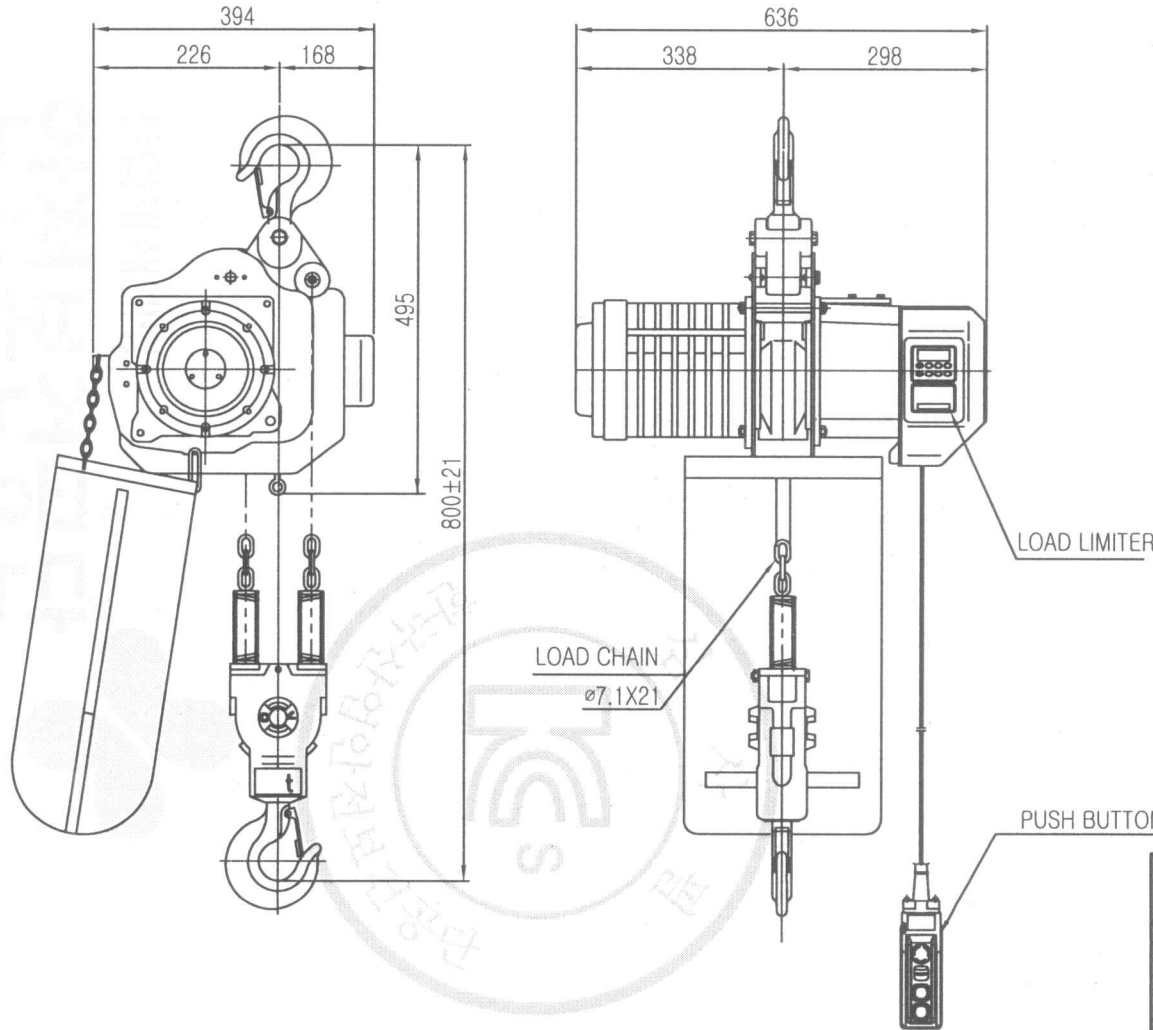
REV.NO	DATE	REVISION	DESCRIPTION	DRAWN	CHECKED	APPROVED

물범북제 및 배포금지

ON GMD

L K HOIST

NO	DESCRIPTION	SIZE	MAT'L	Q'TY	WT (kg)	REMARKS



SPECIFICATION	
HOISTING LOAD	2.0 TON
TESTING LOAD	2.5 TON
LIFTING HEIGHT	50 M
HOISTING	SPEED 4.1/1.3 M/MIN
	MOTOR 1.8/0.7KW x 2/6P
TRAVERSING	SPEED - M/MIN
	MOTOR - KW x - SET
POWER SUPPLY	AC220,380,440,460,480Vx 3ø x 60 Hz
OPERATING METHOD	P.B type ON . FL
LOAD CHAIN	ø7.1 x 21 (2FALL)
WIEGHT	190 KG

NOTE)

- 1) 점검 설비를 갖출것.
- 2) 인허가 서류를 완성검사시 제출할것.

물범복제 및 배포금지

REV.NO	DATE	REVISION	DESCRIPTION	DRAWN	CHECKED	APPROVED

TITLE				PROJECTION	
DB-2W ELECTRIC CHAIN HOIST					
WORK NO	WORK NAME		SCALE	Q' TY	
	HOOK TYPE		N S	1	
DRAWN	CHECKED	REVIEWED	APPROVED	DRAWING NO	
김창기					
2010.07.27					
L K HOIST CO., LTD.					