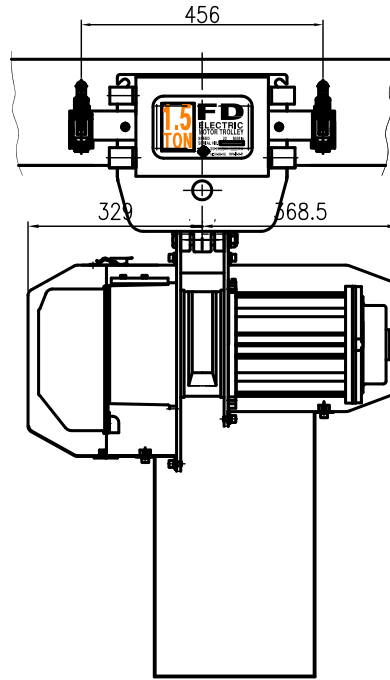
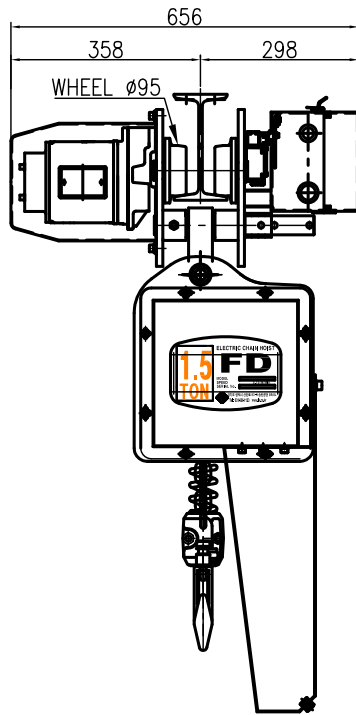


ON 5MG

# L K HOIST

NO	DESCRIPTION	SIZE	MAT' L	Q' TY	WT (kg)	REMARKS



SPECIFICATION			
HOISTING LOAD	1.5 TON		
TESTING LOAD	1.875 TON		
LIFTING HEIGHT	20 M		
HOISTING	SPEED	10.3 M/MIN	
	MOTOR	3.5 KW x 4p	
TRAVERSING	SPEED	16 M/MIN	10.5 M/MIN
	MOTOR	0.4 KW x 4p	0.3 KW x 6p
POWER SUPPLY	AC 220,380,440,460,480V x 3ø x 60 Hz		
OPERATING METHOD	P.B type ON . FL		
WEIGHT	230KG		
I-BEAM SIZE	100 ~ 175 MM		
H-BEAM SIZE	100 ~ 200 MM		

## 적용 I-BEAM)

- 1) 지점간 거리: I-200X100X7/10 - 3.5M
- 2) 지점간거리 : I-250X125X7.5/12.5-5.5M
- 3) 지점간거리 : I-300X150X10/18.5-8.2M
- 4) 지점간거리 : I-450X175X13/26-14.0M

## 적용 H-BEAM)

- 1) 지점간 거리: I-200X100X5.5/8 - 3.2M
- 2) 지점간거리 : I-250X125X6/9-5.0M
- 3) 지점간거리 : I-300X150X6.5/9-6.5M
- 4) 지점간거리 : I-450X200X9/14-12.5M

TITLE				PROJECTION	
<b>ELECTRIC CHAIN HOIST</b>					
WORK NO	WORK NAME			SCALE	Q' TY
	<b>LK-FDAM-1.5S</b>			1/1	1
DRAWN	CHECKED	REVIEWED	APPROVED	DRAWING NO	
김 창 기				CODE NO	
19.07.31					
<b>L K HOIST CO., LTD.</b>					

REV.NO	DATE	REVISION	DESCRIPTION	DRAWN	CHECKED	APPROVED