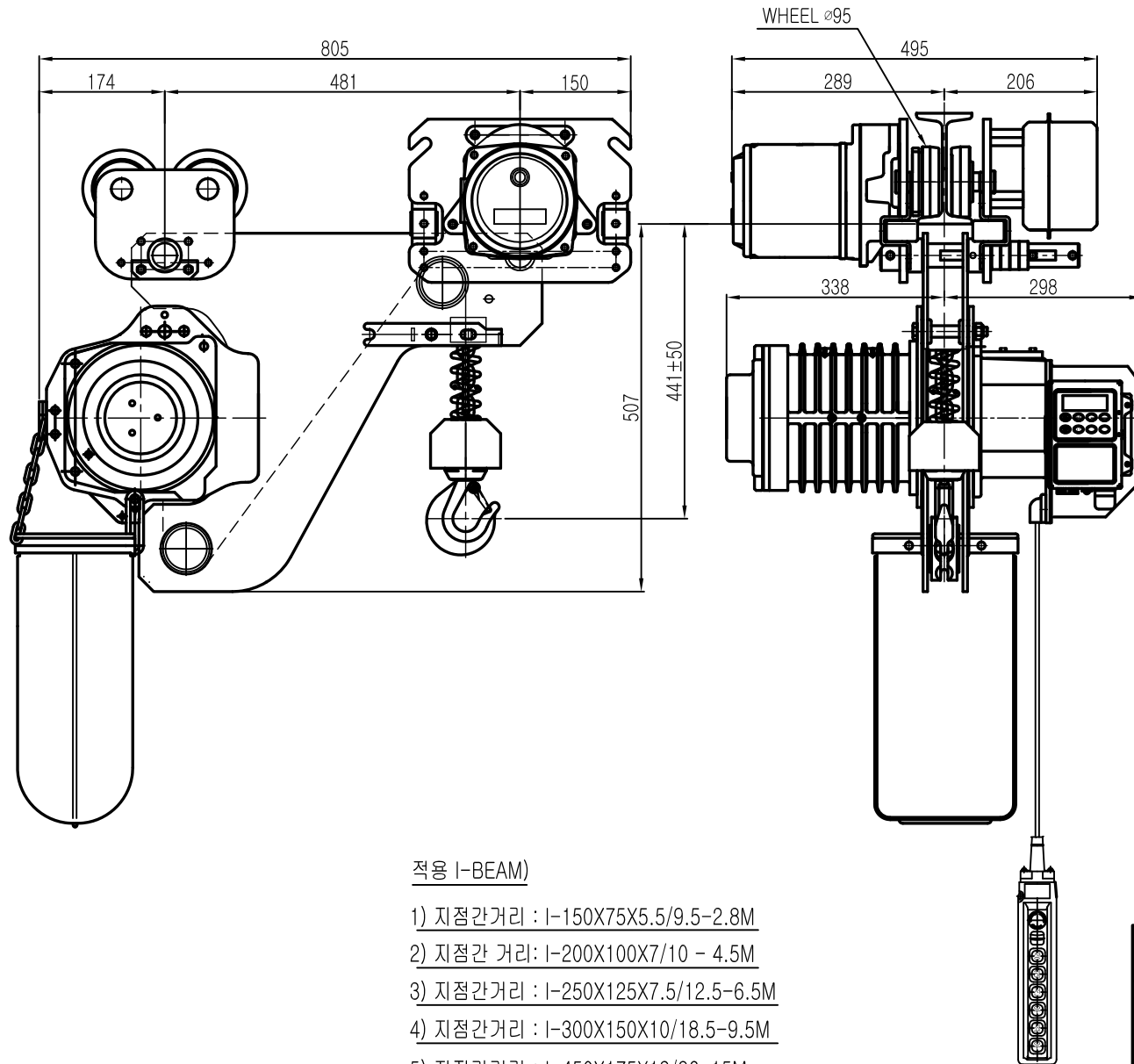


ON 5MG

L K HOIST

NO	DESCRIPTION	SIZE	MAT' L	Q' TY	WT (kg)	REMARKS
----	-------------	------	--------	-------	---------	---------



SPECIFICATION

		LK-SHDBM-1S		
RATED LOAD (TON)		1.0		
TESTING LOAD (TON)		1.25		
LIFTING HEIGHT (M)		50		
HOISTING	SPEED (M/MIN)	8.2/2.7		
	MOTOR (KW)	1.8/0.7kw x 2/6p		
TRAVERSING	SPEED (M/MIN)	22	14	22/7
	MOTOR (KW)	0.4kw x 4p	0.3kw x 6p	0.4/0.14kw x 4/12p
POWER SUPPLY		AC220.380.440.460.480Vx3ø x 60 Hz		
OPERATING METHOD		P.B type ON . FL		
LOAD CHAIN		ø7.1 X 21 (1FALL)		
WEIGHT (KG)		212		
I-BEAM 적용폭		75 ~ 175MM		

NOTE)

- 1)점검 설비를 갖출 것
- 2)인허가 서류를 완성검사시 제출 할 것

적용 I-BEAM)

- 1) 지점간거리 : I-150X75X5.5/9.5-2.8M
- 2) 지점간 거리: I-200X100X7/10 - 4.5M
- 3) 지점간거리 : I-250X125X7.5/12.5-6.5M
- 4) 지점간거리 : I-300X150X10/18.5-9.5M
- 5) 지점간거리 : I-450X175X13/26-15M

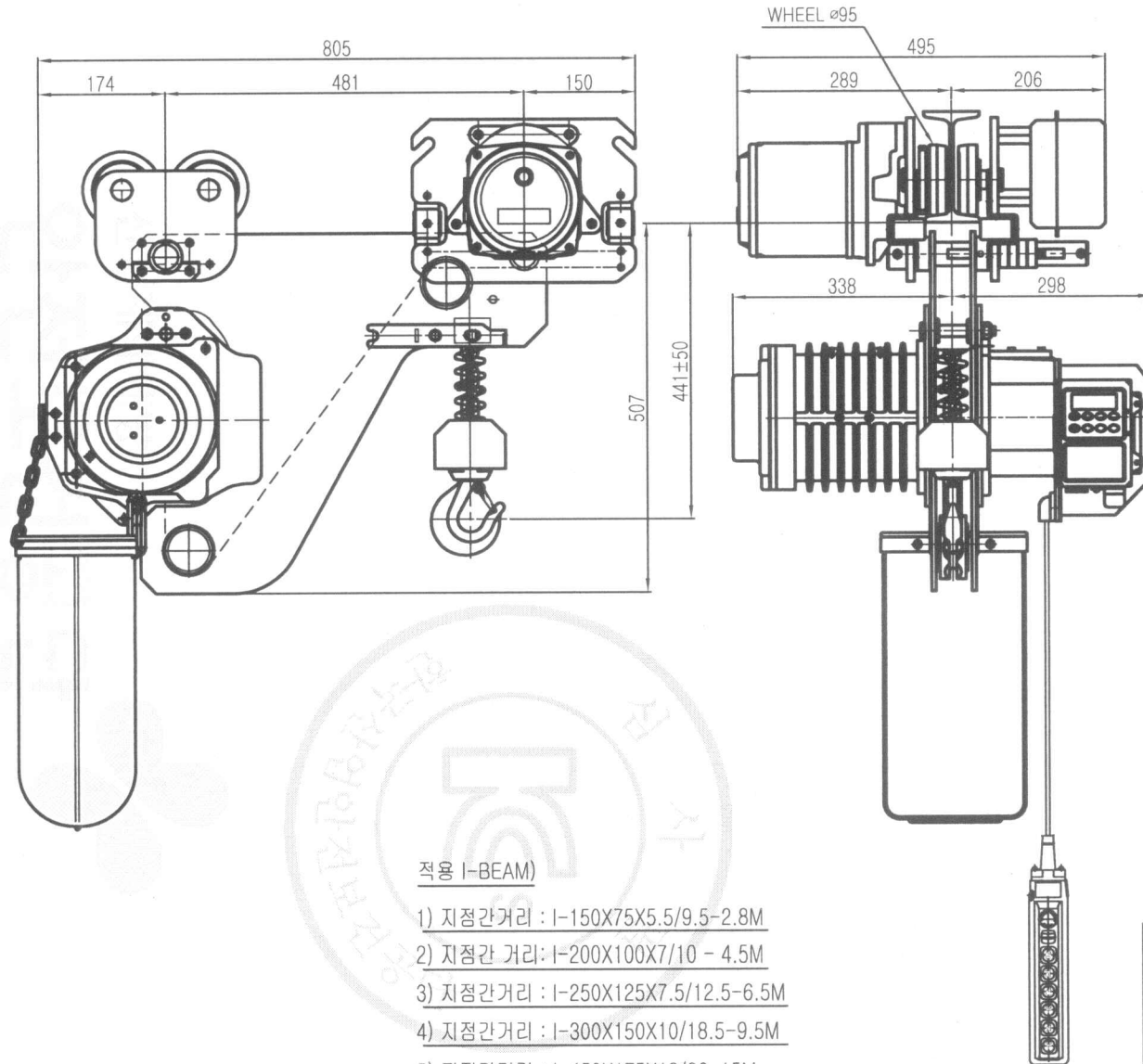
REV.NO	DATE	REVISION	DESCRIPTION	DRAWN	CHECKED	APPROVED
--------	------	----------	-------------	-------	---------	----------

TITLE					PROJECTION	
ELECTRIC CHAIN HOIST						
WORK NO	WORK NAME				SCALE	Q' TY
	LK-SHDBM-1S				N S	1
DRAWN	CHECKED	REVIEWED	APPROVED	DRAWING NO		
김 창 기				CORD NO		
2010.08.01						
L K HOIST CO., LTD.						

ON GMD

L K HOIST

NO	DESCRIPTION	SIZE	MAT L	Q' TY	WT (kg)	REMARKS
----	-------------	------	-------	-------	---------	---------



SPECIFICATION

		LK-SHDBM-1S		
RATED LOAD (TON)	1.0			
TESTING LOAD (TON)	1.25			
LIFTING HEIGHT (M)	50			
HOISTING	SPEED (M/MIN)	8.2/2.7		
	MOTOR (KW)	1.8/0.7kw x 2/6p		
TRAVERSING	SPEED (M/MIN)	22	14	22/7
	MOTOR (KW)	0.4kw x 4p	0.3kw x 6p	0.4/0.14kw x 4/12p
POWER SUPPLY	AC220.380.440.460.480Vx3ø x 60 Hz			
OPERATING METHOD	P.B type ON . FL			
LOAD CHAIN	ø7.1 X 21 (1FALL)			
WEIGHT (KG)	212			
I-BEAM 적용폭	75 ~ 175MM			

NOTE)

- 1)점검 설비를 갖춘 것
- 2)인허가 서류를 완성검사시 제출 할 것

적용 I-BEAM)

- 1) 지점간거리 : I-150X75X5.5/9.5-2.8M
- 2) 지점간 거리: I-200X100X7/10 - 4.5M
- 3) 지점간거리 : I-250X125X7.5/12.5-6.5M
- 4) 지점간거리 : I-300X150X10/18.5-9.5M
- 5) 지점간거리 : I-450X175X13/26-15M

REV.NO	DATE	REVISION	DESCRIPTION	DRAWN	CHECKED	APPROVED
--------	------	----------	-------------	-------	---------	----------

TITLE					PROJECTION	
ELECTRIC CHAIN HOIST						
WORK NO	WORK NAME			SCALE	Q' TY	
	LK-SHDBM-1S			N S	1	
DRAWN	CHECKED	REVIEWED	APPROVED	DRAWING NO		
감 창 기				CORD NO		
2010.08.01						
L K HOIST CO., LTD.						

불법복제 및 배포금지