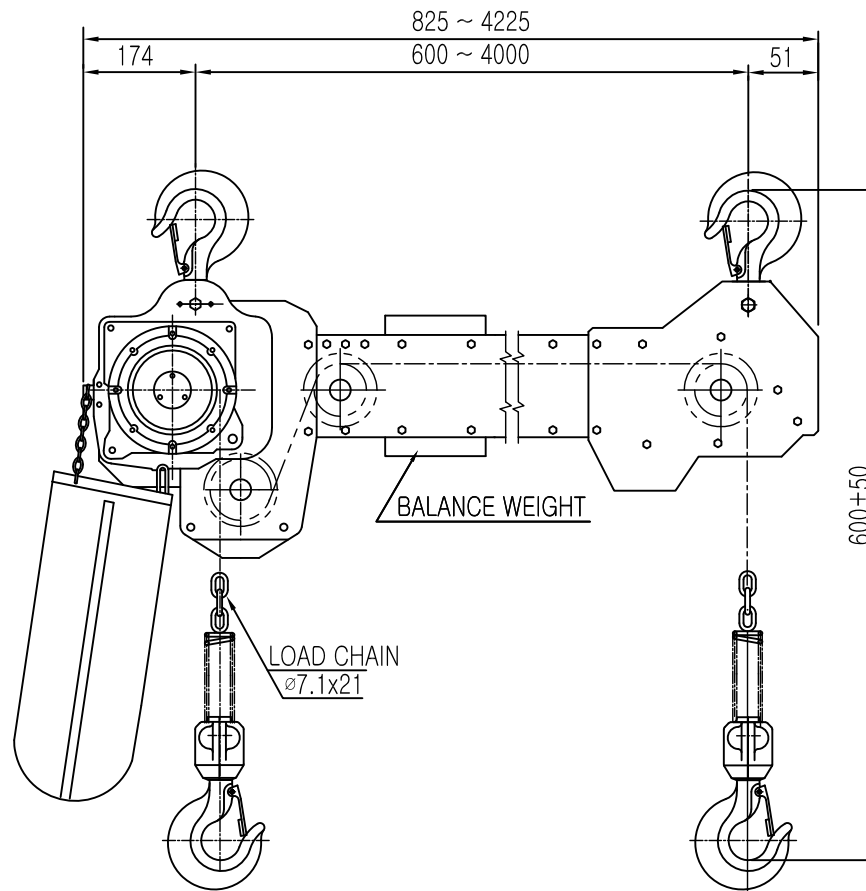
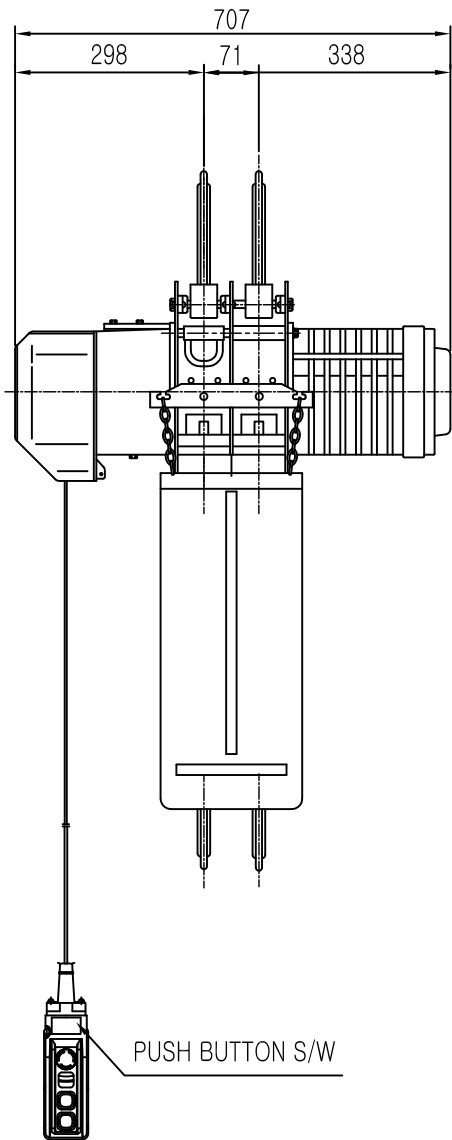


ON GMD

L K HOIST

NO	DESCRIPTION	SIZE	MAT' L	Q' TY	WT (kg)	REMARKS



SPECIFICATION	
RATED	0.5 TON
TESTING LOAD	0.625 TON
LIFTING HEIGHT	50 M
HOISTING	SPEED 8.2/2.7 M/MIN
	MOTOR 1.8/0.7KW x 2/6P
TRAVERSING	SPEED -
	MOTOR -
POWER SUPPLY	AC220,380,440,460,480 V x 3ø x 60 Hz
OPERATING METHOD	P.B type ON . FL
LOAD CHAIN	ø7.1 x 21 (1FALL)
WIEGHT	297 KG

NOTE)

- 1) 점검 설비를 갖출것.
- 2) 인허가 서류를 완성검사시 제출할것.

REV.NO	DATE	REVISION	DESCRIPTION	DRAWN	CHECKED	APPROVED

TITLE					PROJECTION	
DHDB-0.5S ELECTRIC CHAIN HOIST						
WORK NO	WORK NAME				SCALE	Q' TY
	HOOK TYPE				N S	1
DRAWN	CHECKED	REVIEWED	APPROVED	DRAWING NO		
김 창 기				CORD NO		
2010.08.01						

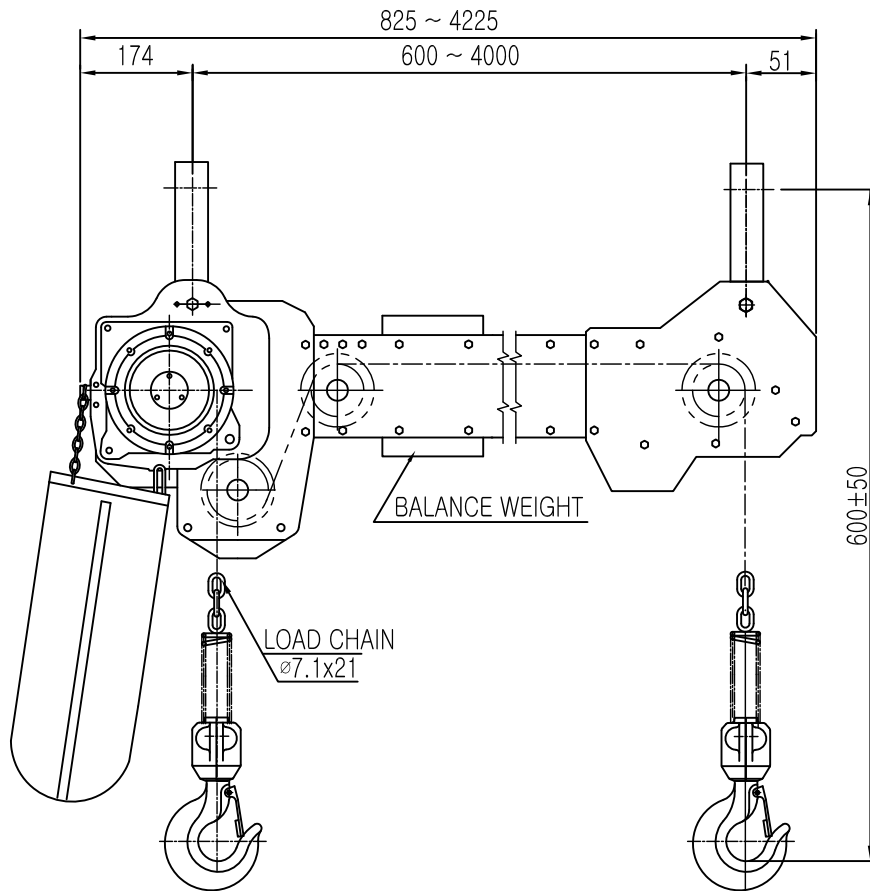
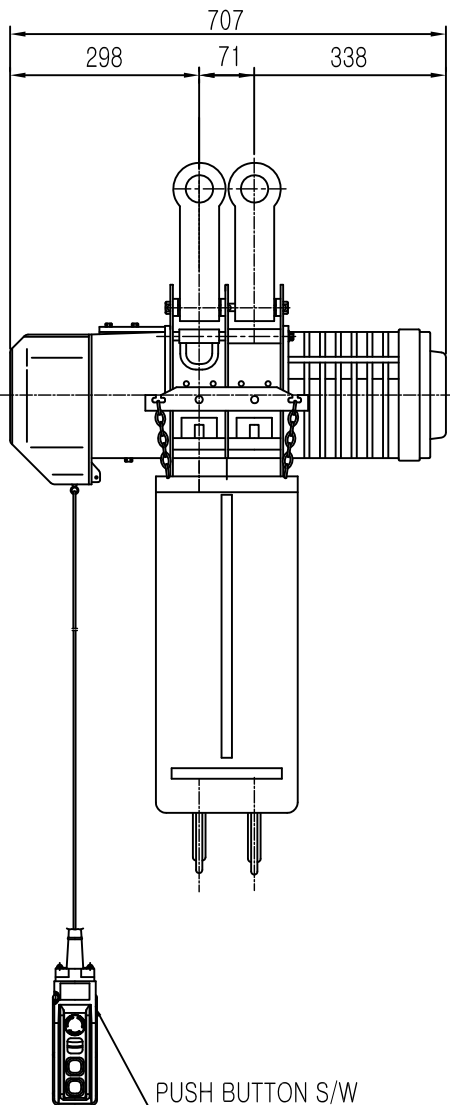


L K HOIST CO., LTD.

ON 9MG

L K HOIST

NO	DESCRIPTION	SIZE	MAT' L	Q' TY	WT (kg)	REMARKS



SPECIFICATION		
RATED	0.5	TON
TESTING LOAD	0.625	TON
LIFTING HEIGHT	50	M
HOISTING	SPEED	8.2/2.7 M/MIN
	MOTOR	1.8/0.7KW x 2/6P
TRAVERSING	SPEED	-
	MOTOR	-
POWER SUPPLY	AC220,380,440,460,480 V x 3ø x 60 Hz	
OPERATING METHOD	P.B type ON . FL	
LOAD CHAIN	ø7.1 x 21 (1FALL)	
WIEGHT	297 KG	

TITLE					PROJECTION	
DHDB-0.5S ELECTRIC CHAIN HOIST						
WORK NO	WORK NAME			SCALE	Q' TY	
	CONNECTOR TYPE			N S	1	
DRAWN	CHECKED	REVIEWED	APPROVED	DRAWING NO		
김 창 기						
2010.08.01				CORD NO		

REV.NO	DATE	REVISION	DESCRIPTION	DRAWN	CHECKED	APPROVED



L K HOIST CO., LTD.