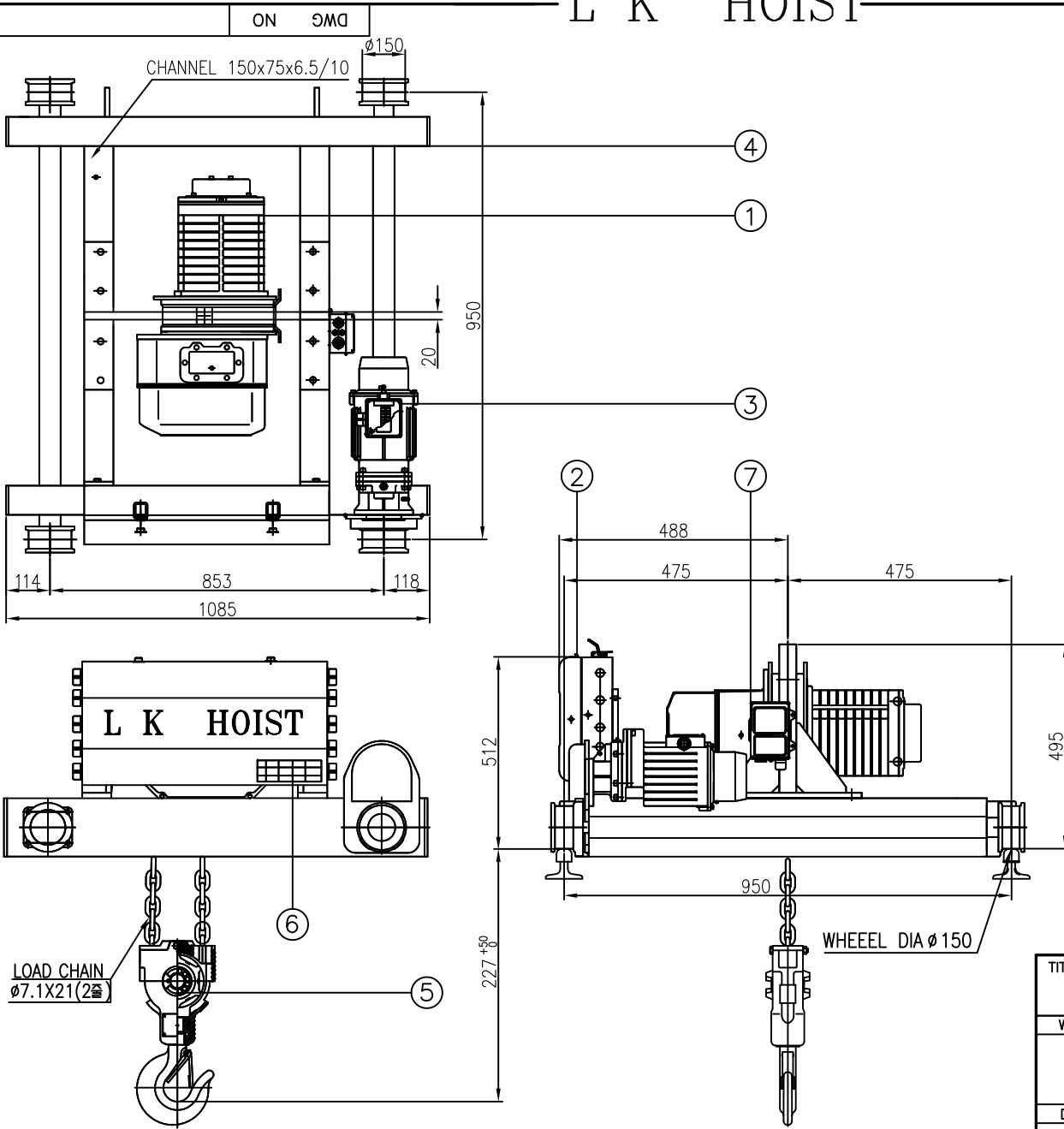


L K HOIST



	DESCRIPTION	SIZE	MAT'	REMARKS
1	HOISTING MOTOR ASS'Y		1	
2	HOISTING CONTROL ASS'Y		1	
3	GEARD MOTOR ASS'Y		1	
4	GRAB PART ASS'Y		1	
5	BOTTOM HOOK ASS'Y		1	
6	NAME PLATE		1	
7	LOAD LIMITEER		1	

SPECIFICATION			
RATED LOAD	1.9 TON		
TESTING LOAD	2.375 TON		
LIFTING HEIGHT	30 M		
HOISTING SPEED/MOTOR	4.1m/min	1.8KW(4P)	
TRAVERSING SPEED/MOTOR	24m/min	0.75KW(4P)	
	16m/min	0.5KW(6P)	
	17/5.4m/min * 0.75/0.25kw * 4/12p		
POWER SUPPLY	AC220,380,440,460V,480V x 3φ x 60 Hz		
OPERATING METHOD	P.B type ON . FL		
WIEGHT	238kg		
RAIL	15KG/M		
CHAIN 사양	φ7.1 X 21(2줄)		
RAIL GgeR	950		

NOTE)
 1.점검 설비를 갖출 것.
 2.인허가 서류를 완성 검사시 제출 할 것.

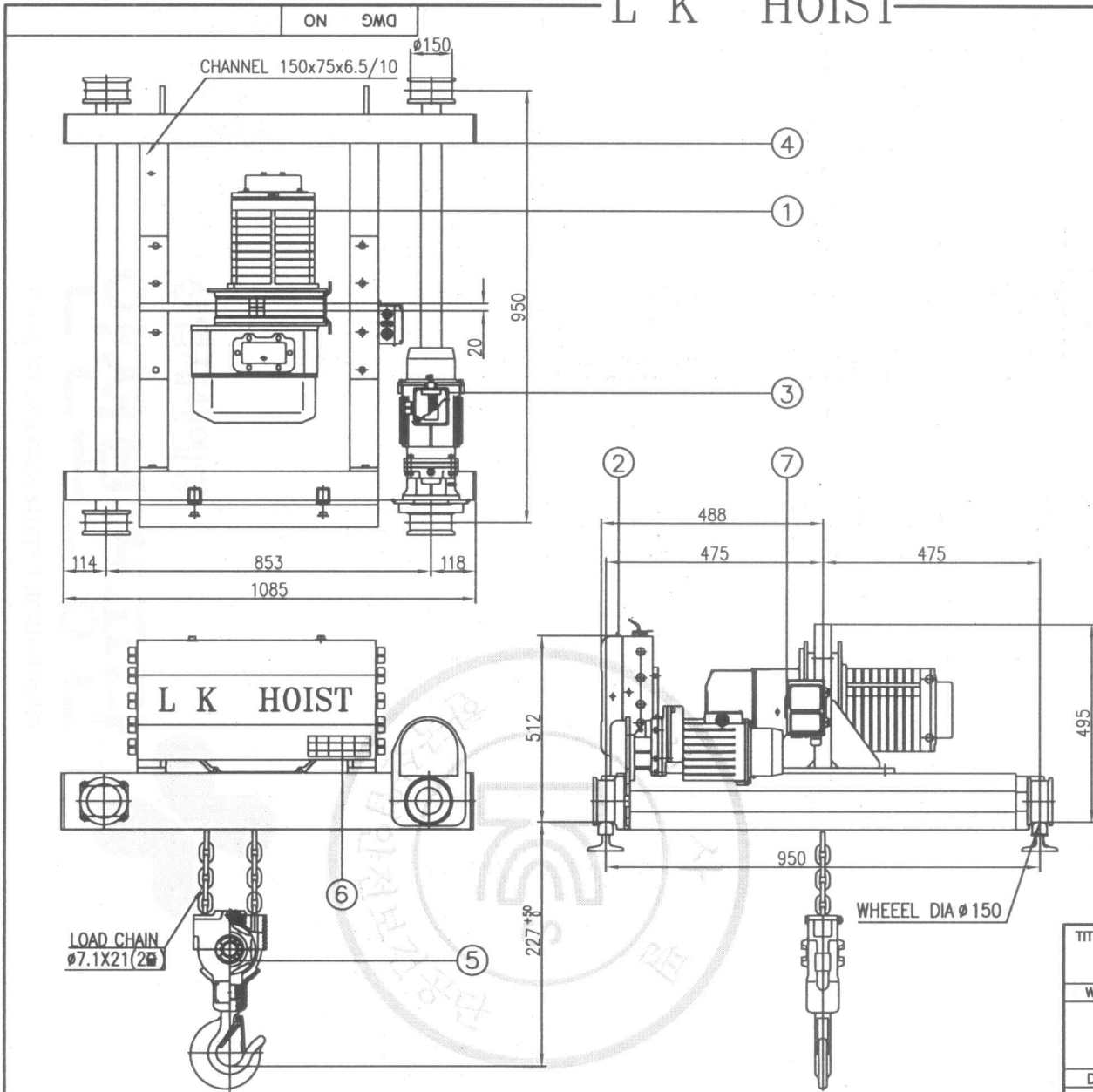
TITLE				DAD-1.9W CHAIN HOIST		PROJECTION	
WORK NO				WORK NAME		SCALE Q' TY	
				LK-DAD-1.9W			
DRAWN	CHECKED	REVIEWED	APPROVED	DRAWING NO			
김창기				CODE NO			
2010.09.16							

가공별	치수	3-6	6-30	30-120	120-315	315-1000
선	삭	±0.1	±0.2	±0.3	±0.5	±0.8
구멍간	거리					

REV.NO	DATE	REVISION	DESCRIPTION	DRAWN	CHECKED	APPROVED

LK L K HOIST CO., LTD.

L K HOIST



	DESCRIPTION	SIZE	MAT'	REMARKS
1	HOISTING MOTOR ASS'Y		1	
2	HOISTING CONTROL ASS'Y		1	
3	GEARD MOTOR ASS'Y		1	
4	GRAB PART ASS'Y		1	
5	BOTTOM HOOK ASS'Y		1	
6	NAME PLATE		1	
7	LOAD LIMITEER		1	

SPECIFICATION			
RATED LOAD	1.9 TON		
TESTING LOAD	2.375 TON		
LIFTING HEIGHT	30 M		
HOISTING SPEED/MOTOR	4.1m/min	1.8KW(4P)	
	24m/min	0.75KW(4P)	
TRAVERSING SPEED/MOTOR	16m/min	0.5KW(6P)	
	17/5.4m/min * 0.75/0.25kw * 4/12p		
POWER SUPPLY	AC220,380,440,460V,480V x 3φ x 60 Hz		
OPERATING METHOD	P.B type ON . FL		
WIEGHT	238kg		
RAIL	15KG/M		
CHAIN 사양	φ7.1 X 21(2φ)		
RAIL GgeR	950		

- NOTE)
1. 점검 설비를 갖출 것.
 2. 인허가 서류를 완성 검사시 제출 할 것.

TITLE		DAD-1.9W CHAIN HOIST		PROJECTION	
WORK NO	WORK NAME				
	LK-DAD-1.9W			SCALE	Q' TY

DRAWN	CHECKED	REVIEWED	APPROVED	DRAWING NO
김창기				
2010.09.16				CODE NO

가공별	치수	3-6	6-30	30-120	120-315	315-1000
선	삭	±0.1	±0.2	±0.3	±0.5	±0.8
구멍간	거리	±0.1	±0.2	±0.3	±0.5	±0.8

REV.NO	DATE	REVISION	DESCRIPTION	DRAWN	CHECKED	APPROVED

L K L K HOIST CO., LTD.

열린기업의 새로운 도전