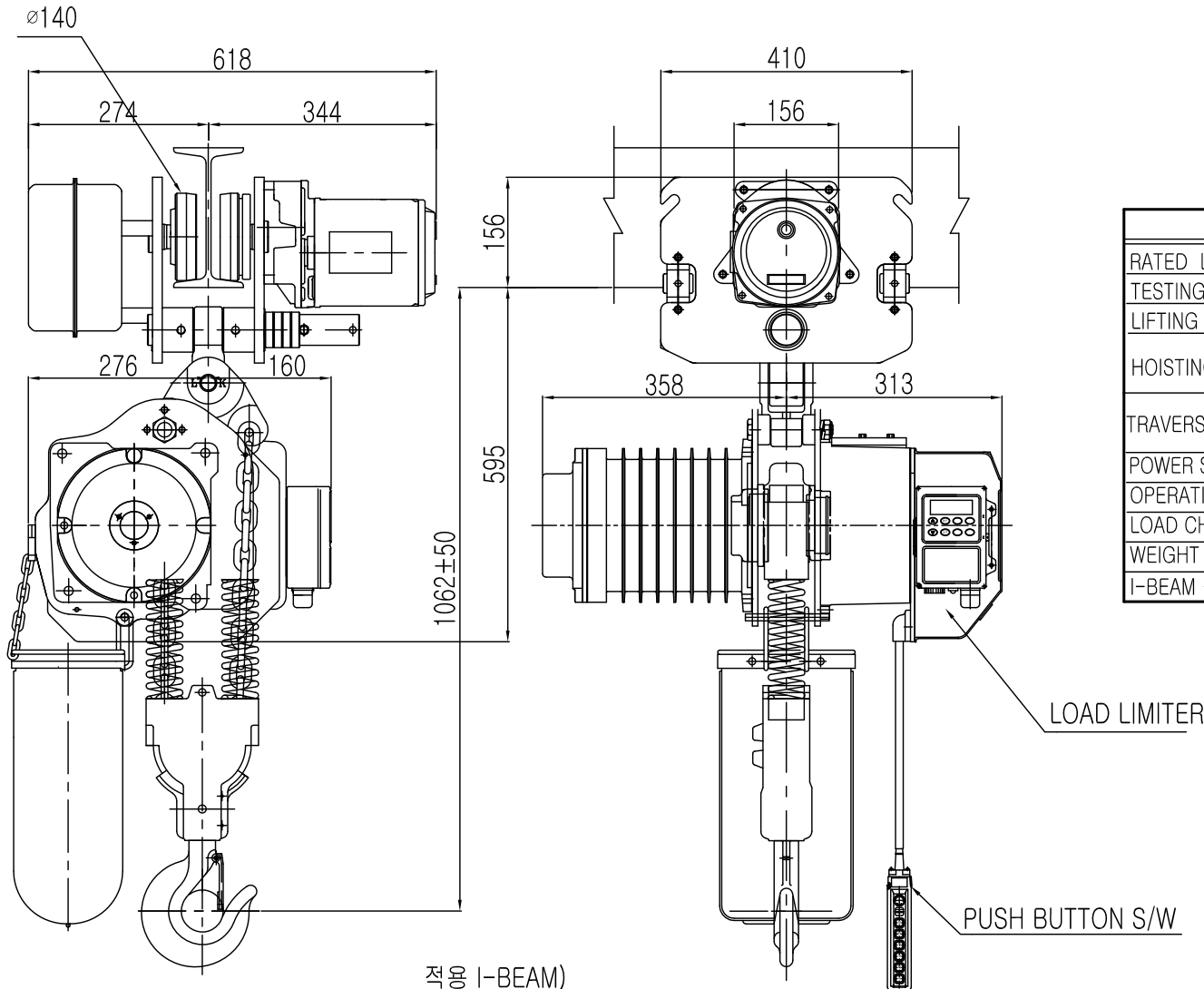


L K HOIST

NO	DESCRIPTION	SIZE	MAT' L	Q' TY	WT (kg)	REMARKS



SPECIFICATION

		LK-DAM-4.9W		
RATED LOAD (TON)		4.9		
TESTING LOAD (TON)		6.125		
LIFTING HEIGHT (M)		50		
HOISTING	SPEED (M/MIN)	3.25		
	MOTOR (KW)	3.5kw x 4p		
TRAVERSING	SPEED (M/MIN)	20	14	20/7
	MOTOR (KW)	0.75kw x 4p	0.4kw x 6p	0.75/0.25kw x 4/12p
POWER SUPPLY		AC220.380.440.460.480Vx3φ x 60 Hz		
OPERATING METHOD		P.B type ON . FL		
LOAD CHAIN		φ11.2 X 34(2FALL)		
WEIGHT (KG)		500KG		
I-BEAM 적용폭		125 ~ 190MM		

적용 I-BEAM)

- 1) 지점간거리 : I-250X125X7.5/12.5-2.5M
- 2) 지점간거리 : I-300X150X10/18.5-5.0M
- 3) 지점간거리 : I-450X175X13/26-9.0M
- 4) 지점간거리 : I-600X190X13/25-12M

NOTE)

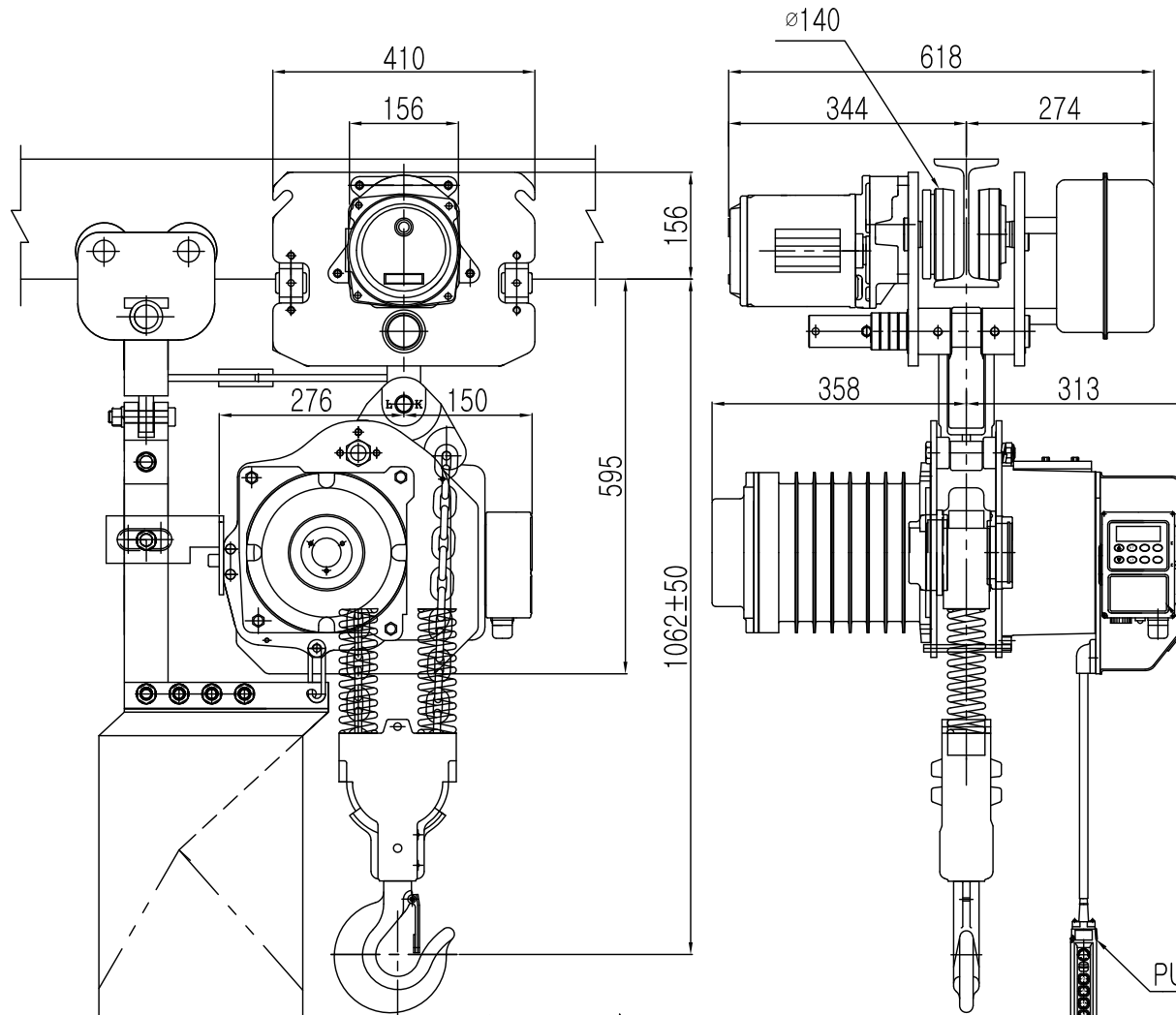
- 1) 점검 설비를 갖출 것
- 2) 인허가 서류를 완성검사시 제출 할 것

TITLE					PROJECTION	
ELECTRIC CHAIN HOIST						
WORK NO	WORK NAME				SCALE	Q' TY
	LK-DAM-4.9W				N/S	1
DRAWN	CHECKED	REVIEWED	APPROVED	DRAWING NO		
김 창 기				CODE NO		
2010.08.01						

REV.NO	DATE	REVISION DESCRIPTION	DRAWN	CHECKED	APPROVED

L K HOIST

NO	DESCRIPTION	SIZE	MAT'L	Q'TY	WT (kg)	REMARKS



SPECIFICATION

		LK-DAM-4.9W		
RATED LOAD	(TON)	4.9		
TESTING LOAD	(TON)	6.125		
LIFTING HEIGHT	(M)	50		
HOISTING	SPEED (M/MIN)	3.25		
	MOTOR (KW)	3.5kw x 4p		
TRAVERSING	SPEED (M/MIN)	20	14	20/7
	MOTOR (KW)	0.75kw x 4p	0.4kw x 6p	0.75/0.25kw x 4/12p
POWER SUPPLY	AC220.380.440.460.480Vx3φ x 60 Hz			
OPERATING METHOD	P.B type ON . FL			
LOAD CHAIN	φ11.2 X 34(2FALL)			
WEIGHT	(KG)	500KG		
I-BEAM 적용폭	125 ~ 190MM			

- 적용 I-BEAM)
- 1) 지점간거리 : I-250X125X7.5/12.5-2.5M
 - 2) 지점간거리 : I-300X150X10/18.5-5.0M
 - 3) 지점간거리 : I-450X175X13/26-9.0M
 - 4) 지점간거리 : I-600X190X13/25-12M

NOTE)

- 1) 점검 설비를 갖출 것
- 2) 인허가 서류를 완성검사서 제출 할 것

TITLE				PROJECTION	
ELECTRIC CHAIN HOIST					
WORK NO	WORK NAME			SCALE	Q' TY
	LK-DAM-4.9W				1
DRAWN	CHECKED	REVIEWED	APPROVED	DRAWING NO	
김 창 기				CODE NO	
2010.08.01					

REV.NO	DATE	REVISION	DESCRIPTION	DRAWN	CHECKED	APPROVED