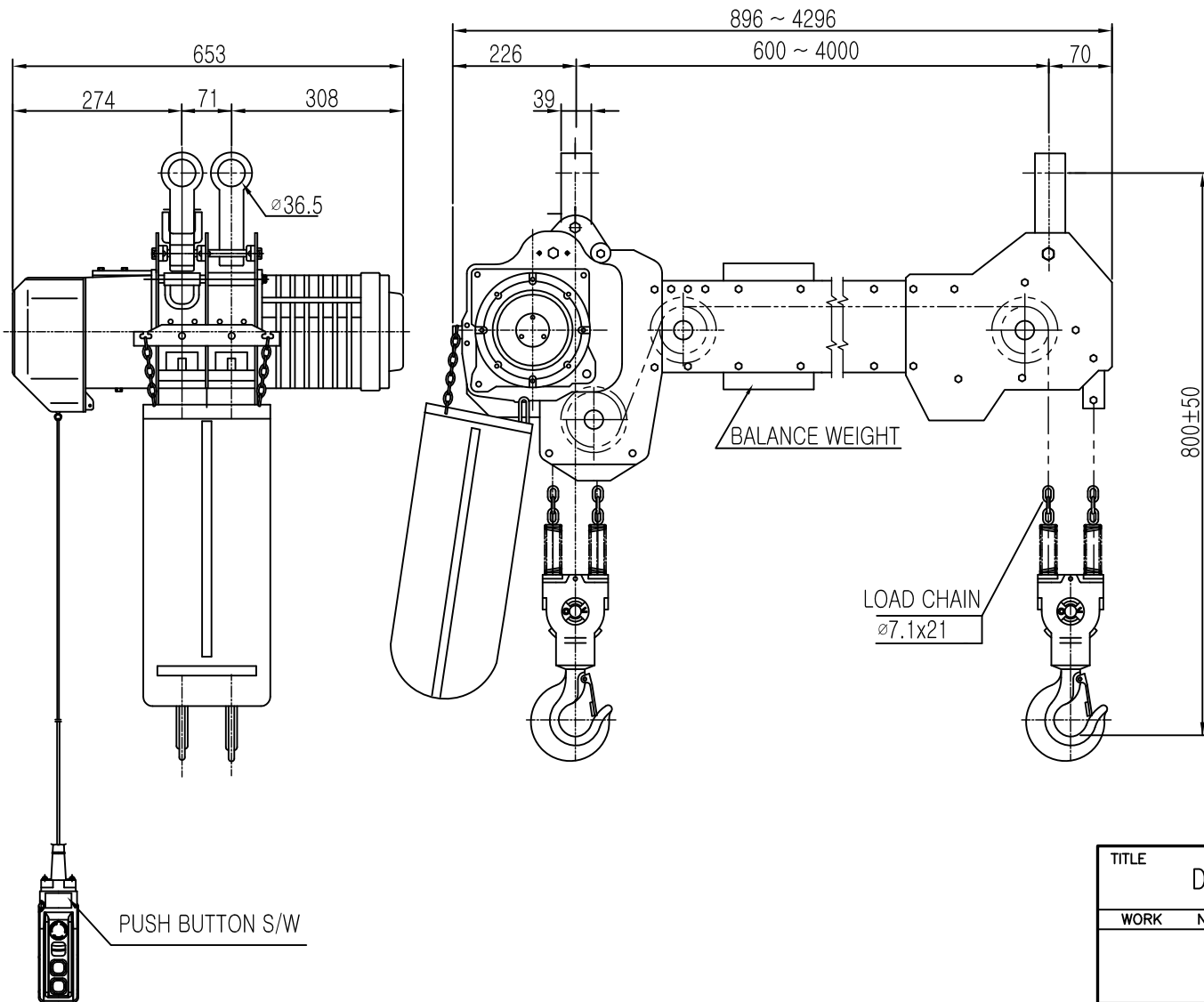


ON 5MD

L K HOIST

NO	DESCRIPTION	SIZE	MAT' L	Q' TY	WT (kg)	REMARKS



SPECIFICATION		
RATED	2.0	TON
TESTING LOAD	2.5	TON
LIFTING HEIGHT	50	M
HOISTING	SPEED	4.1 M/MIN
	MOTOR	1.8 KW x 4P
TRAVERSING	SPEED	-
	MOTOR	-
POWER SUPPLY	AC220,380,440,460,480 V x 3 ϕ x 60 Hz	
OPERATING METHOD	P.B type ON . FL	
LOAD CHAIN	$\phi 7.1 \times 21$ (2FALL)	
WIEGHT	456 KG	

NOTE)

- 1) 점검 설비를 갖출것.
- 2) 인허가 서류를 완성검사시 제출할것.

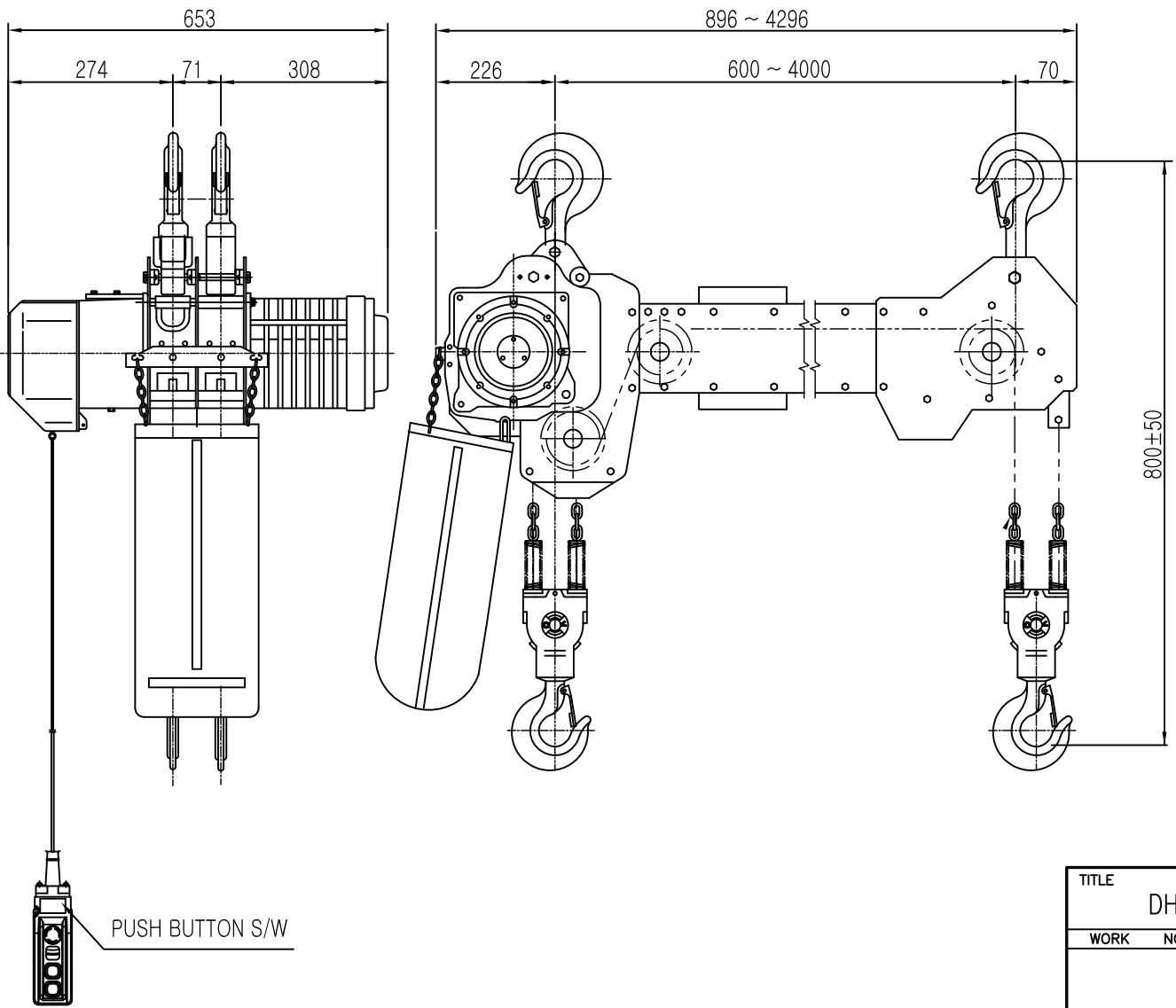
REV.NO	DATE	REVISION	DESCRIPTION	DRAWN	CHECKED	APPROVED

TITLE					PROJECTION	
DHDA-2W ELECTRIC CHAIN HOIST						
WORK NO	WORK NAME			SCALE	Q' TY	
	CONNECTOR TYPE			N.S	1	
DRAWN	CHECKED	REVIEWED	APPROVED	DRAWING NO	CORD NO	
김창기						
2010.08.01						

L K HOIST

ON 0M0

NO	DESCRIPTION	SIZE	MAT' L	Q' TY	WT (kg)	REMARKS



SPECIFICATION		
RATED	2.0	TON
TESTING LOAD	2.5	TON
LIFTING HEIGHT	50	M
HOISTING	SPEED	4.1 M/MIN
	MOTOR	1.8 KW x 4P
TRAVERSING	SPEED	-
	MOTOR	-
POWER SUPPLY	AC220,380,440,460,480 V x 3φ x 60 Hz	
OPERATING METHOD	P.B type ON . FL	
LOAD CHAIN	ø7.1 x 21 (2FALL)	
WIEGHT	456 KG	

- NOTE)
 1) 점검 설비를 갖출것.
 2) 인허가 서류를 완성검사시 제출할것.

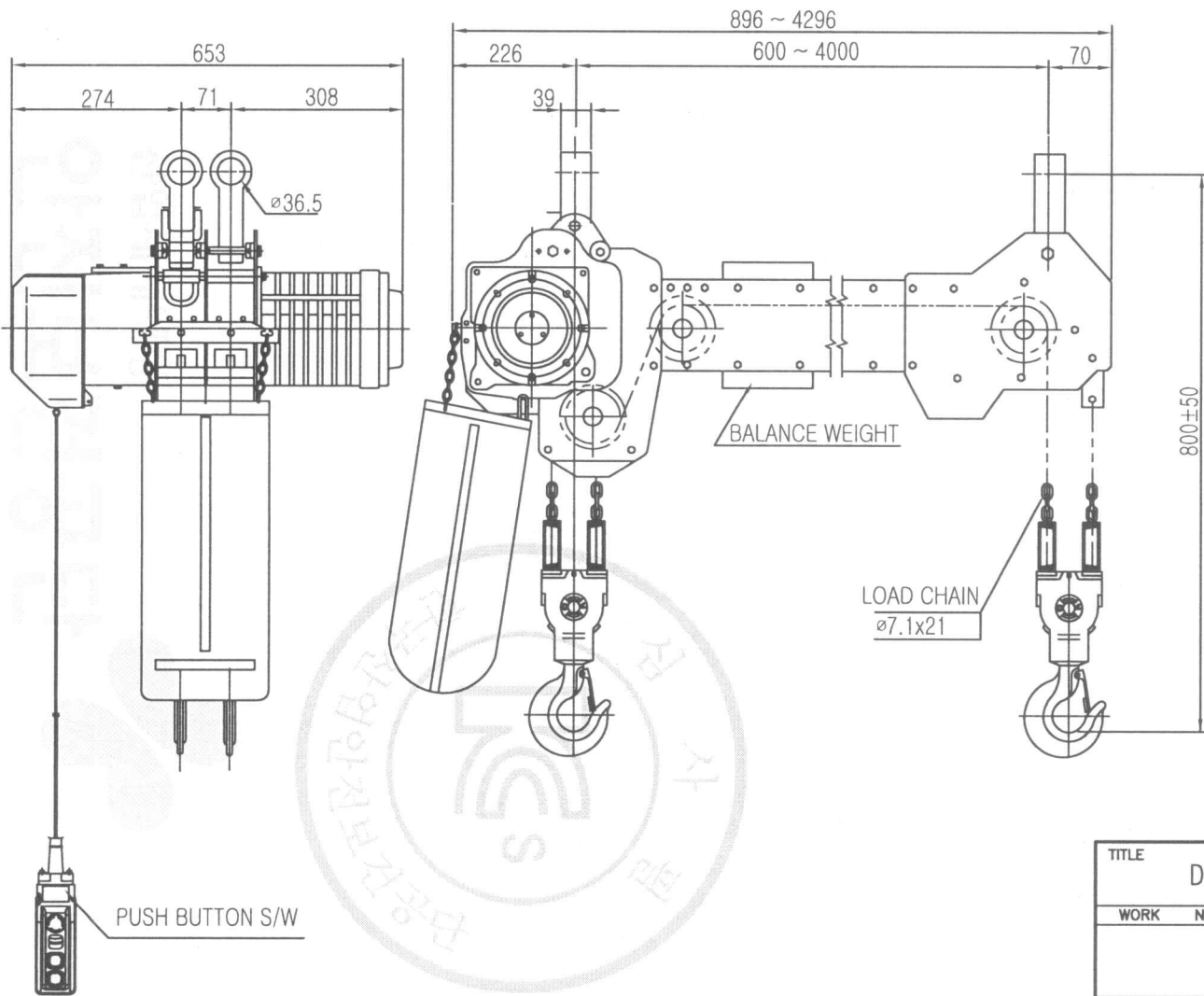
REV.NO	DATE	REVISION	DESCRIPTION	DRAWN	CHECKED	APPROVED

TITLE					DHDA-2W ELECTRIC CHAIN HOIST		PROJECTION	
WORK NO					WORK NAME			
HOOK TYPE					SCALE		Q' TY	
					N.S		1	
DRAWN	CHECKED	REVIEWED	APPROVED	DRAWING NO				
김창기				CORD NO				
2010.08.01								
L K HOIST CO., LTD.								

ON 9MG

L K HOIST

NO	DESCRIPTION	SIZE	MAT L	Q' TY	WT (kg)	REMARKS



SPECIFICATION		
RATED	2.0	TON
TESTING LOAD	2.5	TON
LIFTING HEIGHT	50	M
HOISTING	SPEED	4.1 M/MIN
	MOTOR	1.8 KW x 4P
TRAVERSING	SPEED	-
	MOTOR	-
POWER SUPPLY	AC220,380,440,460,480 V x 3 ϕ x 60 Hz	
OPERATING METHOD	P.B type ON . FL	
LOAD CHAIN	$\phi 7.1 \times 21$ (2FALL)	
WIEGHT	456 KG	

NOTE)

- 1) 점검 설비를 갖출것.
- 2) 인허가 서류를 완성검사시 제출할것.

물범복제 및 배포금지

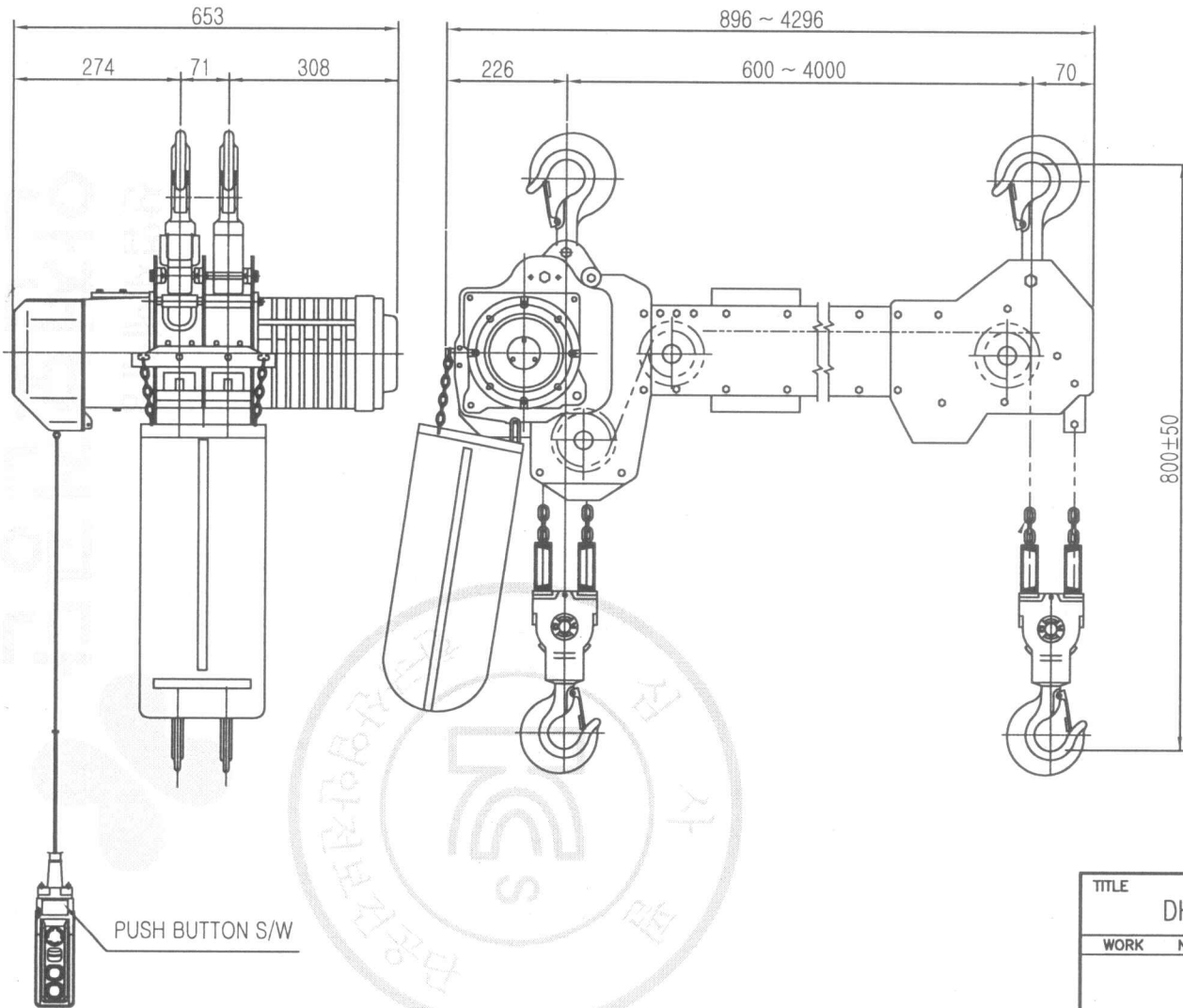
REV.NO	DATE	REVISION DESCRIPTION	DRAWN	CHECKED	APPROVED

TITLE						PROJECTION	
DHDA-2W ELECTRIC CHAIN HOIST							
WORK NO	WORK NAME					SCALE	Q' TY
	CONNECTOR TYPE					N.S	1
DRAWN	CHECKED	REVIEWED	APPROVED	DRAWING NO			
김창기							
2010.08.01				CORD NO			
L K HOIST CO., LTD.							

L K HOIST

ON 9MD

NO	DESCRIPTION	SIZE	MAT'L	Q'TY	WT (kg)	REMARKS



SPECIFICATION		
RATED	2.0	TON
TESTING LOAD	2.5	TON
LIFTING HEIGHT	50	M
HOISTING	SPEED	4.1 M/MIN
	MOTOR	1.8 KW x 4P
TRAVERSING	SPEED	-
	MOTOR	-
POWER SUPPLY	AC220,380,440,460,480 V x 3φ x 60 Hz	
OPERATING METHOD	P.B type ON . FL	
LOAD CHAIN	φ7.1 x 21 (2FALL)	
WIEGHT	456 KG	

NOTE)

- 1) 점검 설비를 갖출것.
- 2) 인허가 서류를 완성검사시 제출할것.

물범복제 및 배포금지

REV.NO	DATE	REVISION	DESCRIPTION	DRAWN	CHECKED	APPROVED

TITLE					PROJECTION	
DHDA-2W ELECTRIC CHAIN HOIST						
WORK NO	WORK NAME				SCALE	Q'TY
	HOOK TYPE				N.S	1
DRAWN	CHECKED	REVIEWED	APPROVED	DRAWING NO		
김 창 기				CORD NO		
2010.08.01						
L K HOIST CO., LTD.						