

-NOTE-

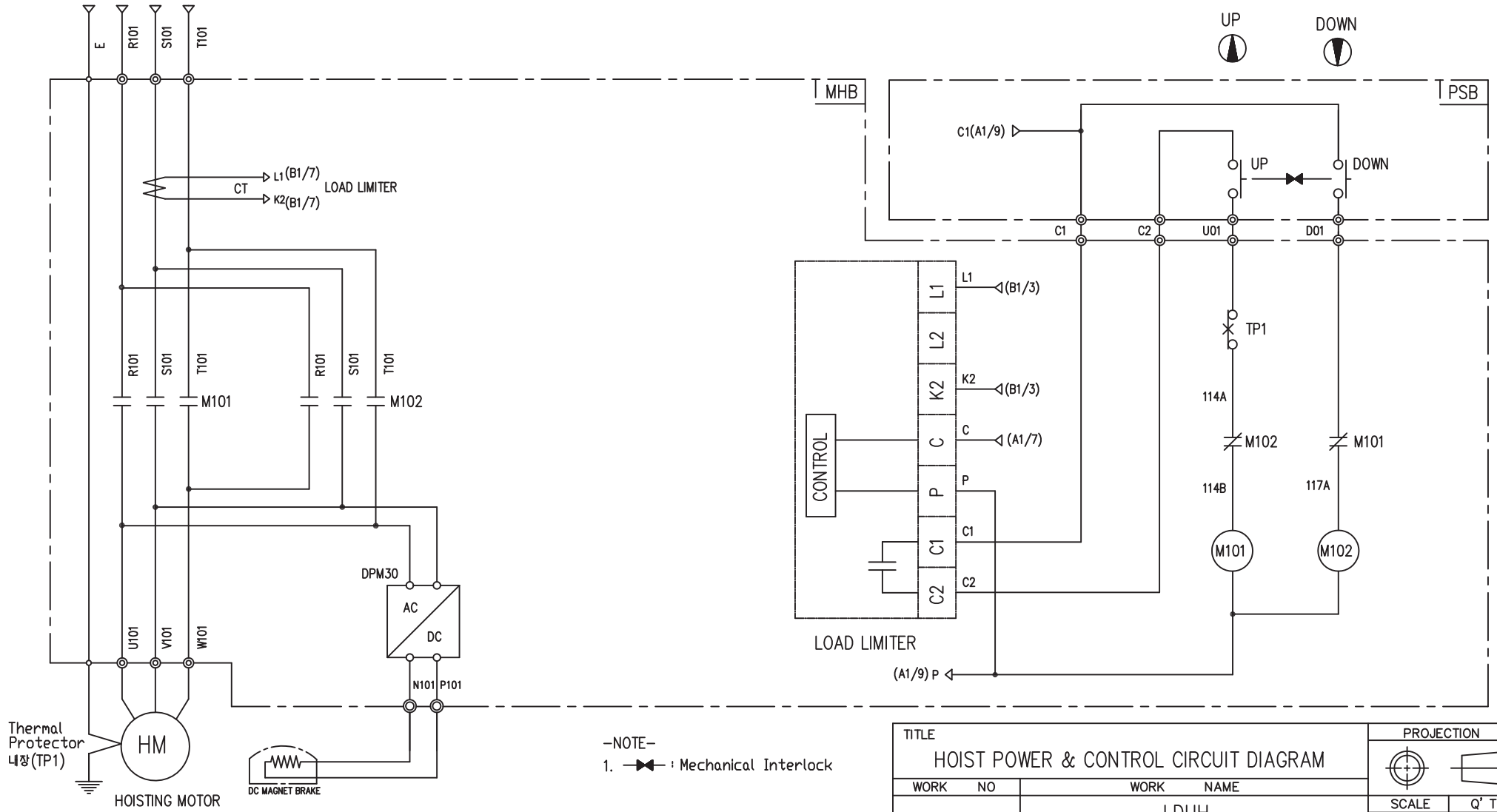
1. ----- MARKER OWNER SCOPE
2. 24V인 경우 F21는 3A 적용

SPECIFICATION	NO FUSE BREAKER	MAGNET CONTACT		TRANSFORMER	FUZE
SYMBOLS	MCCB0	M0		TR10	F11, F12, F21
DESCRIPTION	220V	20A	GMC18	DMC18	30VA
	380V	10A			
	440V	10A			
	460V	10A			
	480V	10A			
MAKER	LS	LS	DONGA	LK	-

TITLE MAIN POWER & CONTROL CIRCUIT DIAGRAM				PROJECTION	
WORK NO		WORK NAME		SCALE	Q' TY
601		LDUH		1/1	1
220V, 380V, 440V, 460V, 480V		DRAWN		DRAWING NO	
LEE.G.H		CHECKED		CODE NO	
2010.10.13		REVIEWED		APPROVED	
L K HOIST CO., LTD.					

HOISTING POWER
(A1/3)(A1/3)(A1/3)(A1/3)

--- PENDANT SWITCH ---



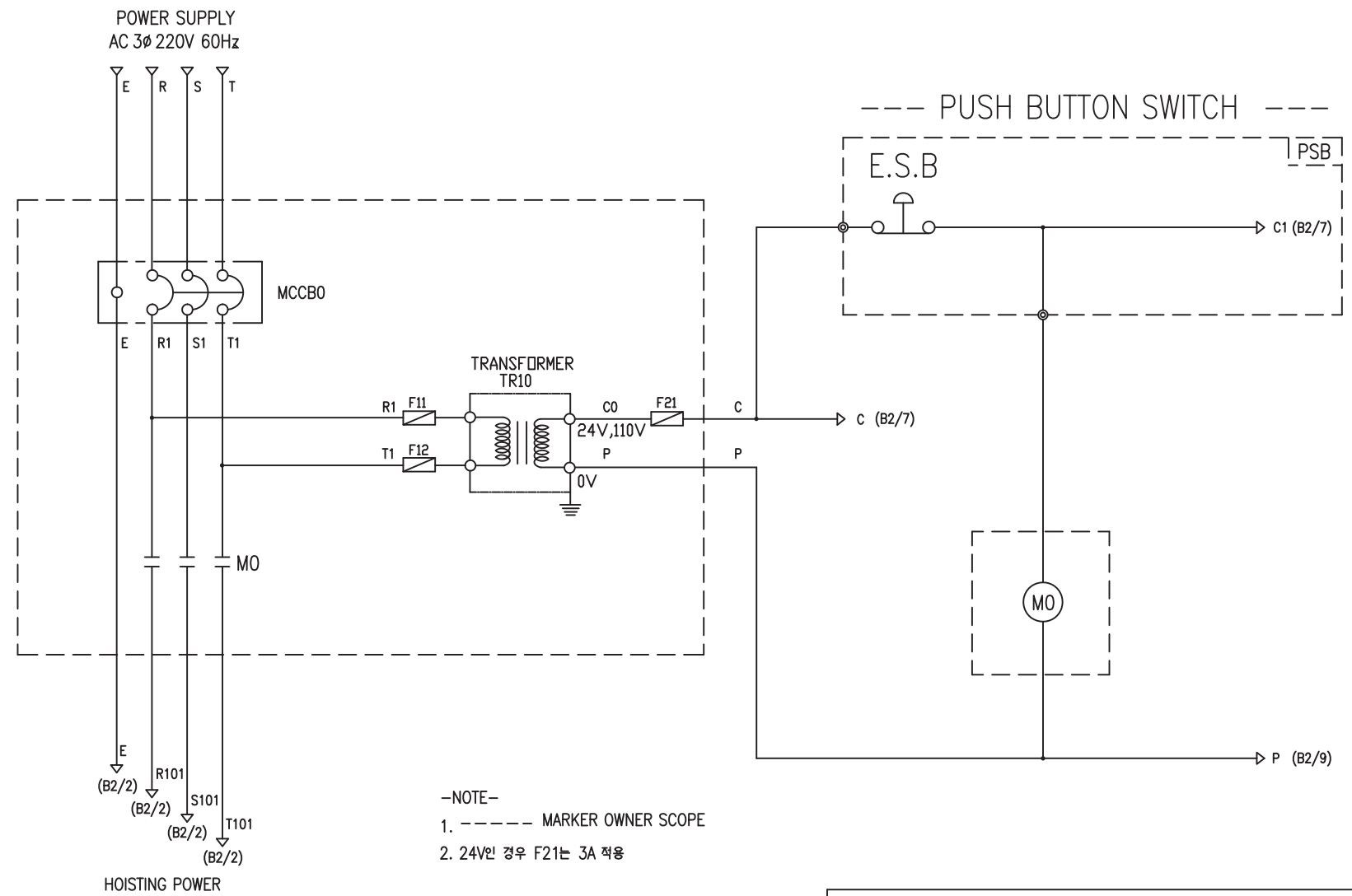
-NOTE-
1. : Mechanical Interlock

SPECIFICATION	MAGNET CONTACT	SILICON RECTIFIER				LOAD LIMITER	Thermal Protector	HOIST MOTOR
SYMBOLS	M101, M102	DPM30				-	TP1	HM
		AC220V	AC440V	AC460V	AC480V			
DESCRIPTION	GMC12 DMC12	DC99V	DC198V	DC207V	DC216V	LKDL-501	17AM032	1.8Kw * 6P
MAKER	LS DONGA	LK				LK	Texas Instruments	LK

TITLE HOIST POWER & CONTROL CIRCUIT DIAGRAM						PROJECTION 	
WORK NO. 602		WORK NAME LDUH				SCALE 1/1	Q' TY 1
220V, 440V, 460V, 480V							
DRAWN LEE.G.H	CHECKED	REVIEWED	APPROVED	MODEL	CODE NO		
2010.10.13							
L K HOIST CO., LTD.							

POWER CIRCUIT

CONTROL CIRCUIT



- NOTE-
1. ----- MARKER OWNER SCOPE
 2. 24V인 경우 F21는 3A 적용

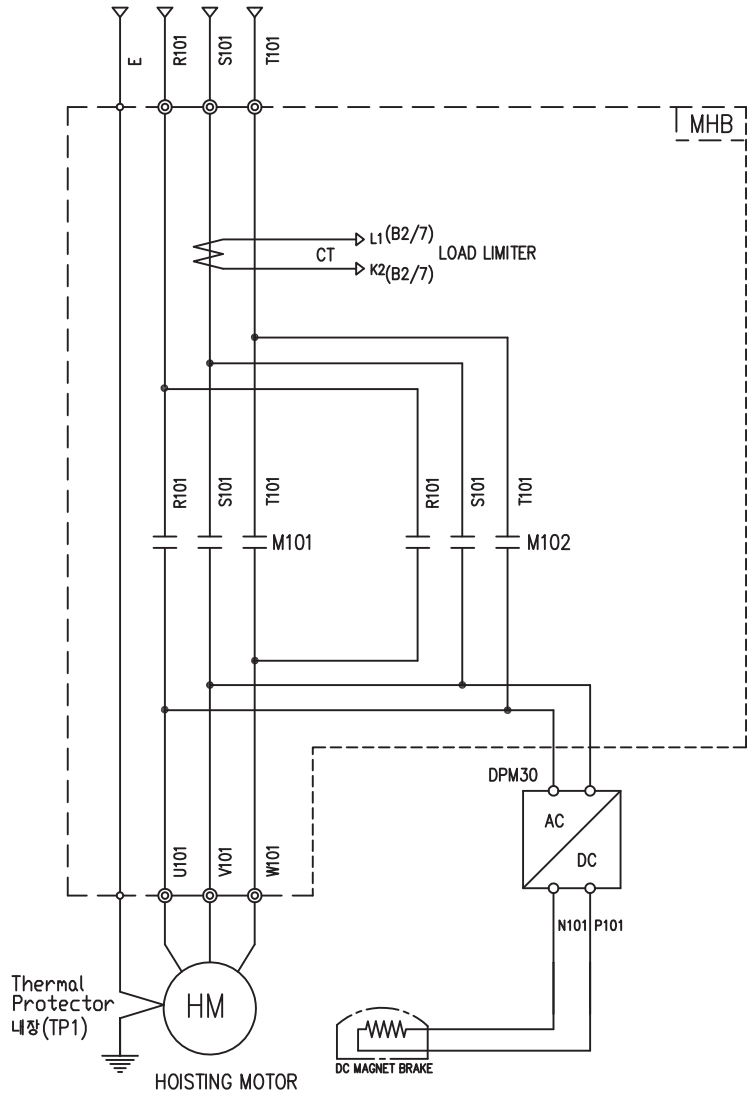
HOISTING POWER

SPECIFICATION	NO FUSE BREAKER	MAGNET CONTACT	TRANSFORMER	FUSE	
SYMBOLS	MCCB0	MO	TR10	F11, F12, F21	
DESCRIPTION	220V	20A	30VA	1A	
	380V	10A			
	440V	10A			
	460V	10A			
	480V	10A			
MAKER	LS	LS	DONGA	LK	-

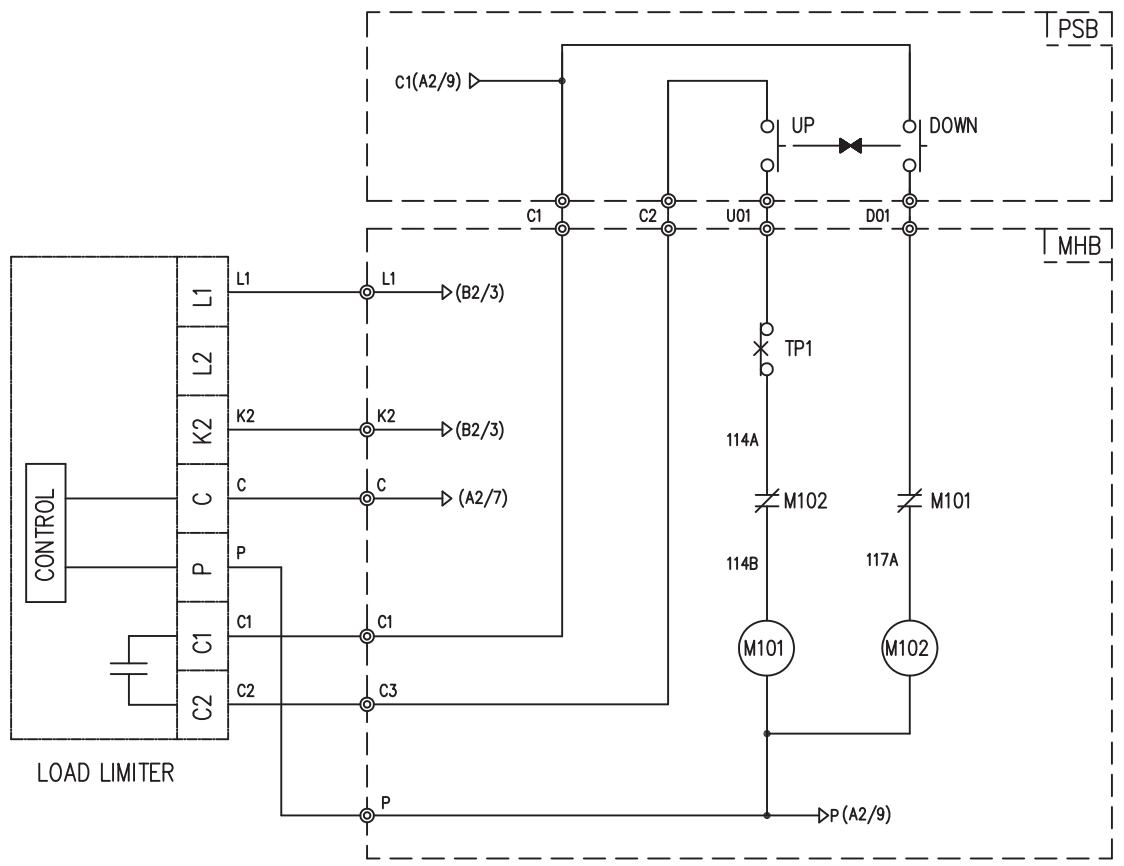
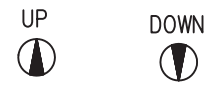
TITLE				PROJECTION	
MAIN POWER & CONTROL CIRCUIT DIAGRAM					
WORK NO	WORK NAME			SCALE	Q' TY
604	LDUH			1/1	1
220V, 380V, 440V, 460V, 480V					
DRAWN	CHECKED	REVIEWED	APPROVED	DRAWING NO	
LEE.G.H				CODE NO	
2010.10.13					
L K HOIST CO., LTD.					

HOISTING POWER

(A2/3)(A2/3)(A2/3)(A2/3)



-- PUSH BUTTON SWITCH --



- NOTE-
- : Mechanical Interlock
 - : Marker owner scope

SPECIFICATION	MAGNET CONTACT	SILICON RECTIFIER				LOAD LIMITER	Thermal Protector	HOIST MOTOR
	M101, M102	DPM30				-	TP1	HM
		AC220V	AC440V	AC460V	AC480V			
DESCRIPTION	GMC12 DMC12	DC99V	DC198V	DC207V	DC216V	LKDL-501	17AM032	1.8Kw * 6P
MAKER	LS DONGA	LK				LK	Texas Instruments	LK

TITLE HOIST POWER & CONTROL CIRCUIT DIAGRAM						PROJECTION 	
WORK NO	WORK NAME					SCALE	Q' TY
605	LDUH					1/1	1
220V, 440V, 460V, 480V							
DRAWN	CHECKED	REVIEWED	APPROVED	MODEL			
LEE.G.H				CODE NO			
2010.10.13							
L K HOIST CO., LTD.							

SCHEDULE OF TECHNICAL DATA

1. SERVICE	HOISTING
2. MANUFACTURE	LK . MACHINERY CO. LTD
3. MOTOR MODEL NO	1.8 - 6 - 44
4. RATED POWER	1.8 KW × 6 P
5. RATED VOLTAGE AND FREQUENCY	440 V 60HZ
6. MOTOR TYPE	SQUIRREL CAGE ROTOR TYPE
7. RATING	30 MIN
8. LOCATION	IN-DOOR , OUTDOOR
9. INSULATION CLASS	B
10. DESIGN TEMPERATURE RISE (BY RESISTANCE)	80℃
11. FULL LOAD SPEED	1150 RPM
12. FULL LOAD CURRENT	4.5 A
13. STARTING CURRENT AT RATED VOLTAGE	22.5 A
14. MINIMUM STARTING VOLTAGE	395 V
15. EFFICIENCY AT 100% RATED LOAD	67.9 %
16. POWER FACTOR AT 100% RATED LOAD	64.4 %
17. STARTING TORQUE	243 %
18. TYPE OF ENCLOSURE	전폐형
19. TYPE OF BEARING	PL : 6008DD OPL : 6207ZZ
20. MOUNTING	VERTICAL
21. MAXIMUM AMBIENT TEMPURE	40℃
22. BEARING LUBRICATION	GREASE
23. STARTING METHOD	FULL VOLTAGE