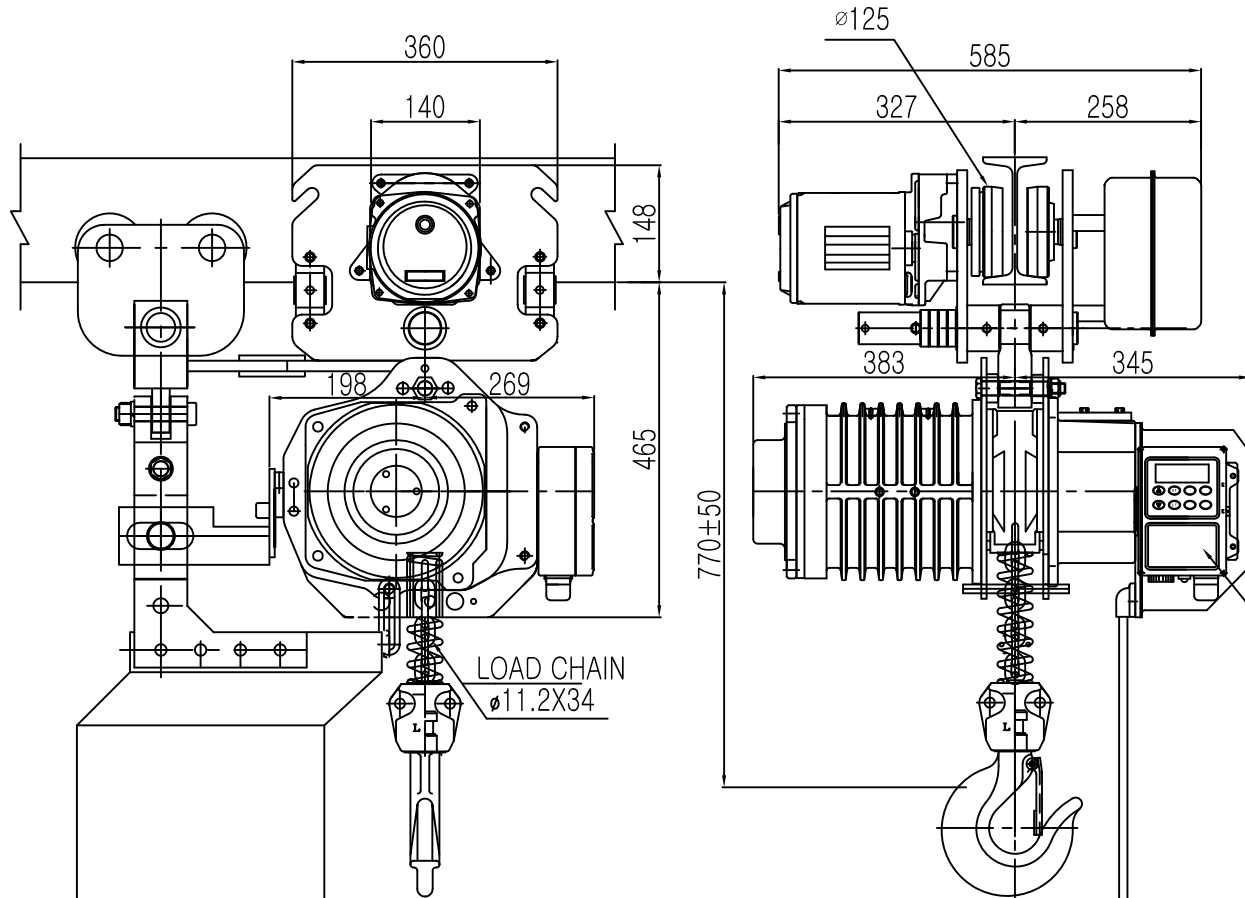


# L K HOIST

NO	DESCRIPTION	SIZE	MAT L	Q' TY	WT (kg)	REMARKS



## SPECIFICATION

		LK-DBM-2.5S		
RATED LOAD	(TON)	2.5		
TESTING LOAD	(TON)	3.125		
LIFTING HEIGHT	(M)	50		
HOISTING	SPEED (M/MIN)	6.5/2.1		
	MOTOR (KW)	4.4/2.2kw x 2/6p		
TRAVERSING	SPEED (M/MIN)	20	14	20/7
	MOTOR (KW)	0.75kw x 4p	0.4kw x 6p	0.75/0.25kw x 4/12p
POWER SUPPLY		AC220.380.440.460.480Vx3ø x 60 Hz		
OPERATING METHOD		P.B type ON . FL		
LOAD CHAIN		ø11.2 X 34 (1FALL)		
WEIGHT	(KG)	346KG		
I-BEAM 적용폭		100 ~ 190MM		

적용 I-BEAM)

- 1) 지점간 거리: I-200X100X7/10 - 2.5M
- 2) 지점간거리 : I-250X125X7.5/12.5-4.5M
- 3) 지점간거리 : I-300X150X10/18.5-7.0M
- 4) 지점간거리 : I-450X175X13/26-12M
- 5) 지점간거리 : I-600X190X13/25-15M

NOTE)

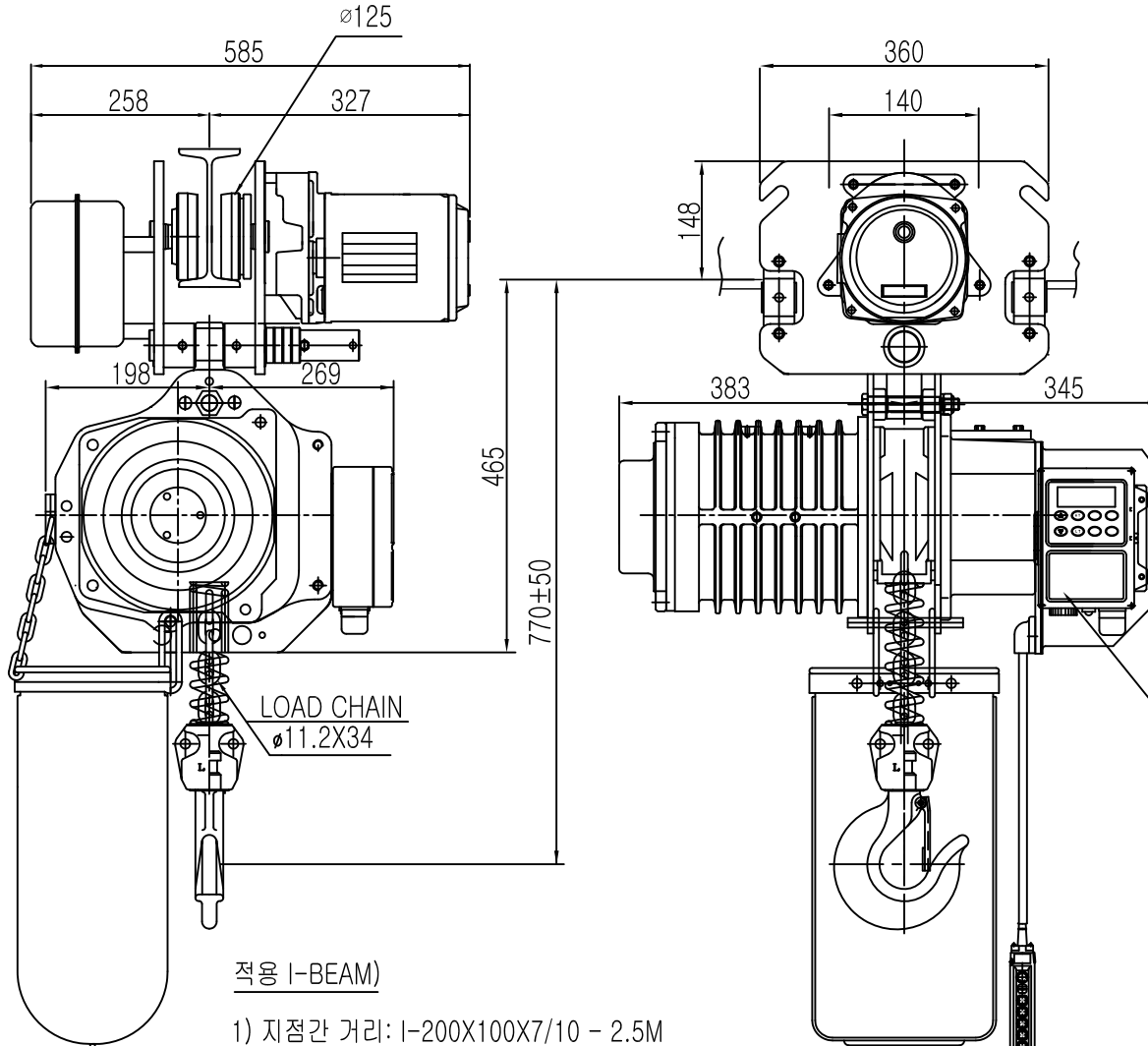
- 1) 점검 설비를 갖출 것
- 2) 인허가 서류를 완성검사시 제출 할 것

TITLE					PROJECTION	
ELECTRIC CHAIN HOIST DBM-2.5S						
WORK NO	WORK NAME				SCALE	Q' TY
	LK-DBM-2.5S					1
DRAWN	CHECKED	REVIEWED	APPROVED	DRAWING NO		
김창기						
2010.08.01				CODE NO		

REV.NO	DATE	REVISION	DESCRIPTION	DRAWN	CHECKED	APPROVED

# L K HOIST

NO	DESCRIPTION	SIZE	MAT'L	Q'TY	WT (kg)	REMARKS



## SPECIFICATION

		LK-DBM-2.5S			
RATED LOAD	(TON)	2.5			
TESTING LOAD	(TON)	3.125			
LIFTING HEIGHT	(M)	50			
HOISTING	SPEED (M/MIN)	6.5/2.1			
	MOTOR (KW)	4.4/2.2kw x 2/6p			
TRAVERSING	SPEED (M/MIN)	20	14	20/7	
	MOTOR (KW)	0.75kw x 4p	0.4kw x 6p	0.75/0.25kw x 4/12p	
POWER SUPPLY	AC220.380.440.460.480Vx3ø x 60 Hz				
OPERATING METHOD	P.B type ON . FL				
LOAD CHAIN	ø11.2 X 34 (1FALL)				
WEIGHT	(KG)	346KG			
I-BEAM 적용폭	100 ~ 190MM				

적용 I-BEAM)

- 1) 지점간 거리: I-200X100X7/10 - 2.5M
- 2) 지점간거리 : I-250X125X7.5/12.5-4.5M
- 3) 지점간거리 : I-300X150X10/18.5-7.0M
- 4) 지점간거리 : I-450X175X13/26-12M
- 5) 지점간거리 : I-600X190X13/25-15M

### NOTE)

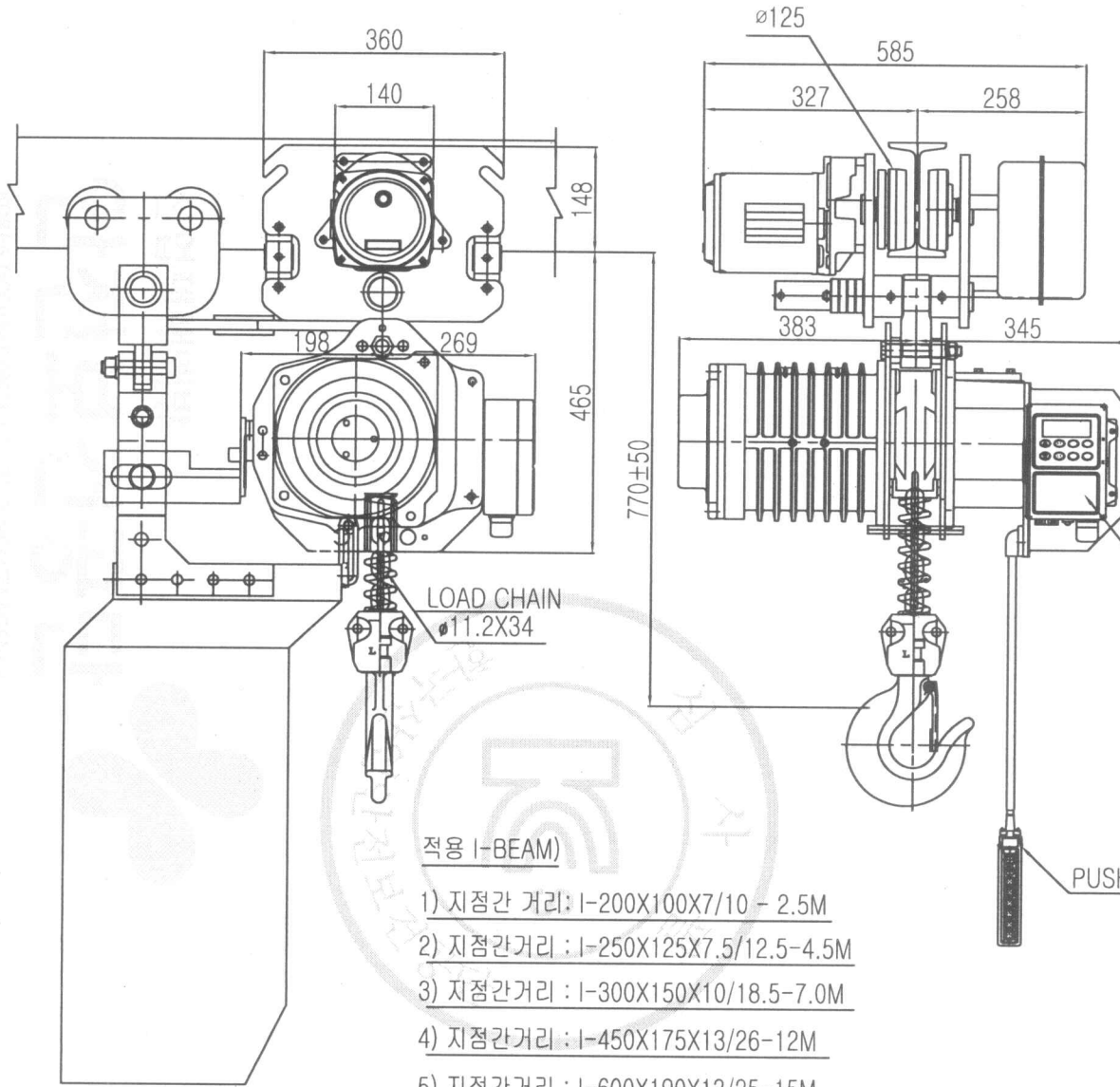
- 1) 점검 설비를 갖출 것
- 2) 인허가 서류를 완성검사시 제출 할 것

TITLE					PROJECTION	
ELECTRIC CHAIN HOIST						
WORK NO	WORK NAME				SCALE	Q' TY
	LK-DBM-2.5S				N/S	1
DRAWN	CHECKED	REVIEWED	APPROVED	DRAWING NO		
김 창 기						
2010.08.01				CODE NO		
L K HOIST CO., LTD.						

REV.NO	DATE	REVISION DESCRIPTION	DRAWN	CHECKED	APPROVED

# L K HOIST

NO	DESCRIPTION	SIZE	MAT'L	Q'TY	WT (kg)	REMARKS



## SPECIFICATION

		LK-DBM-2.5S		
RATED LOAD (TON)		2.5		
TESTING LOAD (TON)		3.125		
LIFTING HEIGHT (M)		50		
HOISTING	SPEED (M/MIN)	6.5/2.1		
	MOTOR (KW)	4.4/2.2kw x 2/6p		
TRAVERSING	SPEED (M/MIN)	20	14	20/7
	MOTOR (KW)	0.75kw x 4p	0.4kw x 6p	0.75/0.25kw x 4/12p
POWER SUPPLY		AC220.380.440.460.480Vx3ø x 60 Hz		
OPERATING METHOD		P.B type ON . FL		
LOAD CHAIN		ø11.2 X 34 (1FALL)		
WEIGHT (KG)		346KG		
I-BEAM 적용폭		100 ~ 190MM		

적용 I-BEAM)

- 1) 지점간 거리: I-200X100X7/10 - 2.5M
- 2) 지점간거리 : I-250X125X7.5/12.5-4.5M
- 3) 지점간거리 : I-300X150X10/18.5-7.0M
- 4) 지점간거리 : I-450X175X13/26-12M
- 5) 지점간거리 : I-600X190X13/25-15M

### NOTE)

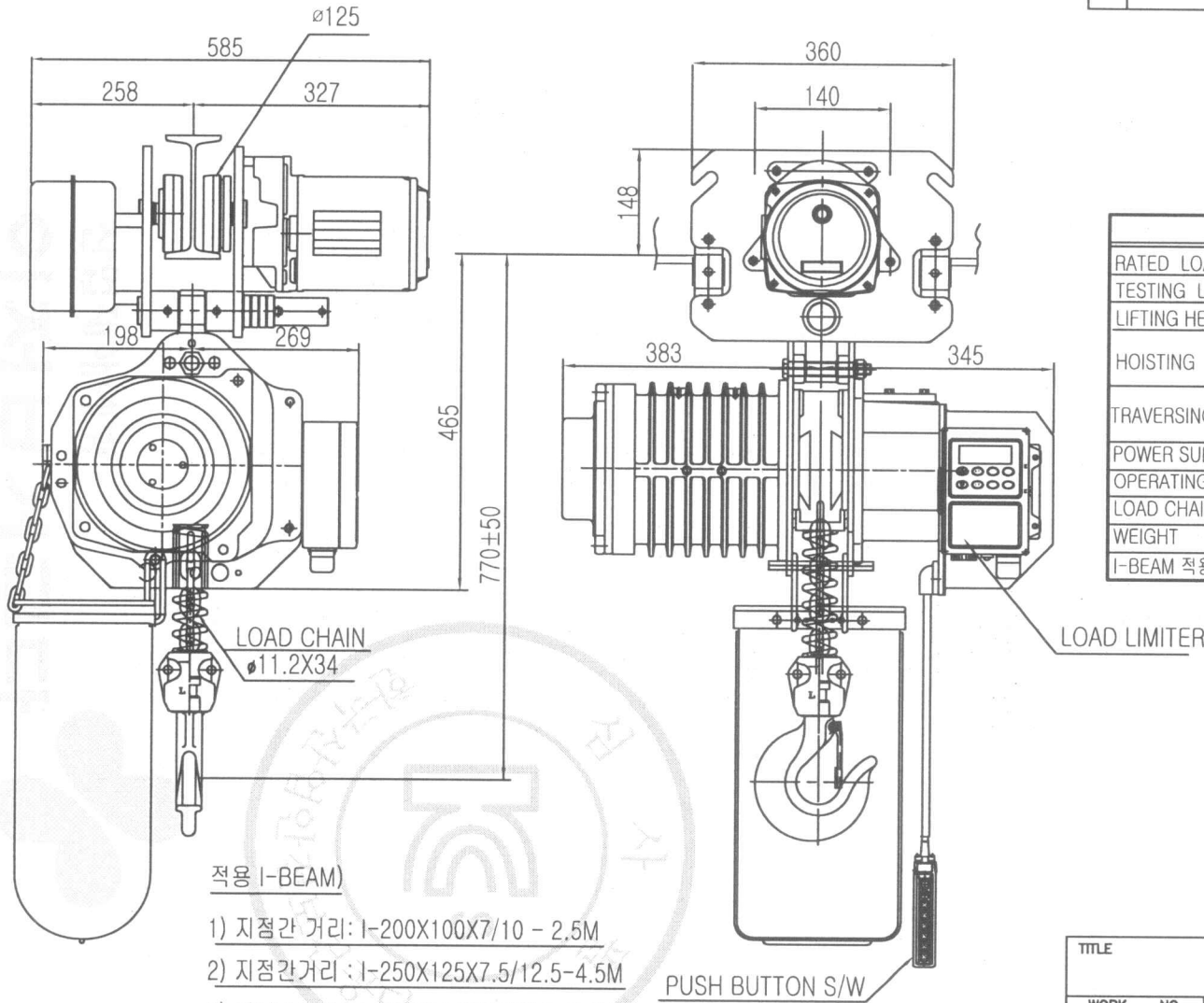
- 1)점검 설비를 갖출 것
- 2)인허가 서류를 완성검사시 제출 할 것

PUSH BUTTON S/W

REV.NO	DATE	REVISION	DESCRIPTION	DRAWN	CHECKED	APPROVED

TITLE				PROJECTION	
ELECTRIC CHAIN HOIST DBM-2.5S					
WORK NO	WORK NAME			SCALE	Q' TY
	LK-DBM-2.5S				1
DRAWN	CHECKED	REVIEWED	APPROVED	DRAWING NO	
김창기				CODE NO	
2010.08.01					
<b>L K HOIST CO., LTD.</b>					

# L K HOIST



적용 I-BEAM)

- 1) 지점간 거리: I-200X100X7/10 - 2.5M
- 2) 지점간거리 : I-250X125X7.5/12.5-4.5M
- 3) 지점간거리 : I-300X150X10/18.5-7.0M
- 4) 지점간거리 : I-450X175X13/26-12M
- 5) 지점간거리 : I-600X190X13/25-15M

REV.NO	DATE	REVISION	DESCRIPTION	DRAWN	CHECKED	APPROVED

NO	DESCRIPTION	SIZE	MAT'L	Q'TY	WT (kg)	REMARKS

## SPECIFICATION

		LK-DBM-2.5S	
RATED LOAD	(TON)	2.5	
TESTING LOAD	(TON)	3.125	
LIFTING HEIGHT	(M)	50	
HOISTING	SPEED (M/MIN)	6.5/2.1	
	MOTOR (KW)	4.4/2.2kw x 2/6p	
TRAVERSING	SPEED (M/MIN)	20	14
	MOTOR (KW)	0.75kw x 4p	0.4kw x 6p
POWER SUPPLY		AC220.380.440.460.480Vx3 $\phi$ x 60 Hz	
OPERATING METHOD		P.B type ON . FL	
LOAD CHAIN		$\phi 11.2 \times 34$ (1FALL)	
WEIGHT	(KG)	346KG	
I-BEAM 적용폭		100 ~ 190MM	

### NOTE)

- 1)점검 설비를 갖출 것
- 2)인허가 서류를 완성검사시 제출 할 것

TITLE				PROJECTION	
ELECTRIC CHAIN HOIST					
WORK NO	WORK NAME			SCALE	Q' TY
	LK-DBM-2.5S			N/S	1
DRAWN	CHECKED	REVIEWED	APPROVED	DRAWING NO	
김창기				CODE NO	
2010.08.01					

**LK** L K HOIST CO., LTD.

물범복제 및 배포금지