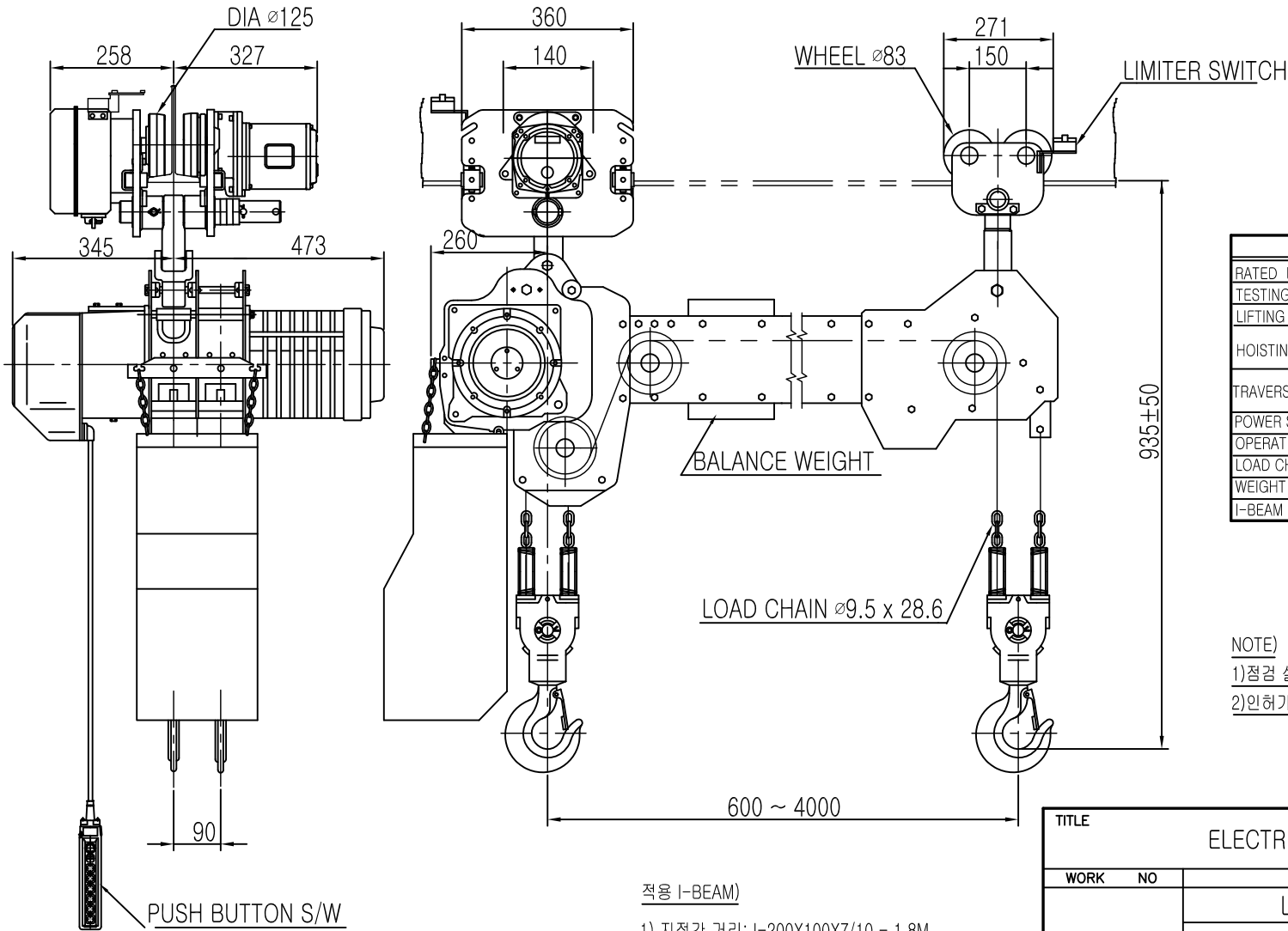


ON GMD

L K HOIST

NO	DESCRIPTION	SIZE	MAT'L	Q'TY	WT (kg)	REMARKS



SPECIFICATION

		LK-DHDBM-3W		
RATED LOAD (TON)		3.0		
TESTING LOAD (TON)		3.75		
LIFTING HEIGHT (M)		50		
HOISTING	SPEED (M/MIN)	5.15/1.7		
	MOTOR (KW)	4.4/2.2kw x 2/6p		
TRAVERSING	SPEED (M/MIN)	20	14	20/7
	MOTOR (KW)	0.75kw x 4p	0.4kw x 6p	0.75/0.25kw x 4/12p
POWER SUPPLY		AC220.380.440.460.480Vx3 ϕ x 60 Hz		
OPERATING METHOD		P.B type ON . FL		
LOAD CHAIN		$\varnothing 9.5 \times 28.6$ (2FALL)		
WEIGHT (KG)		900		
I-BEAM 적용폭		100 ~ 190MM		

NOTE)

- 1) 점검 설비를 갖출 것
- 2) 인허가 서류를 완성검사시 제출 할 것

적용 I-BEAM)

- 1) 지점간 거리 : I-200X100X7/10 - 1.8M
- 2) 지점간 거리 : I-250X125X7.5/12.5-3.5M
- 3) 지점간 거리 : I-300X150X10/18.5-5.5M
- 4) 지점간 거리 : I-450X175X13/26-10M
- 5) 지점간 거리 : I-600X190X13/25-14M

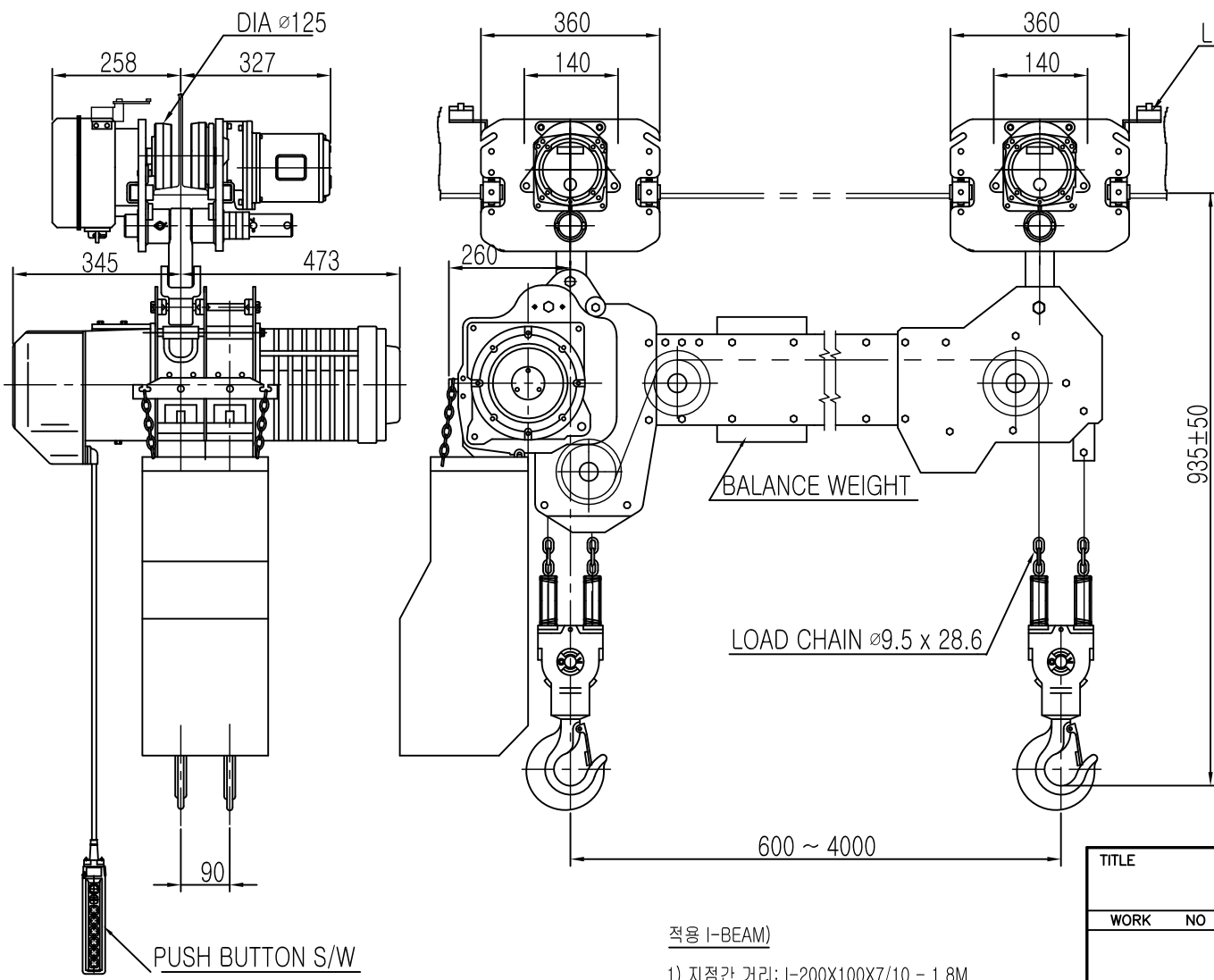
REV.NO	DATE	REVISION	DESCRIPTION	DRAWN	CHECKED	APPROVED

TITLE					PROJECTION	
ELECTRIC CHAIN HOIST						
WORK NO	WORK NAME				SCALE	Q'TY
	LK-DHDBM-3W				N/S	1
DRAWN	CHECKED	REVIEWED	APPROVED	DRAWING NO		
김 창 기				CORD NO		
2010.08.01						

L K HOIST

ON 3MG

NO	DESCRIPTION	SIZE	MAT' L	Q' TY	WT (kg)	REMARKS
----	-------------	------	--------	-------	---------	---------



SPECIFICATION

		LK-DHDBM-3W		
RATED LOAD	(TON)	3.0		
TESTING LOAD	(TON)	3.75		
LIFTING HEIGHT	(M)	50		
HOISTING	SPEED (M/MIN)	5.15/1.7		
	MOTOR (KW)	4.4/2.2kw x 2/6p		
TRAVERSING	SPEED (M/MIN)	20	14	20/7
	MOTOR (KW)	0.75kwx4p-2set	0.4kwx6p-2set	0.75/0.25kwx4/12p-2set
POWER SUPPLY		AC220.380.440.460.480Vx3ø x 60 Hz		
OPERATING METHOD		P.B type ON . FL		
LOAD CHAIN		ø9.5 X 28.6 (2FALL)		
WEIGHT	(KG)	900		
I-BEAM 적용폭		100 ~ 190MM		

NOTE)
 1)점검 설비를 갖출 것
 2)인허가 서류를 완성검사시 제출 할 것

- 적용 I-BEAM)
- 1) 지점간 거리: I-200X100X7/10 - 1.8M
 - 2) 지점간거리 : I-250X125X7.5/12.5-3.5M
 - 3) 지점간거리 : I-300X150X10/18.5-5.5M
 - 4) 지점간거리 : I-450X175X13/26-10M
 - 5) 지점간거리 : I-600X190X13/25-14M

REV.NO	DATE	REVISION	DESCRIPTION	DRAWN	CHECKED	APPROVED
--------	------	----------	-------------	-------	---------	----------

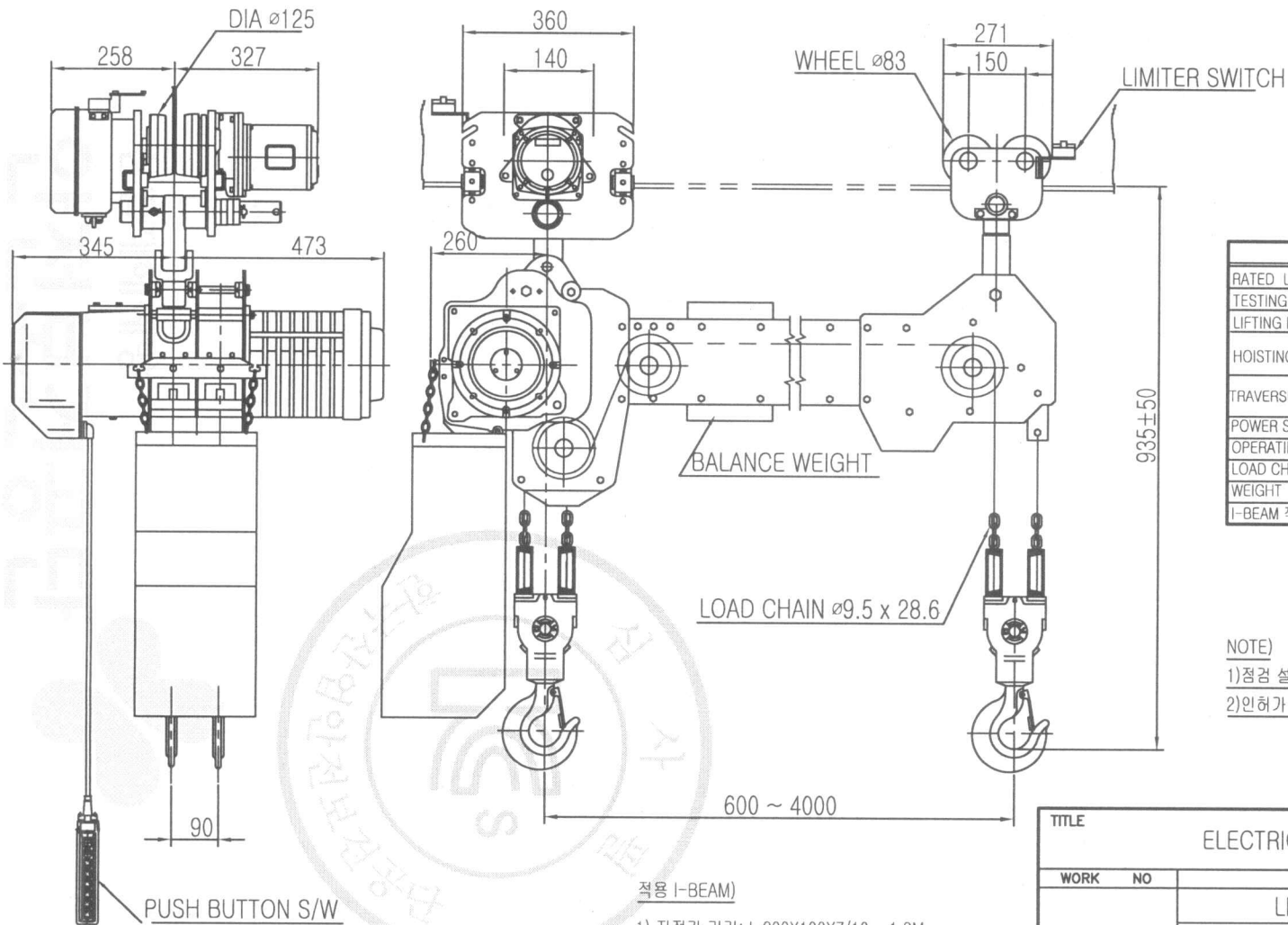
TITLE				PROJECTION	
ELECTRIC CHAIN HOIST					
WORK NO	WORK NAME			SCALE	Q' TY
	LK-DHDBM-3W			N/S	1
DRAWN	CHECKED	REVIEWED	APPROVED	DRAWING NO	
김 창 기					
2010.08.01				CORD NO	

LK L K HOIST CO., LTD.

L K HOIST

ON 9MG

NO	DESCRIPTION	SIZE	MAT'L	Q'TY	WT (kg)	REMARKS



SPECIFICATION

		LK-DHDBM-3W	
RATED LOAD (TON)		3.0	
TESTING LOAD (TON)		3.75	
LIFTING HEIGHT (M)		50	
HOISTING	SPEED (M/MIN)	5.15/1.7	
	MOTOR (KW)	4.4/2.2kw x 2/6p	
TRAVERSING	SPEED (M/MIN)	20	14 20/7
	MOTOR (KW)	0.75kw x 4p	0.4kw x 6p 0.75/0.25kw x 4/12p
POWER SUPPLY		AC220.380.440.460.480Vx3ø x 60 Hz	
OPERATING METHOD		P.B type ON . FL	
LOAD CHAIN		ø9.5 X 28.6 (2FALL)	
WEIGHT (KG)		900	
I-BEAM 적용폭		100 ~ 190MM	

NOTE)

- 1)점검 설비를 갖출 것
- 2)인허가 서류를 완성검사시 제출 할 것

적용 I-BEAM)

- 1) 지점간 거리: I-200X100X7/10 - 1.8M
- 2) 지점간거리 : I-250X125X7.5/12.5-3.5M
- 3) 지점간거리 : I-300X150X10/18.5-5.5M
- 4) 지점간거리 : I-450X175X13/26-10M
- 5) 지점간거리 : I-600X190X13/25-14M

REV.NO	DATE	REVISION	DESCRIPTION	DRAWN	CHECKED	APPROVED

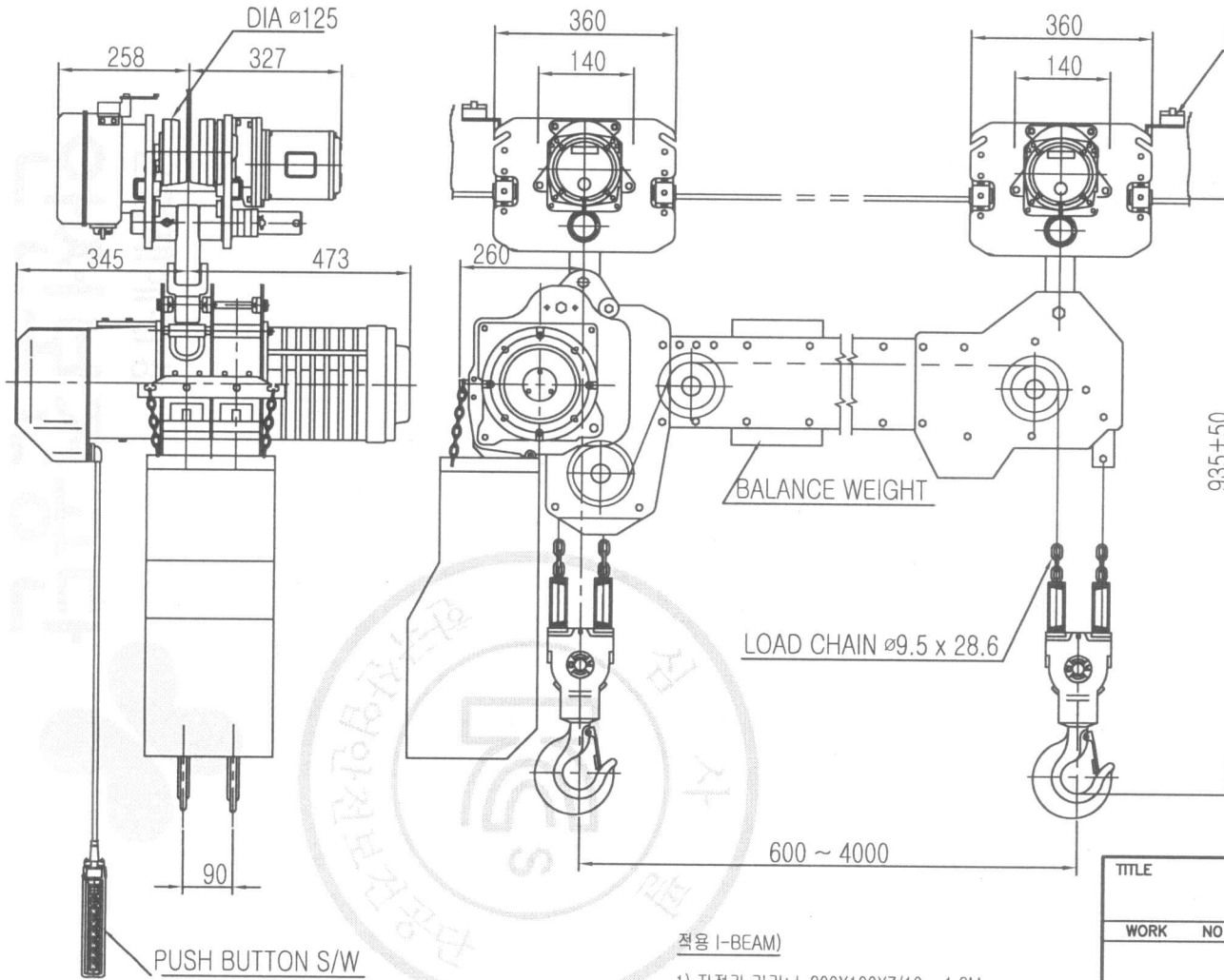
TITLE				PROJECTION	
ELECTRIC CHAIN HOIST					
WORK NO	WORK NAME			SCALE	Q'TY
	LK-DHDBM-3W			N/S	1
DRAWN	CHECKED	REVIEWED	APPROVED	DRAWING NO	
김창기				CORD NO	
2010.08.01					
L K HOIST CO., LTD.					

물범복제 및 배포금지

ON 9MG

L K HOIST

NO	DESCRIPTION	SIZE	MAT' L	Q' TY	WT (kg)	REMARKS



SPECIFICATION

		LK-DHDBM-3W		
RATED LOAD (TON)		3.0		
TESTING LOAD (TON)		3.75		
LIFTING HEIGHT (M)		50		
HOISTING	SPEED (M/MIN)	5.15/1.7		
	MOTOR (KW)	4.4/2.2kw x 2/6p		
TRAVERSING	SPEED (M/MIN)	20	14	20/7
	MOTOR (KW)	0.75kwx4p-2set	0.4kwx6p-2set	0.75/0.25kwx4/12p-2set
POWER SUPPLY		AC220.380.440.460.480Vx3ø x 60 Hz		
OPERATING METHOD		P.B type ON . FL		
LOAD CHAIN		ø9.5 X 28.6 (2FALL)		
WEIGHT (KG)		900		
I-BEAM 적용폭		100 ~ 190MM		

NOTE)

- 1) 점검 설비를 갖추실 것
- 2) 인허가 서류를 완성검사시 제출 할 것

적용 I-BEAM)

- 1) 지점간 거리 : I-200X100X7/10 - 1.8M
- 2) 지점간거리 : I-250X125X7.5/12.5-3.5M
- 3) 지점간거리 : I-300X150X10/18.5-5.5M
- 4) 지점간거리 : I-450X175X13/26-10M
- 5) 지점간거리 : I-600X190X13/25-14M

REV.NO	DATE	REVISION DESCRIPTION	DRAWN	CHECKED	APPROVED

TITLE					PROJECTION	
ELECTRIC CHAIN HOIST						
WORK NO	WORK NAME				SCALE	Q' TY
	LK-DHDBM-3W				N/S	1
DRAWN	CHECKED	REVIEWED	APPROVED	DRAWING NO		
김창기						
2010.08.01				CORD NO		
L K HOIST CO., LTD.						

원본복제 및 배포금지