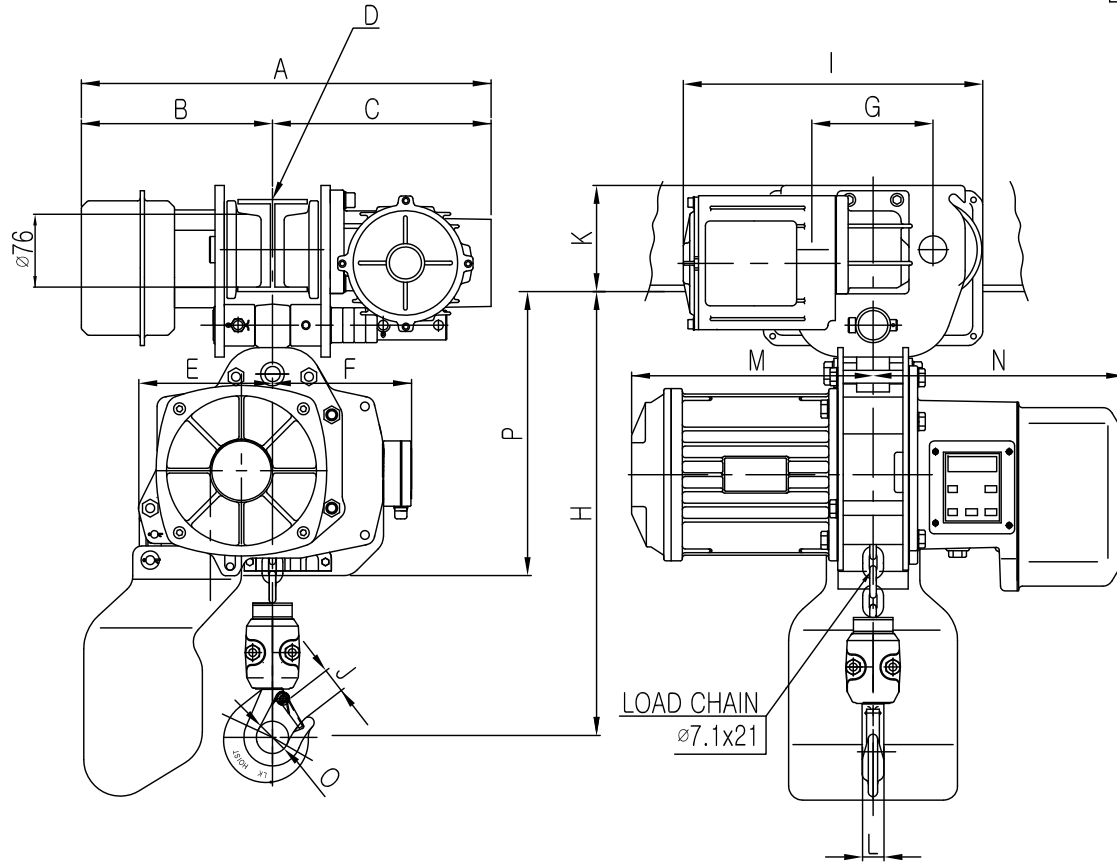


ON 9MG

# L K HOIST

NO	DESCRIPTION	SIZE	MAT' L	Q' TY	WT (kg)	REMARKS



제조일 : 0000-00-00  
 형식번호 : 00-000-00  
 정격하중 : 00-000-00  
 제조사 : (주)LK

## SPECIFICATION

		LTMH-1S		
RATED LOAD	(TON)	1.0		
TESTING LOAD	(TON)	1.25		
LIFTING HEIGHT	(M)	50		
HOISTING	SPEED (M/MIN)	8.2		5.4
	MOTOR (KW)	1.8kw x 4p		1.2kw x 6p
TRAVERSING	SPEED (M/MIN)	18.8	9.23	18.8/4.6
	MOTOR (KW)	0.3kw x 2p	0.2kw x 4p	0.3/0.15kw x 2/8p
POWER SUPPLY	AC220.380.440.460,480Vx3ø x 60 Hz			
OPERATING METHOD	P.B type ON . FL			
LOAD CHAIN	ø7.1 X 21(1FALL)			
WEIGHT	(KG)	130		
H-BEAM 적용폭	75 ~ 175MM			

## DIMENSIONS

MODEL	A	B	C	D	E	F	G	H	I	J	K	L	M	N	O	P
LTMH-1S	449	207	242	75~175	145	191	130	446±21	370	25	110	24	262	273	35	342

적용 H-BEAM)

- 1) H- 150 X75 X5/7 - 2.5M
- 2) H- 150 X100 X6/9 - 3.2M
- 3) H- 125 X125 X6.5/9 - 3.0M
- 4) H- 150 X150 X7/10 - 4.0M
- 5) H- 175 X175 X11/12 - 5.0M

REV.NO	DATE	REVISION	DESCRIPTION	DRAWN	CHECKED	APPROVED

## NOTE)

- 1)점검 설비를 갖출 것
- 2)인허가 서류를 완성검사시 제출 할 것

TITLE		CHAIN HOIST LTMH-1S			PROJECTION	
WORK NO		WORK NAME				
DRAWN		CHECKED	REVIEWED	APPROVED	SCALE	
2015.01.05					N S 1	
DRAWING NO						