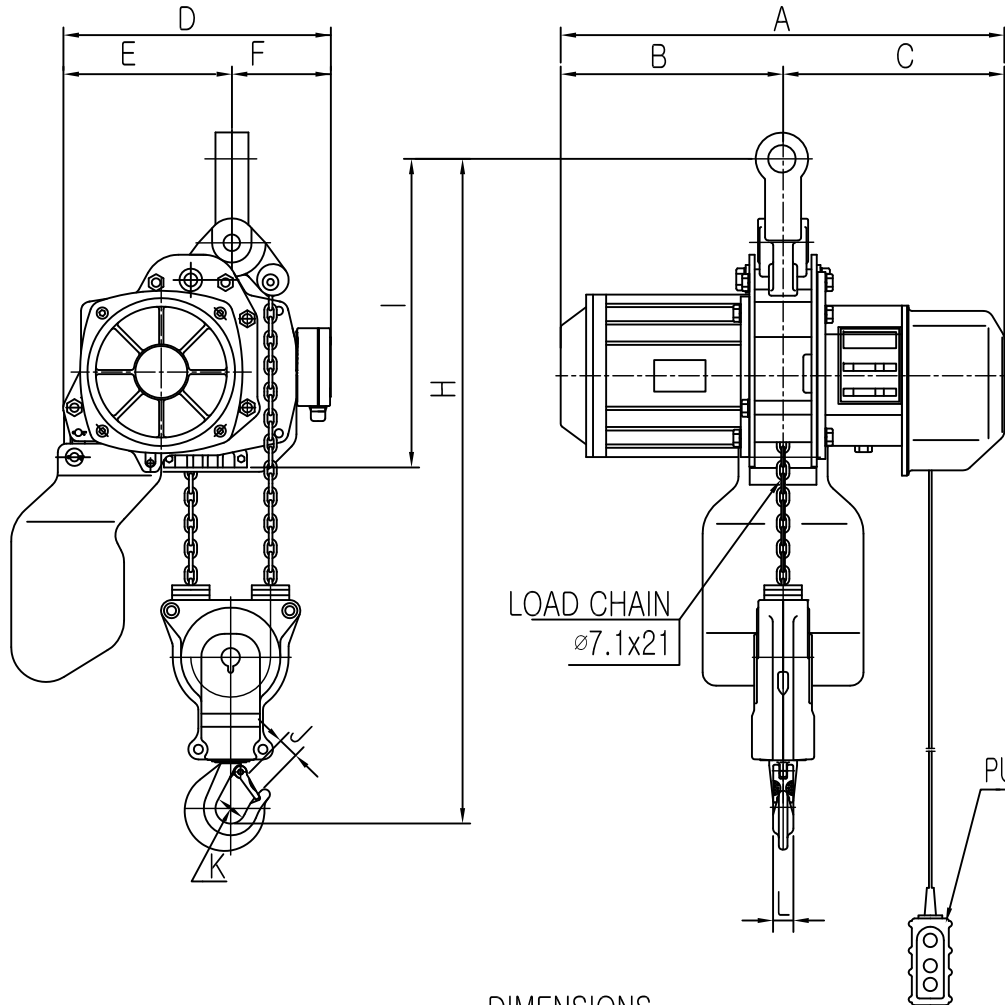


ON 9MG

# L K HOIST

NO	DESCRIPTION	SIZE	MAT' L	Q' TY	WT (kg)	REMARKS



제조일 : 0000-00-00
형식번호 : 00-000-00
정격하중 : 00-000-00
제조사 : (주)LK

## SPECIFICATION

		LDS-2W	
RATED LOAD	(TON)	2.0	
TESTING LOAD	(TON)	2.5	
LIFTING HEIGHT	(M)	50	
HOISTING	SPEED (M/MIN)	4.1	2.7
	MOTOR (KW)	1.8 x 4p	1.2 x 6p
WEIGHT	(KG)	165	
POWER SUPPLY		AC220.380.440.460.480V x3ø x 60 Hz	
OPERATING METHOD		P.B type ON . FL	
LOAD CHAIN		ø7.1 X 21 (2FALL)	

## DIMENSIONS

MODEL	CAPACITY (ton)	A	B	C	D	E	F	H	I	J	K	L
LDS-2W	2	535	262	273	336	181	155	670	438	40	53.5	30

## NOTE)

- 1)점검 설비를 갖출 것
- 2)인허가 서류를 완성검사시 제출 할 것

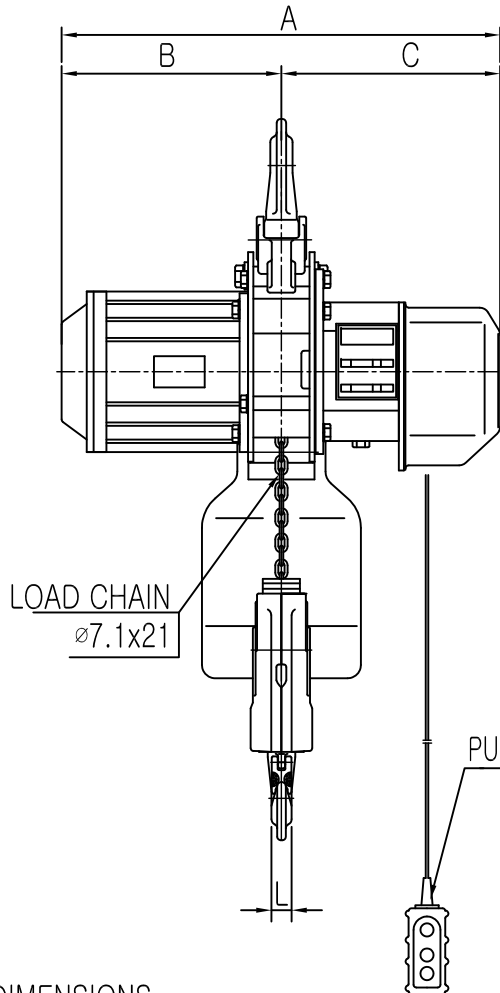
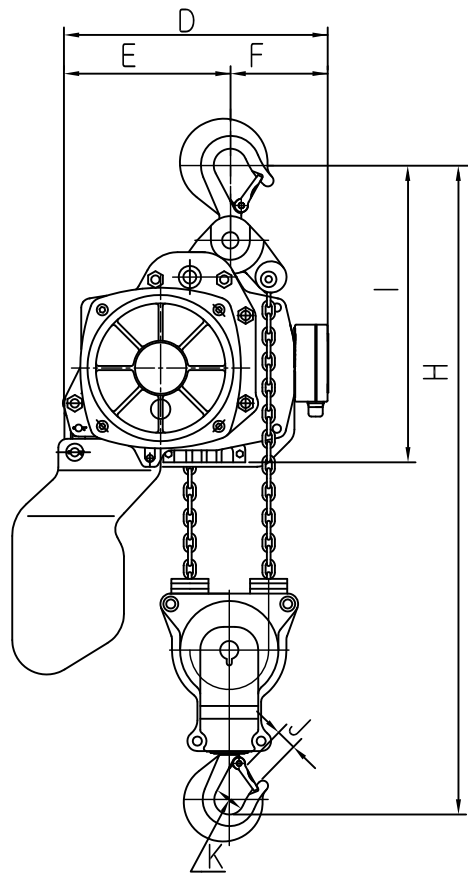
TITLE					PROJECTION	
<b>CHAIN HOIST LDS-2W</b>						
WORK NO	WORK NAME				SCALE	Q' TY
	CONNECTOR TYPE				N S	1
DRAWN	CHECKED	REVIEWED	APPROVED	DRAWING NO		
김 창 기						
2010.07.15						
<b>L K HOIST CO., LTD.</b>						

REV.NO	DATE	REVISION	DESCRIPTION	DRAWN	CHECKED	APPROVED

ON GMD

# L K HOIST

NO	DESCRIPTION	SIZE	MAT'L	Q'TY	WT (kg)	REMARKS



제조일 : 0000-00-00  
 형식번호 : 00-000-00  
 정격하중 : 00-000-00  
 제조자 : (주)LK

## SPECIFICATION

		LDS-2W	
RATED LOAD	(TON)	2.0	
TESTING LOAD	(TON)	2.5	
LIFTING HEIGHT	(M)	50	
HOISTING	SPEED (M/MIN)	4.1	2.7
	MOTOR (KW)	1.8 x 4p	1.2 x 6p
WEIGHT	(KG)	165	
POWER SUPPLY		AC220.380.440.460,480V x3ø x 60 Hz	
OPERATING METHOD		P.B type ON . FL	
LOAD CHAIN		ø7.1 X 21 (2FALL)	

## DIMENSIONS

MODEL	CAPACITY (ton)	A	B	C	D	E	F	H	I	J	K	L
LDS-2W	2	535	262	273	336	181	155	670	438	40	53.5	30

## NOTE)

- 1)점검 설비를 갖출 것
- 2)인허가 서류를 완성검사시 제출 할 것

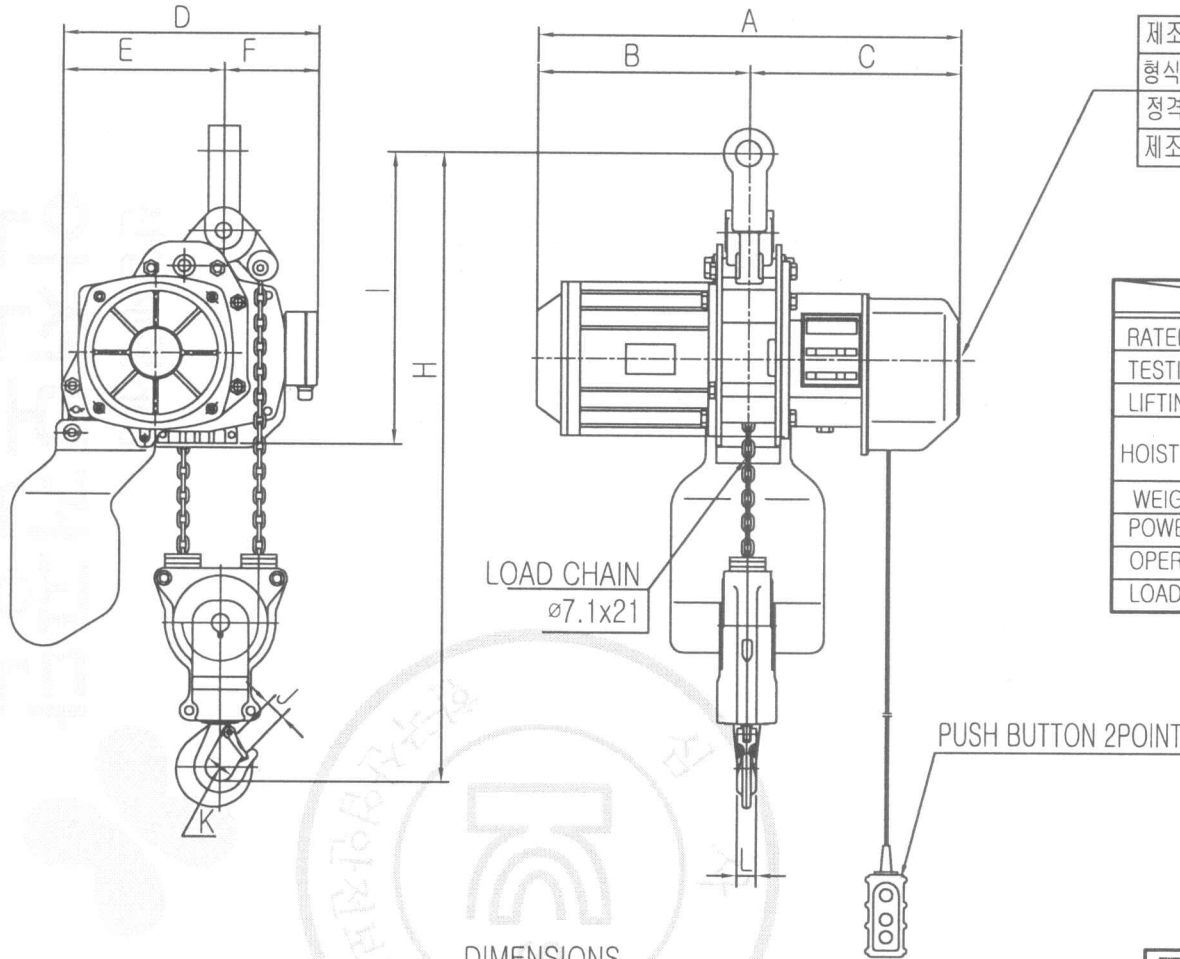
REV.NO	DATE	REVISION	DESCRIPTION	DRAWN	CHECKED	APPROVED

TITLE					PROJECTION	
<b>ELECTRIC CHAIN HOIST LDS-2W</b>						
WORK NO	WORK NAME				SCALE	Q' TY
	HOOK TYPE				N S	1
DRAWN	CHECKED	REVIEWED	APPROVED	DRAWING NO		
김창기						
2010.07.15						
<b>L K HOIST CO., LTD.</b>						

ON ㉔MD

# L K HOIST

NO	DESCRIPTION	SIZE	MAT'L	Q'TY	WT (kg)	REMARKS



## SPECIFICATION

		LDS-2W	
RATED LOAD	(TON)	2.0	
TESTING LOAD	(TON)	2.5	
LIFTING HEIGHT	(M)	50	
HOISTING	SPEED (M/MIN)	4.1	2.7
	MOTOR (KW)	1.8 x 4p	1.2 x 6p
WEIGHT	(KG)	165	
POWER SUPPLY		AC220,380,440,460,480V x3ø x 60 Hz	
OPERATING METHOD		P.B type ON . FL	
LOAD CHAIN		ø7.1 X 21 (2FALL)	

## DIMENSIONS

MODEL	CAPACITY (ton)	A	B	C	D	E	F	H	I	J	K	L
LDS-2W	2	535	262	273	336	181	155	670	438	40	53.5	30

## NOTE)

- 1)점검 설비를 갖출 것
- 2)인허가 서류를 완성검사시 제출 할 것

TITLE					PROJECTION	
<b>CHAIN HOIST LDS-2W</b>						
WORK NO	WORK NAME				SCALE	Q'TY
	CONNECTOR TYPE				N S	1
DRAWN	CHECKED	REVIEWED	APPROVED	DRAWING NO		
김창기						
2010.07.15						
<b>L K HOIST CO., LTD.</b>						

REV.NO	DATE	REVISION	DESCRIPTION	DRAWN	CHECKED	APPROVED

열린복지 및 배포금지

ON 5MG

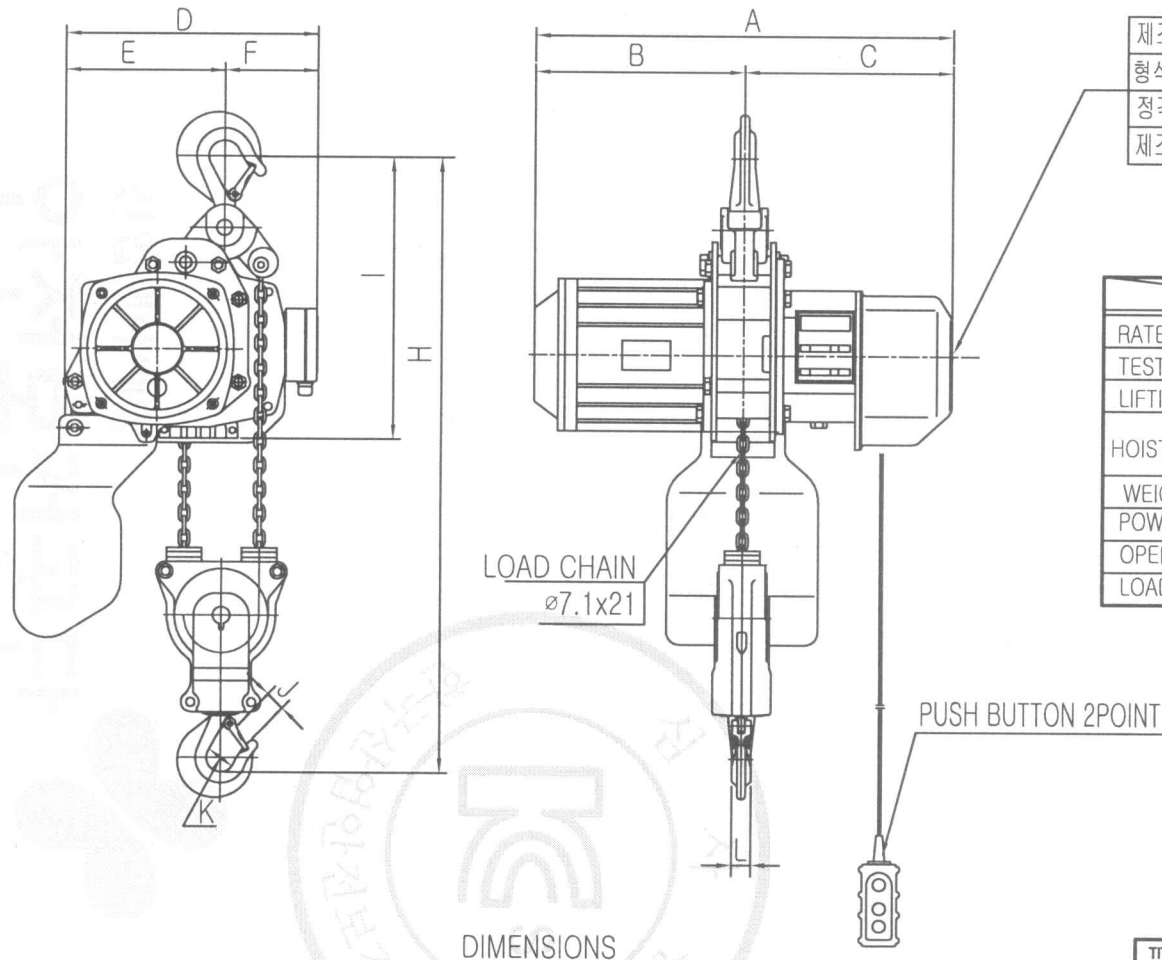
# L K HOIST

NO	DESCRIPTION	SIZE	MAT' L	Q' TY	WT (kg)	REMARKS

제조일 : 0000-00-00  
 형식번호 : 00-000-00  
 정격하중 : 00-000-00  
 제조자 : (주)LK

## SPECIFICATION

		LDS-2W	
RATED LOAD	(TON)	2.0	
TESTING LOAD	(TON)	2.5	
LIFTING HEIGHT	(M)	50	
HOISTING	SPEED (M/MIN)	4.1	2.7
	MOTOR (KW)	1.8 x 4p	1.2 x 6p
WEIGHT	(KG)	165	
POWER SUPPLY	AC220.380.440.460.480V x3ø x 60 Hz		
OPERATING METHOD	P.B type ON . FL		
LOAD CHAIN	ø7.1 X 21 (2FALL)		



## DIMENSIONS

MODEL	CAPACITY (ton)	A	B	C	D	E	F	H	I	J	K	L
LDS-2W	2	535	262	273	336	181	155	670	438	40	53.5	30

## NOTE)

- 1)점검 설비를 갖출 것
- 2)인허가 서류를 완성검사시 제출 할 것

TITLE					PROJECTION	
<b>ELECTRIC CHAIN HOIST LDS-2W</b>						
WORK NO	WORK NAME				SCALE	Q' TY
	HOOK TYPE				N S	1
DRAWN	CHECKED	REVIEWED	APPROVED	DRAWING NO		
김창기						
2010.07.15						
<b>L K HOIST CO., LTD.</b>						

REV.NO	DATE	REVISION	DESCRIPTION	DRAWN	CHECKED	APPROVED

물범복제 및 배포금지