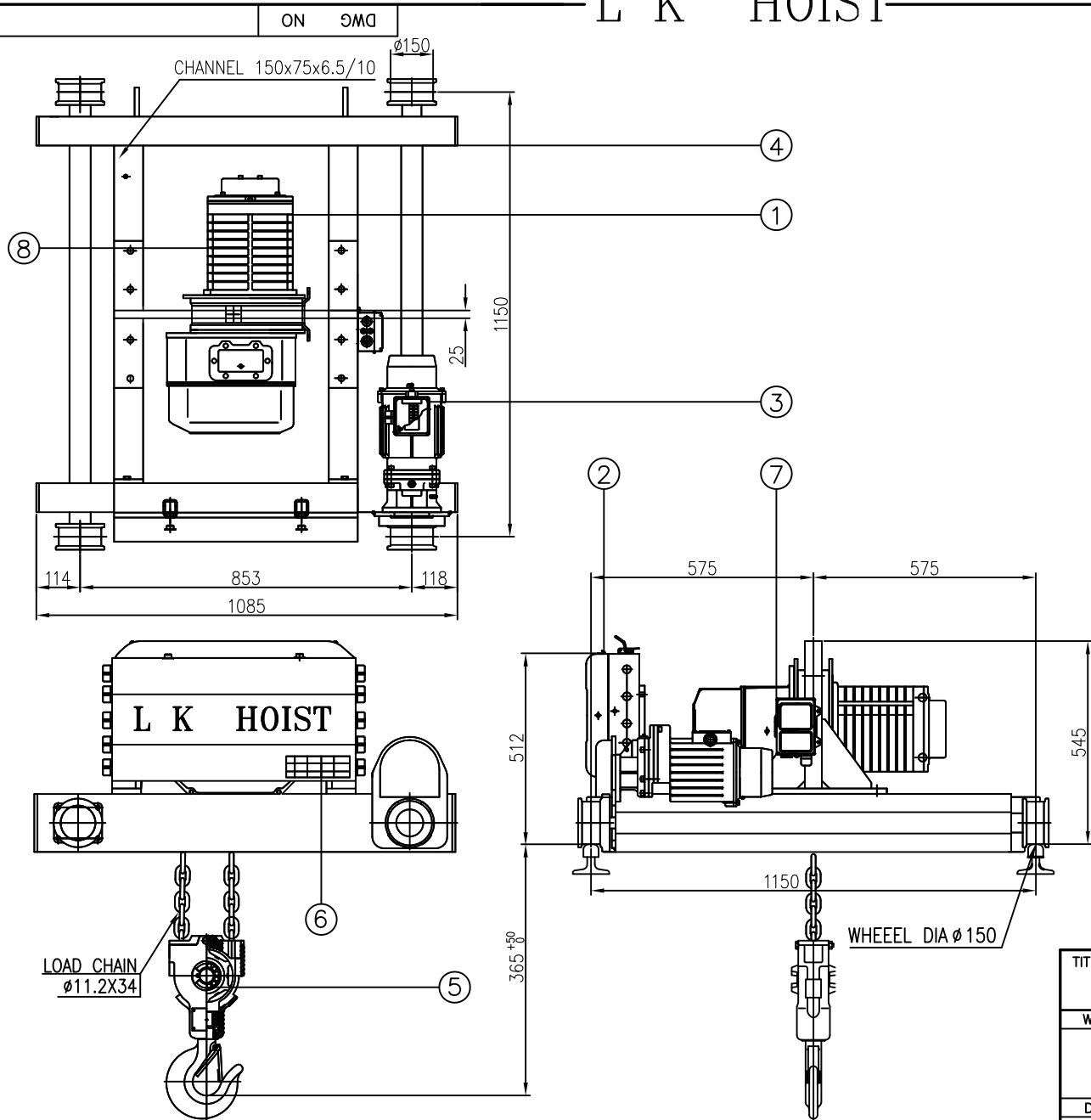


L K HOIST



	DESCRIPTION	SIZE	MAT'	REMARKS
1	HOISTING MOTOR ASS'Y		1	
2	HOISTING CONTROL ASS'Y		1	
3	GEARD MOTOR ASS'Y		1	
4	GRAB PART ASS'Y		1	
5	BOTTOM HOOK ASS'Y		1	
6	NAME PLATE		1	
7	LOAD LIMITEER		1	

SPECIFICATION			
RATED LOAD	5		TON
TESTING LOAD	6.25		TON
LIFTING HEIGHT	30		M
HOISTING SPEED/MOTOR	3.25m/min	3.5KW(4P)	
	24m/min	0.75KW(4P)	
TRAVERSING SPEED/MOTOR	16m/min	0.5KW(6P)	
	17/5.4m/min * 0.75/0.25kw * 4/12p		
POWER SUPPLY	AC220,380,440,460V,480V x 3ø x 60 Hz		
OPERATING METHOD	P.B type ON . FL		
WIEGHT	468kg		
RAIL	15KG/M		
CHAIN 사양	ø11.2 X 34(2줄)		
RAIL GgeR	1150		

NOTE)

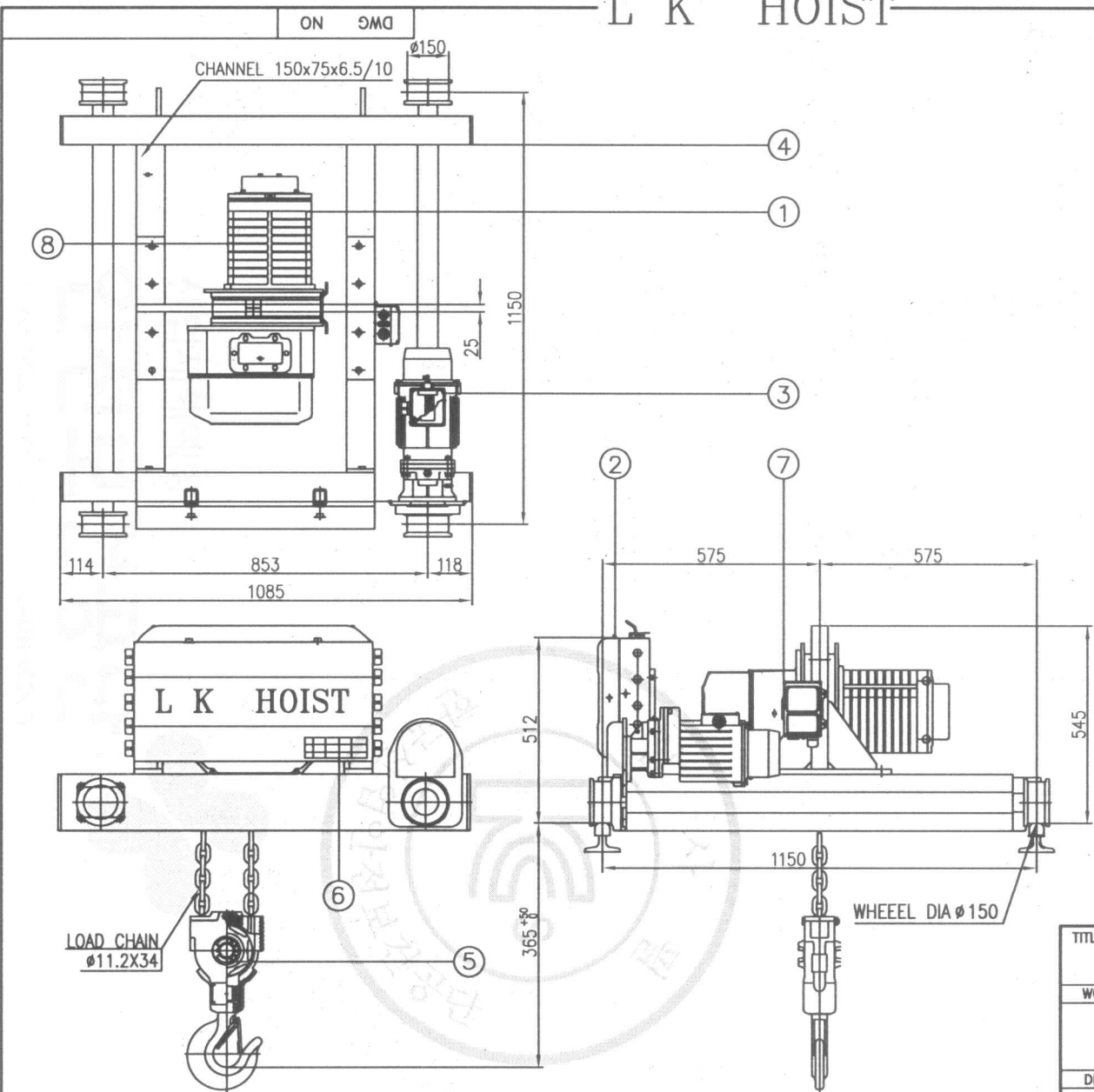
1. 점검 설비를 갖출 것.
2. 인허가 서류를 완성 검사시 제출 할 것.

TITLE				PROJECTION	
DAD-5W CHAIN HOIST					
WORK NO	WORK NAME			SCALE	Q' TY
	LK-DAD-5W				
DRAWN	CHECKED	REVIEWED	APPROVED	DRAWING NO	
김 창 기					
2010.09.16				CODE NO	

차수	3-6	6-30	30-120	120-315	315-1000
가공별					
선					
삭					
구멍간					
거리	±0.1	±0.2	±0.3	±0.5	±0.8

REV.NO	DATE	REVISION	DESCRIPTION	DRAWN	CHECKED	APPROVED

L K HOIST



	DESCRIPTION	SIZE	MAT'	REMARKS
1	HOISTING MOTOR ASS'Y		1	
2	HOISTING CONTROL ASS'Y		1	
3	GEARD MOTOR ASS'Y		1	
4	GRAB PART ASS'Y		1	
5	BOTTOM HOOK ASS'Y		1	
6	NAME PLATE		1	
7	LOAD LIMITEER		1	

SPECIFICATION			
RATED LOAD	5		TON
TESTING LOAD	6.25		TON
LIFTING HEIGHT	30		M
HOISTING SPEED/MOTOR	3.25m/min	3.5KW(4P)	
	24m/min	0.75KW(4P)	
TRAVERSING SPEED/MOTOR	16m/min	0.5KW(6P)	
	17/5.4m/min * 0.75/0.25kw * 4/12p		
POWER SUPPLY	AC220,380,440,460V,480V x 3φ x 60 Hz		
OPERATING METHOD	P.B type ON . FL		
WIEGHT	468kg		
RAIL	15KG/M		
CHAIN 사양	φ11.2 X 34(2φ)		
RAIL GgeR	1150		

NOTE)
 1. 점검 설비를 갖출 것.
 2. 인허가 서류를 완성 검사시 제출 할 것.

TITLE				PROJECTION	
DAD-5W CHAIN HOIST					
WORK NO	WORK NAME			SCALE	Q' TY
	LK-DAD-5W				
DRAWN	CHECKED	REVIEWED	APPROVED	DRAWING NO	
김창기					
2010.09.16				CODE NO	

REV.NO	DATE	REVISION DESCRIPTION	DRAWN	CHECKED	APPROVED	구멍간 거리	3-6	6-30	30-120	120-315	315-1000
						±0.1	±0.2	±0.3	±0.5	±0.8	

L K L K HOIST CO., LTD.

물범북제 및 배포금지