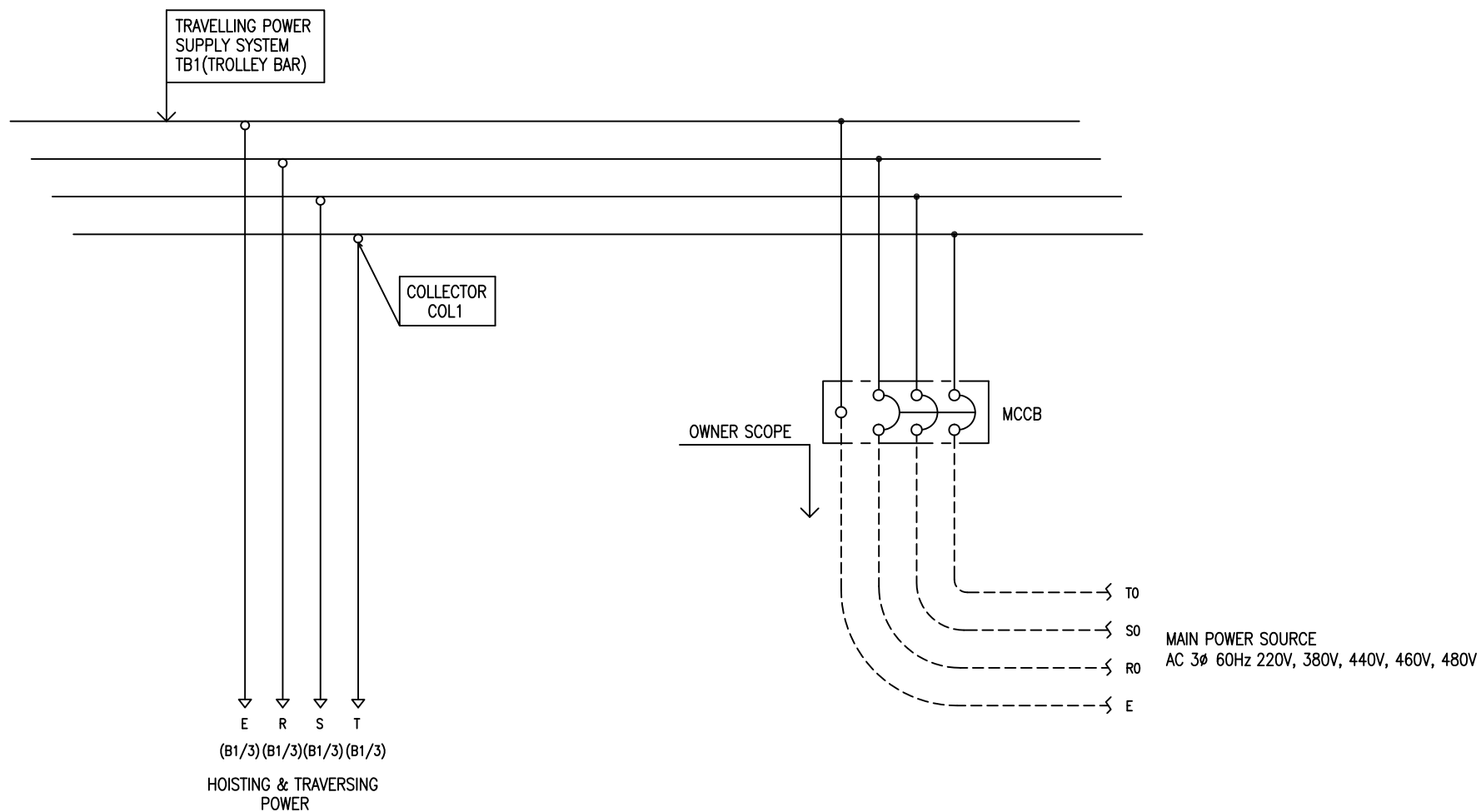


POWER CIRCUIT
TRAVELLING POWER SUPPLY SYSTEM

ADDRESS NO.

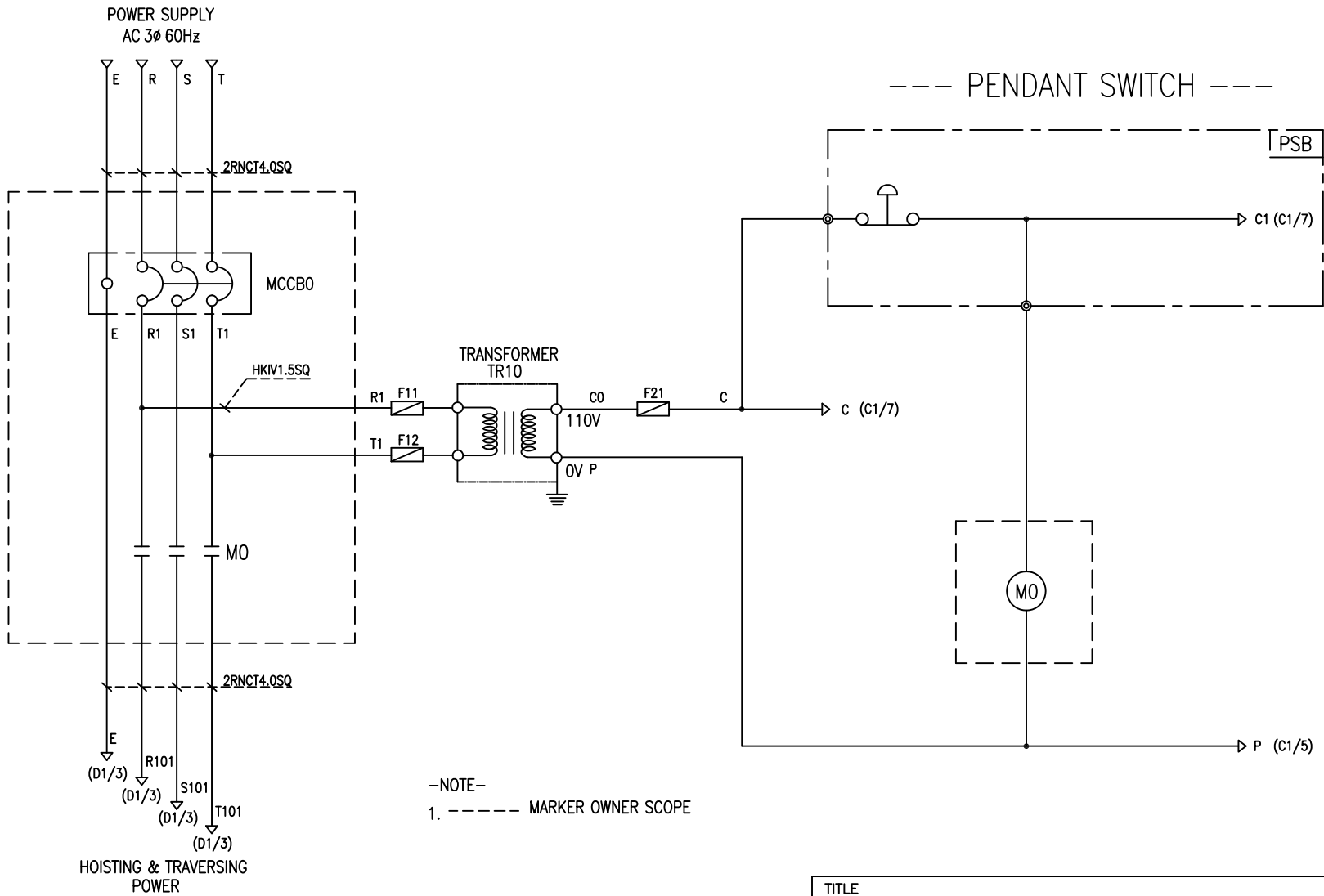
A1



-NOTE-

1. - - - - MARKED OWNER SCOPE
2. ——— MARKED CRAIN MAKER SCOPE

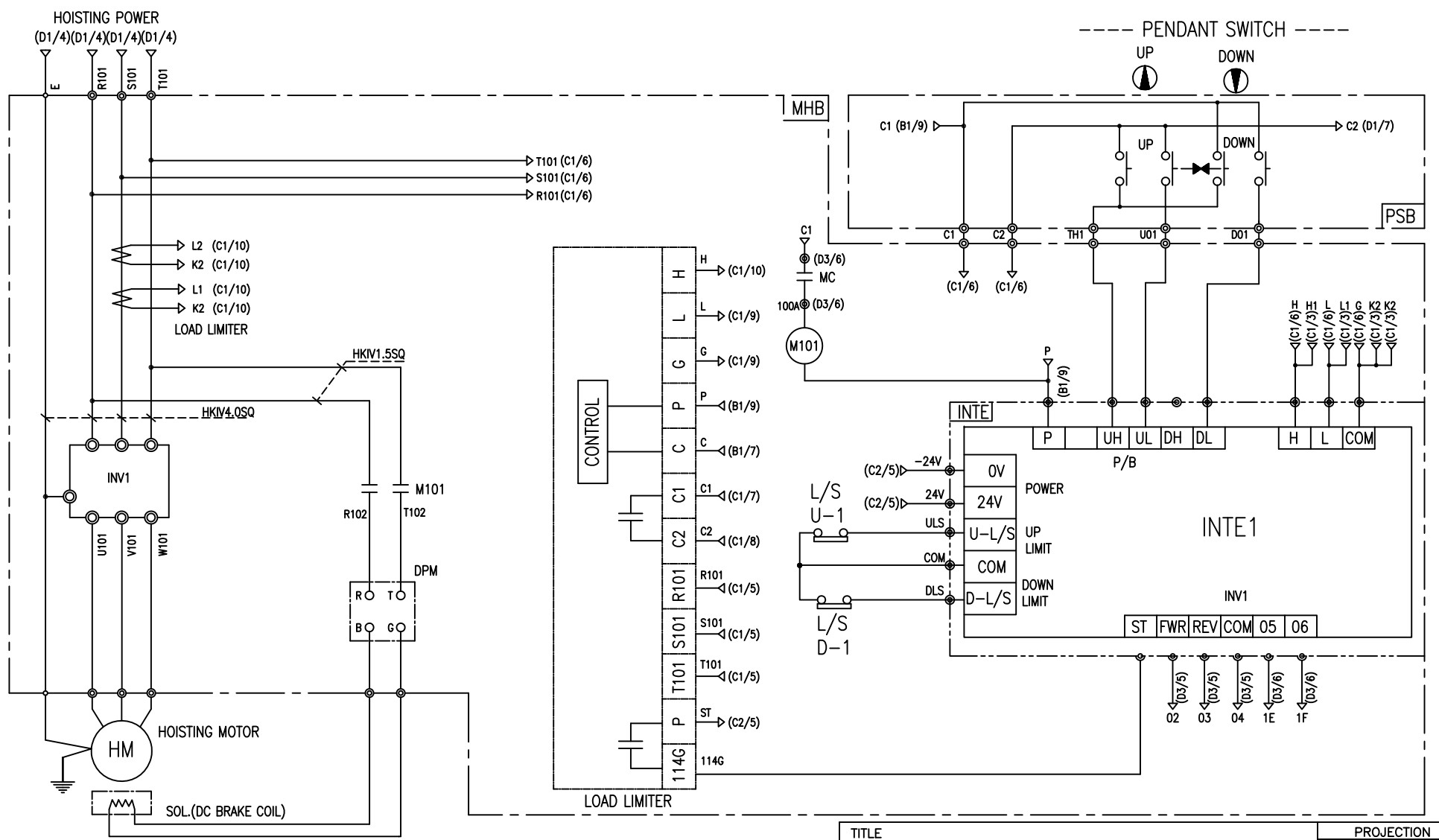
TITLE				PROJECTION	
MAIN POWER CIRCUIT DIAGRAM1					
WORK NO	WORK NAME			SCALE	Q' TY
601	DAM			1/1	1
220V, 380V, 440V, 460V, 480V					
DRAWN	CHECKED	REVIEWED	APPROVED	DRAWING NO	DAM
LEE G.H.				CODE NO	
2020.02.01					



-NOTE-
1. ----- MARKER OWNER SCOPE

SPECIFICATION	NO FUSE BREAKER	MAGNET CONTACT	TRANSFORMER	FUSE
SYMBOLS	MCCBO	MO	TR10	F11, F12, F21
DESCRIPTION	220V	30A	GMC22	DMC-22
	380V	15A		
	440V	15A		
	460V	15A		
	480V	15A		
MAKER	LS	LS	DONGA	LK

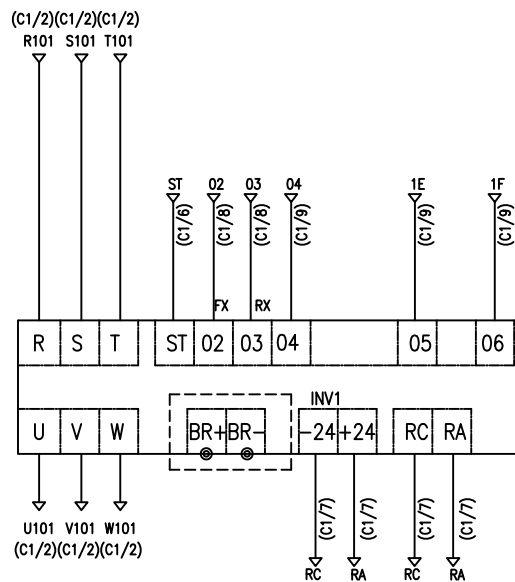
TITLE MAIN POWER & CONTROL CIRCUIT DIAGRAM						PROJECTION 	
WORK NO 602		WORK NAME DAM				SCALE 1/1	Q' TY 1
DRAWN LEE.G.H	CHECKED	REVIEWED	APPROVED	MODEL DAM	CODE NO		
2020.02.01							
L K HOIST CO., LTD.							



-NOTE-
 1. —> —> : Mechanical Interlock

SPECIFICATION	RELAY	LOAD LIMITER	SILICON RECTIFIER				HOIST MOTOR	
SYMBOLS	M101	-	DPM				HM	
DESCRIPTION	2A2B	LKDL-80	AC220V	AC380V	AC440V	AC460V	AC480V	1.8Kw * 4P
			DC99V	DC171V	DC198V	DC207V	DC216V	
MAKER	DAE-IL	LK	SAMMUSCO				LK	

TITLE HOIST POWER & CONTROL CIRCUIT DIAGRAM						PROJECTION 	
WORK NO 603		WORK NAME DAM				SCALE 1/1	Q' TY 1
DRAWN LEE.G.H	CHECKED	REVIEWED	APPROVED	MODEL DAM	CODE NO		
2020.02.01							
L K HOIST CO., LTD.							

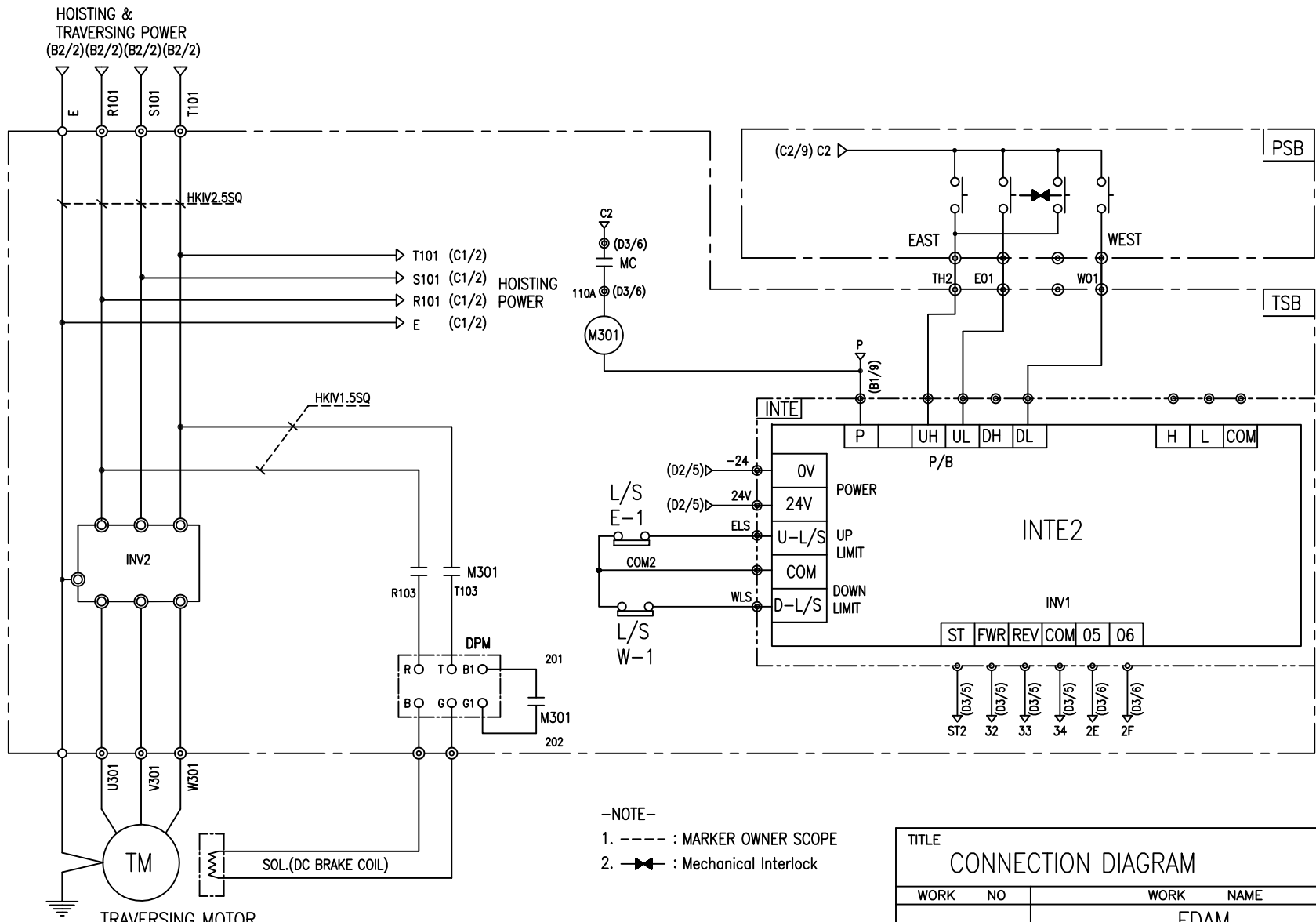


-NOTE-

1. ----- : OPTION SCOPE

SPECIFICATION	INVERTER	BRAKING RESISTOR	
SYMBOLS	INV1	BR	
DESCRIPTION	4.0KW	200V	600W 33 OHM
		400V	600W 130 OHM
MAKER	LS	-	

TITLE						(D1/6) PROJECTION	
INVERTER CONTROL CIRCUIT DIAGRAM							
WORK NO.	WORK NAME					SCALE	Q' TY
604	HOISTING					1/1	1
220V, 380V, 440V, 460V, 480V							
DRAWN	CHECKED	REVIEWED	APPROVED	MODEL	DAM		
LEE.G.H							
2020.02.01				CODE NO			
L K HOIST CO., LTD.							



-NOTE-
 1. - - - - : MARKER OWNER SCOPE
 2. —|> : Mechanical Interlock

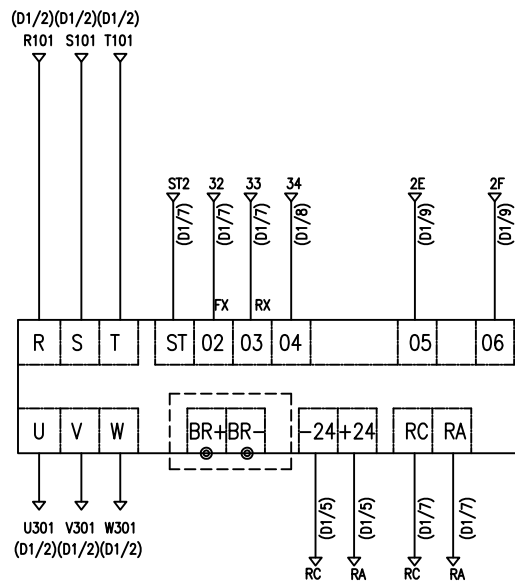
SPECIFICATION	MAGNET CONTACT	SILICON RECTIFIER					HOIST MOTOR
SYMBOLS	M301	DPM					TM
DESCRIPTION	DMC12b	AC220V	AC380V	AC440V	AC460V	AC480V	0.75Kw * 4P
		DC99V	DC171V	DC198V	DC207V	DC216V	0.4Kw * 6P
MAKER	DONG-A	YANG-YEUNG					LK

TITLE CONNECTION DIAGRAM						PROJECTION 	
WORK NO	WORK NAME					SCALE	Q' TY
605	FDAM						
220V, 380V, 440V, 460V, 480V							
DRAWN	CHECKED	REVIEWED	APPROVED	MODEL	FDAM		
LEE.G.H					CODE NO	CODE_NO	
2020.02.01							
L K HOIST CO., LTD.							

HOIST CONTROL CIRCUIT

ADDRESS NO.

D2



-NOTE-

1. ----- : OPTION SCOPE

SPECIFICATION	INVERTER	BRAKING RESISTOR	
SYMBOLS	INV2	BR	
DESCRIPTION	0.75KW	200V	150W 150 OHM
		400V	150W 600 OHM
MAKER	LS	-	

TITLE				(D1/6) PROJECTION	
INVERTER CONTROL CIRCUIT DIAGRAM					
WORK NO	WORK NAME			SCALE	Q' TY
606	TRAVERSING			1/1	1
220V, 380V, 440V, 460V, 480V					
DRAWN	CHECKED	REVIEWED	APPROVED	MODEL	DAM
LEE.G.H				CODE NO	
2020.02.01					

SCHEDULE OF TECHNICAL DATA

1. SERVICE	HOISTING
2. MANUFACTURE	LK HOIST CO. LTD
3. MOTOR MODEL NO	1.8 - 4 - 48
4. RATED POWER	1.8 KW × 4 P
5. RATED VOLTAGE AND FREQUENCY	480 V 60HZ
6. MOTOR TYPE	SQUIRREL CAGE ROTOR TYPE
7. RATING	30 MIN
8. LOCATION	IN-DOOR , OUTDOOR
9. INSULATION CLASS	B
10. DESIGN TEMPERATURE RISE (BY RESISTANCE)	80℃
11. FULL LOAD SPEED	1740 RPM
12. FULL LOAD CURRENT	4.3 A
13. STARTING CURRENT AT RATED VOLTAGE	21.5 A
14. MINIMUM STARTING VOLTAGE	397 V
15. EFFICIENCY AT 100% RATED LOAD	72.3 %
16. POWER FACTOR AT 100% RATED LOAD	69.6 %
17. STARTING TORQUE	244 %
18. TYPE OF ENCLOSURE	전폐형
19. TYPE OF BEARING	PL : 6008DD OPL : 6207ZZ
20. MOUNTING	VERTICAL
21. MAXIMUM AMBIENT TEMPURE	40℃
22. BEARING LUBRICATION	GREASE
23. STARTING METHOD	FULL VOLTAGE

SCHEDULE OF TECHNICAL DATA

1. SERVICE	TRAVERSING
2. MANUFACTURE	LK HOIST CO. LTD
3. MOTOR MODEL NO	0.75 - 4 - 48
4. RATED POWER	0.75 KW × 4 P
5. RATED VOLTAGE AND FREQUENCY	480 V 60HZ
6. MOTOR TYPE	SQUIRREL CAGE ROTOR TYPE
7. RATING	15 MIN
8. LOCATION	OUTDOOR
9. INSULATION CLASS	B
10. DESIGN TEMPERATURE RISE (BY RESISTANCE)	100℃
11. FULL LOAD SPEED	1710 RPM
12. FULL LOAD CURRENT	2.2 A
13. STARTING CURRENT AT RATED VOLTAGE	12.1 A
14. MINIMUM STARTING VOLTAGE	432 V
15. EFFICIENCY AT 100% RATED LOAD	65 %
16. POWER FACTOR AT 100% RATED LOAD	63 %
17. STARTING TORQUE	250 %
18. TYPE OF ENCLOSURE	전폐형
19. TYPE OF BEARING	PL : 6008DD OPL : 6207ZZ
20. MOUNTING	VERTICAL
21. MAXIMUM AMBIENT TEMPURE	40℃
22. BEARING LUBRICATION	GREASE
23. STARTING METHOD	FULL VOLTAGE

SCHEDULE OF TECHNICAL DATA

1. SERVICE	TRAVERSING
2. MANUFACTURE	LK HOIST CO. LTD
3. MOTOR MODEL NO	0.4 - 6 - 48
4. RATED POWER	0.4 KW × 6 P
5. RATED VOLTAGE AND FREQUENCY	480 V 60HZ
6. ROTOR TYPE	SQUIRREL CAGE ROTOR TYPE
7. RATING	15 MIN
8. LOCATION	OUTDOOR
9. INSULATION CLASS	B
10. DESIGN TEMPERATURE RISE (BY RESISTANCE)	100℃
11. FULL LOAD SPEED	1140 RPM
12. FULL LOAD CURRENT	1.47 A
13. STARTING CURRENT AT RATED VOLTAGE	8.1 A
14. MINIMUM STARTING VOLTAGE	432 V
15. EFFICIENCY AT 100% RATED LOAD	65 %
16. POWER FACTOR AT 100% RATED LOAD	63 %
17. STARTING TORQUE	249 %
18. TYPE OF ENCLOSURE	전폐형
19. TYPE OF BEARING	PL : 6008DD OPL : 6207ZZ
20. MOUNTING	VERTICAL
21. MAXIMUM AMBIENT TEMPERATURE	40℃
22. BEARING LUBRICATION	GREASE
23. STARTING METHOD	FULL VOLTAGE