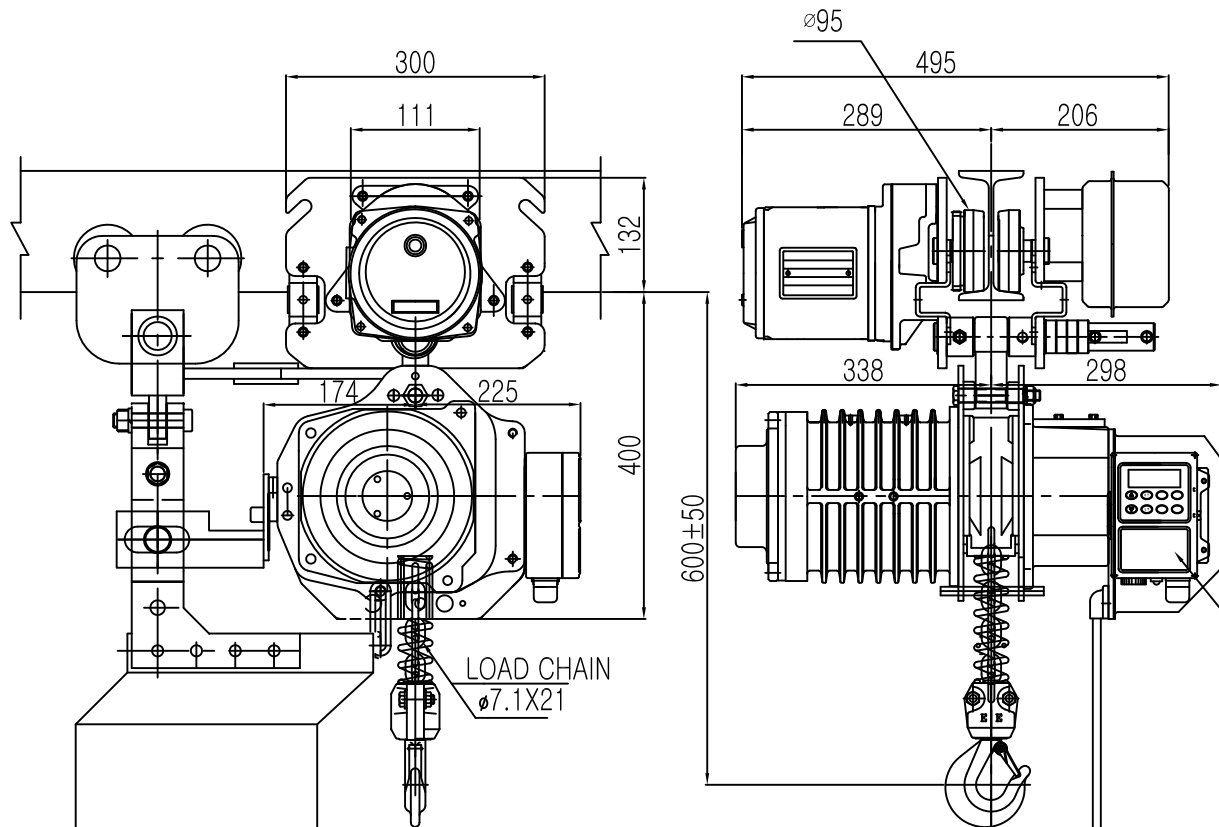


# L K HOIST

NO	DESCRIPTION	SIZE	MAT L	Q' TY	WT (kg)	REMARKS



## SPECIFICATION

		LK-DBM-1S		
RATED LOAD (TON)		1.0		
TESTING LOAD (TON)		1.25		
LIFTING HEIGHT (M)		50		
HOISTING	SPEED (M/MIN)	8.2/2.7		
	MOTOR (KW)	1.8/0.7kw x 2/6p		
TRAVERSING	SPEED (M/MIN)	22	14	22/7
	MOTOR (KW)	0.4kw x 4p	0.3kw x 6p	0.4/0.14kw x 4/12p
POWER SUPPLY		AC220.380.440.460.480vx3φ x 60 Hz		
OPERATING METHOD		P.B type ON . FL		
LOAD CHAIN		φ7.1 X 21 (1FALL)		
WEIGHT (KG)		172		
I-BEAM 적용폭		75 ~ 175MM		

적용 I-BEAM)

- 1) 지점간거리 : I-150X75X5.5/9.5-2.8M
- 2) 지점간 거리: I-200X100X7/10 - 4.5M
- 3) 지점간거리 : I-250X125X7.5/12.5-6.5M
- 4) 지점간거리 : I-300X150X10/18.5-9.5M
- 5) 지점간거리 : I-450X175X13/26-15M

### NOTE

- 1) 점검 설비를 갖출 것
- 2) 인허가 서류를 완성검사시 제출 할 것

TITLE					PROJECTION	
ELECTRIC CHAIN HOIST DBM-1S						
WORK NO	WORK NAME				SCALE	Q' TY
	LK-DBM-1S					1
DRAWN	CHECKED	REVIEWED	APPROVED	DRAWING NO		
김 창 기				CODE NO		
2010.08.01						

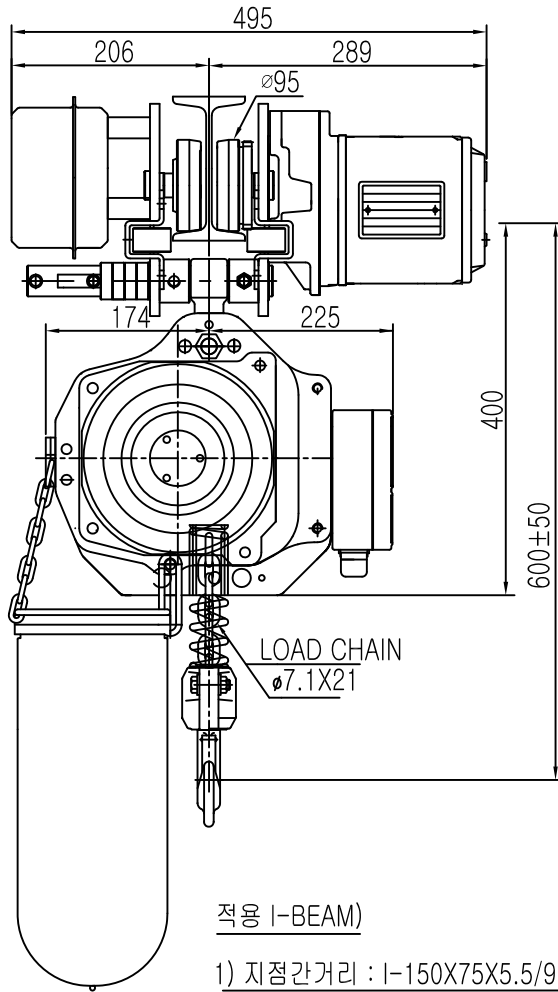


L K HOIST CO., LTD.

REV.NO	DATE	REVISION DESCRIPTION	DRAWN	CHECKED	APPROVED

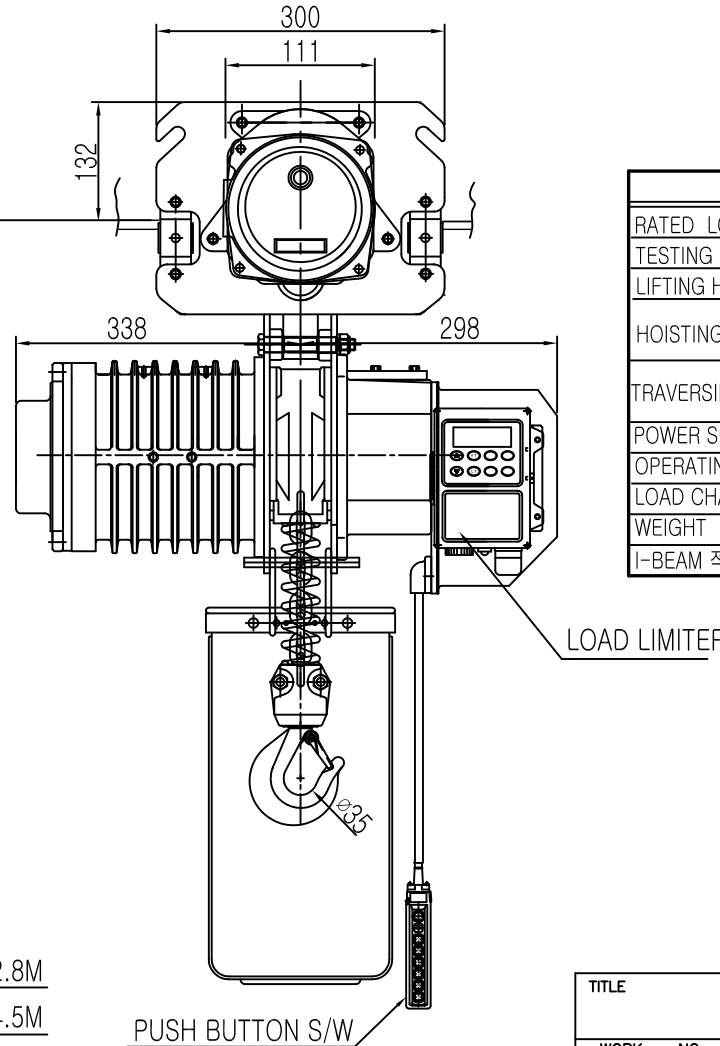
# L K HOIST

NO	DESCRIPTION	SIZE	MAT' L	Q' TY	WT (kg)	REMARKS



적용 I-BEAM)

- 1) 지점간거리 : I-150X75X5.5/9.5-2.8M
- 2) 지점간 거리: I-200X100X7/10 - 4.5M
- 3) 지점간거리 : I-250X125X7.5/12.5-6.5M
- 4) 지점간거리 : I-300X150X10/18.5-9.5M
- 5) 지점간거리 : I-450X175X13/26-15M



## SPECIFICATION

		LK-DBM-1S		
RATED LOAD	(TON)	1.0		
TESTING LOAD	(TON)	1.25		
LIFTING HEIGHT	(M)	50		
HOISTING	SPEED (M/MIN)	8.2/2.7		
	MOTOR (KW)	1.8/0.7kw x 2/6p		
TRAVERSING	SPEED (M/MIN)	22	14	22/7
	MOTOR (KW)	0.4kw x 4p	0.3kw x 6p	0.4/0.14kw x 4/12p
POWER SUPPLY	AC220.380.440.460.480Vx3φ x 60 Hz			
OPERATING METHOD	P.B type ON . FL			
LOAD CHAIN	φ7.1 X 21 (1FALL)			
WEIGHT	(KG)	172		
I-BEAM 적용폭	75 ~ 175MM			

NOTE)

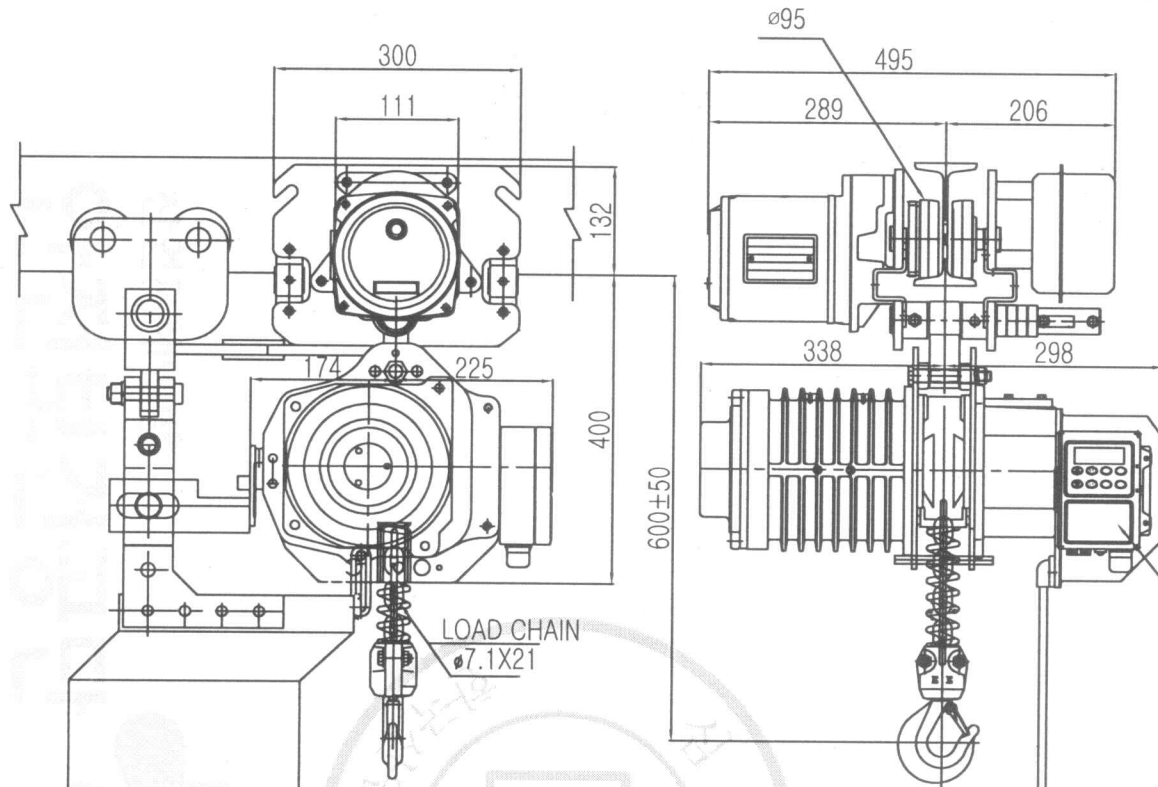
- 1) 점검 설비를 갖출 것
- 2) 인허가 서류를 완성검사시 제출 할 것

TITLE					PROJECTION	
ELECTRIC CHAIN HOIST						
WORK NO	WORK NAME				SCALE	Q' TY
	LK-DBM-1S				N/S	1
DRAWN	CHECKED	REVIEWED	APPROVED	DRAWING NO		
김 창 기				CODE NO		
2010.08.01						

REV.NO	DATE	REVISION	DESCRIPTION	DRAWN	CHECKED	APPROVED

# L K HOIST

NO	DESCRIPTION	SIZE	MAT L	Q' TY	WT (kg)	REMARKS



## SPECIFICATION

		LK-DBM-1S			
RATED LOAD (TON)		1.0			
TESTING LOAD (TON)		1.25			
LIFTING HEIGHT (M)		50			
HOISTING	SPEED (M/MIN)	8.2/2.7			
	MOTOR (KW)	1.8/0.7kw x 2/6p			
TRAVERSING	SPEED (M/MIN)	22	14	22/7	
	MOTOR (KW)	0.4kw x 4p	0.3kw x 6p	0.4/0.14kw x 4/12p	
POWER SUPPLY		AC220.380.440.460.480Vx3ø x 60 Hz			
OPERATING METHOD		P.B type ON . FL			
LOAD CHAIN		ø7.1 X 21 (1FALL)			
WEIGHT (KG)		172			
I-BEAM 적용폭		75 ~ 175MM			

### 적용 I-BEAM)

- 1) 지점간거리 : I-150X75X5.5/9.5-2.8M
- 2) 지점간 거리: I-200X100X7/10 - 4.5M
- 3) 지점간거리 : I-250X125X7.5/12.5-6.5M
- 4) 지점간거리 : I-300X150X10/18.5-9.5M
- 5) 지점간거리 : I-450X175X13/26-15M

### NOTE)

- 1)점검 설비를 갖출 것
- 2)인허가 서류를 완성검사시 제출 할 것

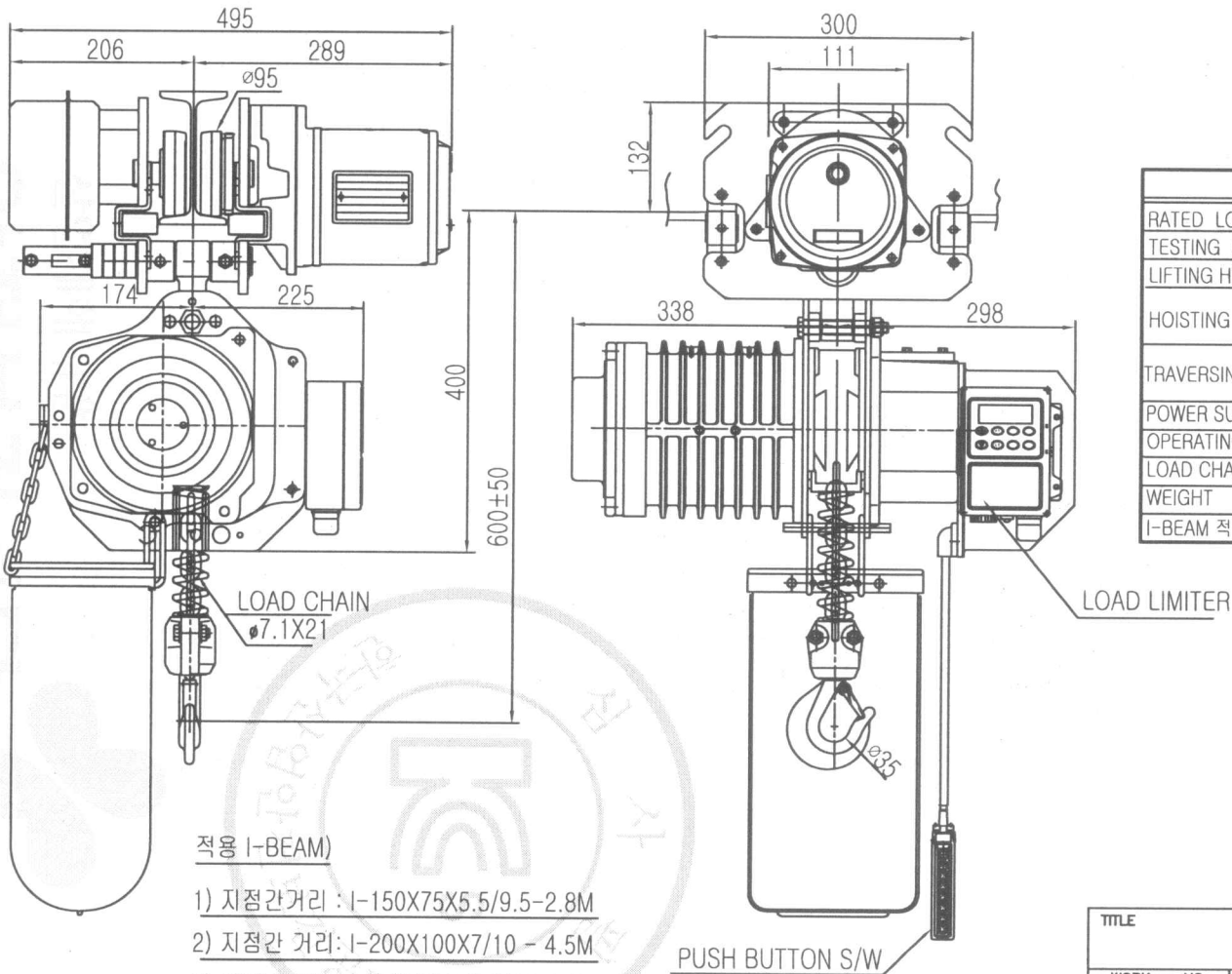
PUSH BUTTON S/W

TITLE					PROJECTION	
ELECTRIC CHAIN HOIST DBM-1S						
WORK NO	WORK NAME				SCALE	Q' TY
	LK-DBM-1S					1
DRAWN	CHECKED	REVIEWED	APPROVED	DRAWING NO		
김창기				2010.08.01	CODE NO	

REV.NO	DATE	REVISION DESCRIPTION	DRAWN	CHECKED	APPROVED

# L K HOIST

NO	DESCRIPTION	SIZE	MAT'L	Q'TY	WT (kg)	REMARKS



## SPECIFICATION

		LK-DBM-1S		
RATED LOAD	(TON)	1.0		
TESTING LOAD	(TON)	1.25		
LIFTING HEIGHT	(M)	50		
HOISTING	SPEED (M/MIN)	8.2/2.7		
	MOTOR (KW)	1.8/0.7kw x 2/6p		
TRAVERSING	SPEED (M/MIN)	22	14	22/7
	MOTOR (KW)	0.4kw x 4p	0.3kw x 6p	0.4/0.14kw x 4/12p
POWER SUPPLY	AC220.380.440.460.480Vx3ø x 60 Hz			
OPERATING METHOD	P.B type ON . FL			
LOAD CHAIN	ø7.1 X 21 (1FALL)			
WEIGHT	(KG)	172		
I-BEAM 적용폭	75 ~ 175MM			

### NOTE)

- 1) 점검 설비를 갖출 것
- 2) 인허가 서류를 완성검사시 제출 할 것

적용 I-BEAM)

- 1) 지점간거리 : I-150X75X5.5/9.5-2.8M
- 2) 지점간 거리: I-200X100X7/10 - 4.5M
- 3) 지점간거리 : I-250X125X7.5/12.5-6.5M
- 4) 지점간거리 : I-300X150X10/18.5-9.5M
- 5) 지점간거리 : I-450X175X13/26-15M

TITLE					PROJECTION	
ELECTRIC CHAIN HOIST						
WORK NO	WORK NAME				SCALE	Q' TY
	LK-DBM-1S				N/S	1
DRAWN	CHECKED	REVIEWED	APPROVED	DRAWING NO		
김창기				CODE NO		
2010.08.01						

REV.NO	DATE	REVISION	DESCRIPTION	DRAWN	CHECKED	APPROVED

물범북제 및 배포금지