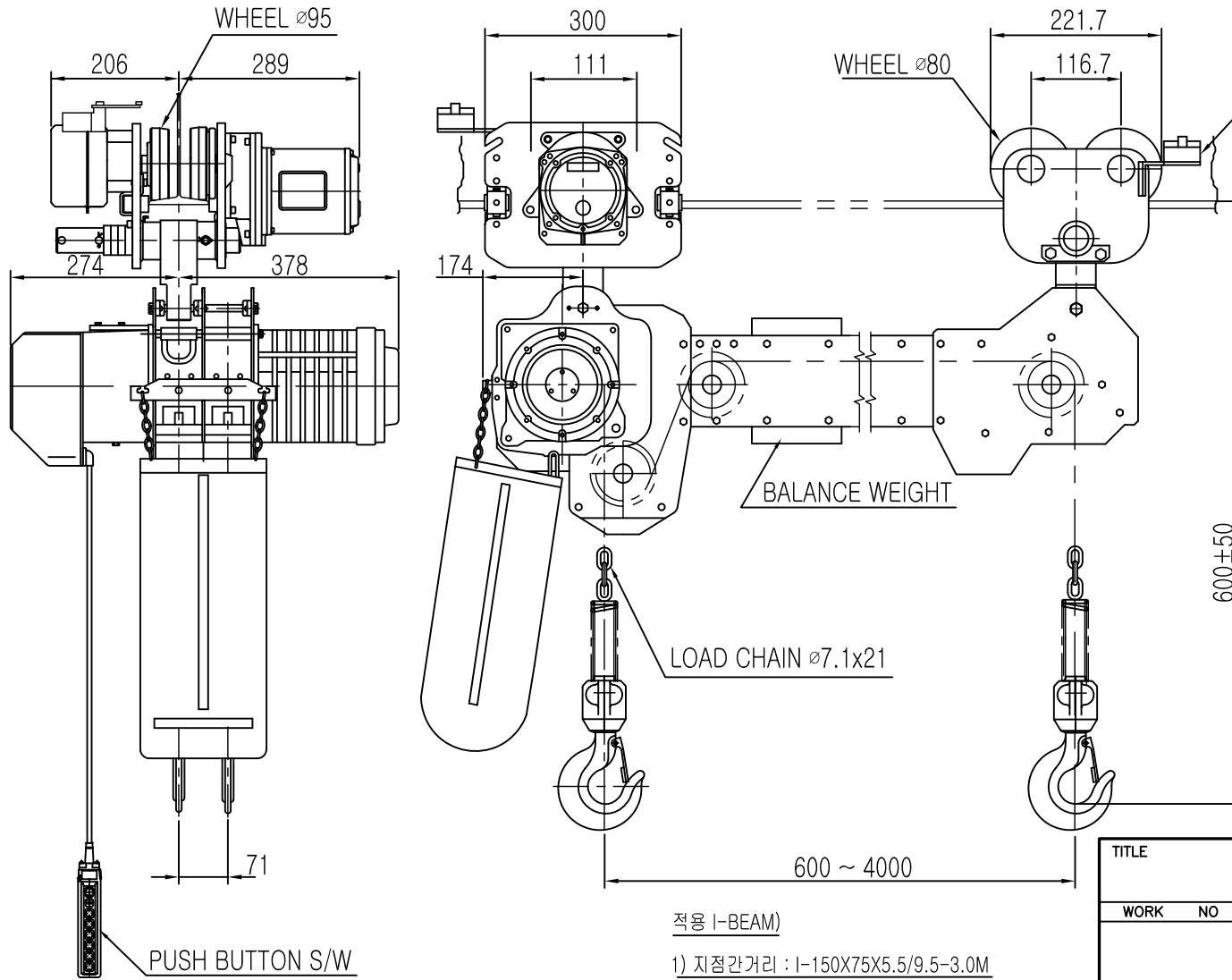


ON 3MD

# L K HOIST

NO	DESCRIPTION	SIZE	MAT' L	Q' TY	WT (kg)	REMARKS



## SPECIFICATION

		LK-DHDAM-0.5S		
RATED LOAD (TON)		0.5		
TESTING LOAD (TON)		0.625		
LIFTING HEIGHT (M)		50		
HOISTING	SPEED (M/MIN)	8.2		
	MOTOR (KW)	1.8kw x 4p		
TRAVERSING	SPEED (M/MIN)	22	14	22/7
	MOTOR (KW)	0.4kw x 4p	0.3kw x 6p	0.4/0.14kw x 4/12p
POWER SUPPLY		AC220.380.440.460.480Vx3 $\phi$ x 60 Hz		
OPERATING METHOD		P.B type ON . FL		
LOAD CHAIN		$\varnothing 7.1 \times 21$ (1FALL)		
WEIGHT (KG)		366		
I-BEAM 적용폭		75 ~ 175MM		

### NOTE)

- 1) 점검 설비를 갖출 것
- 2) 인허가 서류를 완성검사시 제출 할 것

### 적용 I-BEAM)

- 1) 지점간거리 : I-150X75X5.5/9.5-3.0M
- 2) 지점간 거리 : I-200X100X7/10 - 5.0M
- 3) 지점간거리 : I-250X125X7.5/12.5-7.5M
- 4) 지점간거리 : I-300X150X10/18.5-10M
- 5) 지점간거리 : I-450X175X13/26-15M

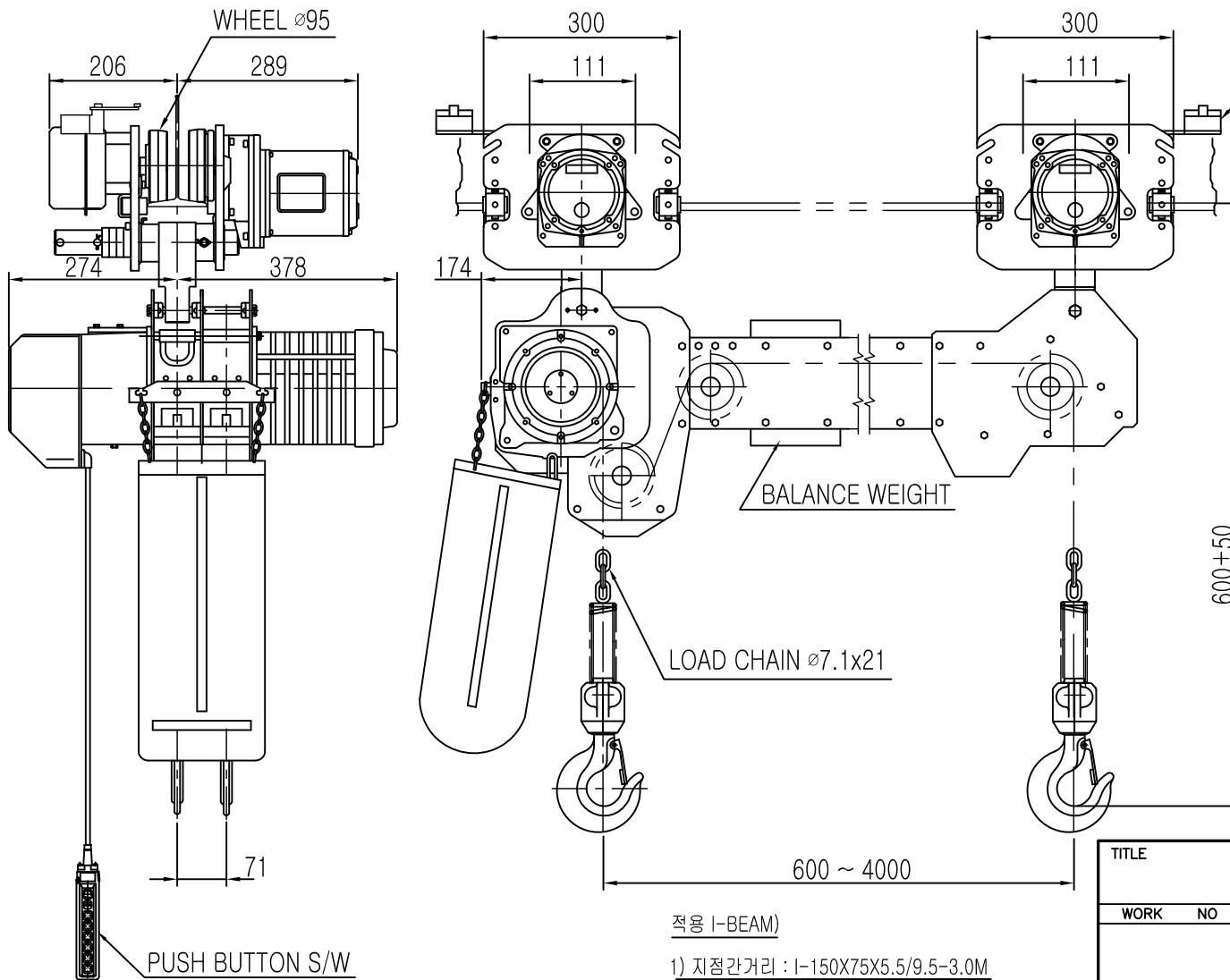
REV.NO	DATE	REVISION	DESCRIPTION	DRAWN	CHECKED	APPROVED

TITLE					PROJECTION	
ELECTRIC CHAIN HOIST						
WORK NO	WORK NAME				SCALE	Q' TY
	LK-DHDAM-0.5S				N S	1
DRAWN	CHECKED	REVIEWED	APPROVED	DRAWING NO		
김창기						
2010.08.01				CORD NO		

ON 5MG

# L K HOIST

NO	DESCRIPTION	SIZE	MAT' L	Q' TY	WT (kg)	REMARKS
----	-------------	------	--------	-------	---------	---------



## SPECIFICATION

		LK-DHDAM-0.5S		
RATED LOAD	(TON)	0.5		
TESTING LOAD	(TON)	0.625		
LIFTING HEIGHT	(M)	50		
HOISTING	SPEED (M/MIN)	8.2		
	MOTOR (KW)	1.8kw x 4p		
TRAVERSING	SPEED (M/MIN)	22	14	22/7
	MOTOR (KW)	0.4kwx4p-2set	0.3kwx6p-2set	0.4/0.14kwx4/12p-2set
POWER SUPPLY	AC220,380,440,460,480Vx3ø x 60 Hz			
OPERATING METHOD	P.B type ON, FL			
LOAD CHAIN	ø7.1 X 21 (1FALL)			
WEIGHT	(KG)	366		
I-BEAM 적용폭	75 ~ 175MM			

NOTE)

- 1) 점검 설비를 갖출 것
- 2) 인허가 서류를 완성검사시 제출 할 것

적용 I-BEAM)

- 1) 지점간거리 : I-150X75X5.5/9.5-3.0M
- 2) 지점간 거리 : I-200X100X7/10 - 5.0M
- 3) 지점간거리 : I-250X125X7.5/12.5-7.5M
- 4) 지점간거리 : I-300X150X10/18.5-10M
- 5) 지점간거리 : I-450X175X13/26-15M

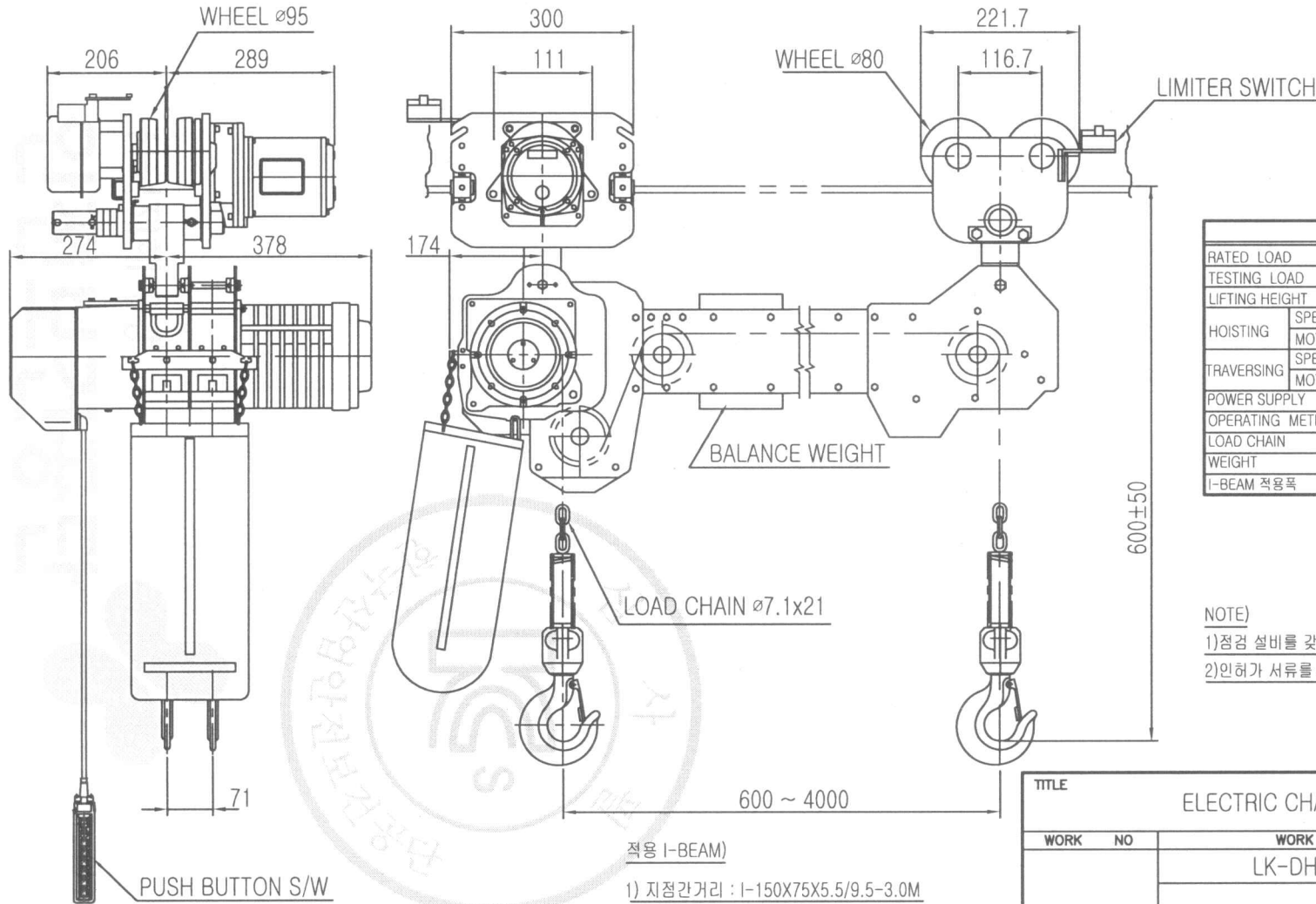
TITLE					PROJECTION	
ELECTRIC CHAIN HOIST						
WORK NO	WORK NAME				SCALE	Q' TY
	LK-DHDAM-0.5S				N S	1
DRAWN	CHECKED	REVIEWED	APPROVED	DRAWING NO		
김창기						
2010.08.01				CORD NO		

REV.NO	DATE	REVISION	DESCRIPTION	DRAWN	CHECKED	APPROVED
--------	------	----------	-------------	-------	---------	----------

ON GMD

# L K HOIST

NO	DESCRIPTION	SIZE	MAT'L	Q'TY	WT (kg)	REMARKS
----	-------------	------	-------	------	---------	---------



		LK-DHDAM-0.5S	
RATED LOAD (TON)		0.5	
TESTING LOAD (TON)		0.625	
LIFTING HEIGHT (M)		50	
HOISTING	SPEED (M/MIN)	8.2	
	MOTOR (KW)	1.8kw x 4p	
TRAVERSING	SPEED (M/MIN)	22	14 22/7
	MOTOR (KW)	0.4kw x 4p	0.3kw x 6p 0.4/0.14kw x 4/12p
POWER SUPPLY		AC220.380.440.460.480Vx3 $\phi$ x 60 Hz	
OPERATING METHOD		P.B type ON, FL	
LOAD CHAIN		$\varnothing 7.1 \times 21$ (1FALL)	
WEIGHT (KG)		366	
I-BEAM 적용폭		75 ~ 175MM	

NOTE)

- 1) 점검 설비를 갖출 것
- 2) 인허가 서류를 완성검사시 제출 할 것

적용 I-BEAM)

- 1) 지점간거리 : I-150X75X5.5/9.5-3.0M
- 2) 지점간 거리 : I-200X100X7/10 - 5.0M
- 3) 지점간거리 : I-250X125X7.5/12.5-7.5M
- 4) 지점간거리 : I-300X150X10/18.5-10M
- 5) 지점간거리 : I-450X175X13/26-15M

TITLE		ELECTRIC CHAIN HOIST		PROJECTION	
WORK NO		WORK NAME	LK-DHDAM-0.5S	SCALE	Q'TY
				N S	1
DRAWN	CHECKED	REVIEWED	APPROVED	DRAWING NO	
김 창 기				CORD NO	
2010.08.01					
<b>L K HOIST CO., LTD.</b>					

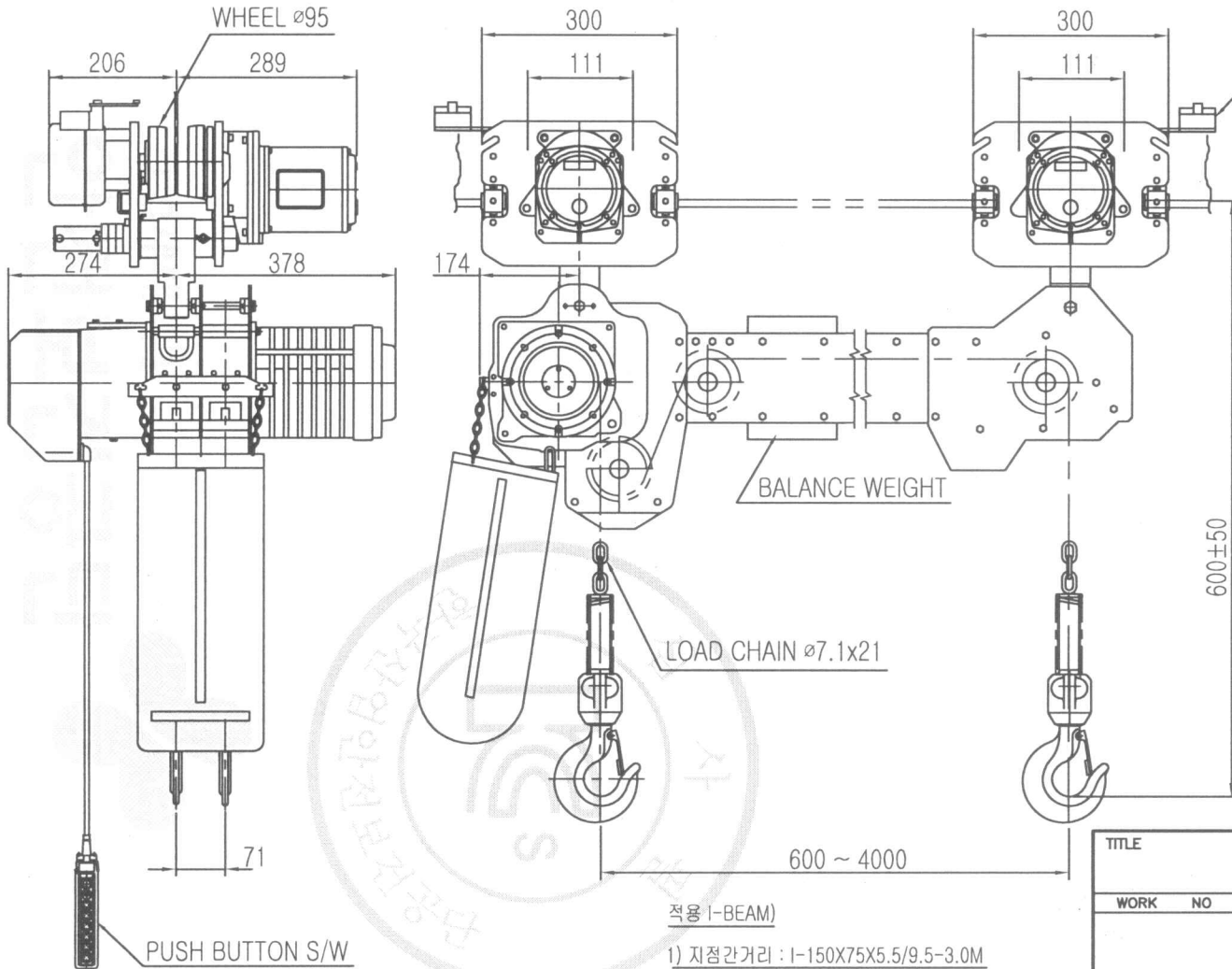
REV.NO	DATE	REVISION	DESCRIPTION	DRAWN	CHECKED	APPROVED
--------	------	----------	-------------	-------	---------	----------

물범북제 및 배포금지

ON OMC

# L K HOIST

NO	DESCRIPTION	SIZE	MAT L	Q' TY	WT (kg)	REMARKS
----	-------------	------	-------	-------	---------	---------



## SPECIFICATION

		LK-DHDAM-0.5S		
RATED LOAD (TON)	0.5			
TESTING LOAD (TON)	0.625			
LIFTING HEIGHT (M)	50			
HOISTING	SPEED (M/MIN)	8.2		
	MOTOR (KW)	1.8kw x 4p		
TRAVERSING	SPEED (M/MIN)	22	14	22/7
	MOTOR (KW)	0.4kwx4p-2set	0.3kwx6p-2set	0.4/0.14kwx4/12p-2set
POWER SUPPLY	AC220,380,440,460,480Vx3ø x 60 Hz			
OPERATING METHOD	P.B type ON . FL			
LOAD CHAIN	ø7.1 X 21 (1FALL)			
WEIGHT (KG)	366			
I-BEAM 적용폭	75 ~ 175MM			

NOTE

- 1)정검 설비를 갖출 것
- 2)인허가 서류를 완성검사시 제출 할 것

적용 I-BEAM)

- 1) 지점간거리 : I-150X75X5.5/9.5-3.0M
- 2) 지점간 거리: I-200X100X7/10 - 5.0M
- 3) 지점간거리 : I-250X125X7.5/12.5-7.5M
- 4) 지점간거리 : I-300X150X10/18.5-10M
- 5) 지점간거리 : I-450X175X13/26-15M

TITLE				PROJECTION	
ELECTRIC CHAIN HOIST					
WORK NO	WORK NAME			SCALE	Q' TY
	LK-DHDAM-0.5S			NS	1
DRAWN	CHECKED	REVIEWED	APPROVED	DRAWING NO	
김 창 기				CORD NO	
2010.08.01					



L K HOIST CO., LTD.

REV.NO	DATE	REVISION DESCRIPTION	DRAWN	CHECKED	APPROVED
--------	------	----------------------	-------	---------	----------

물범복제 및 배포금지