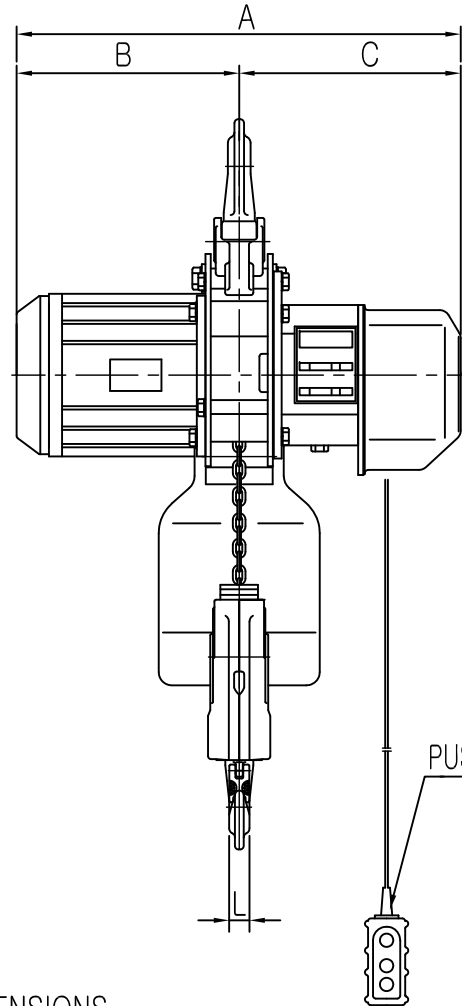
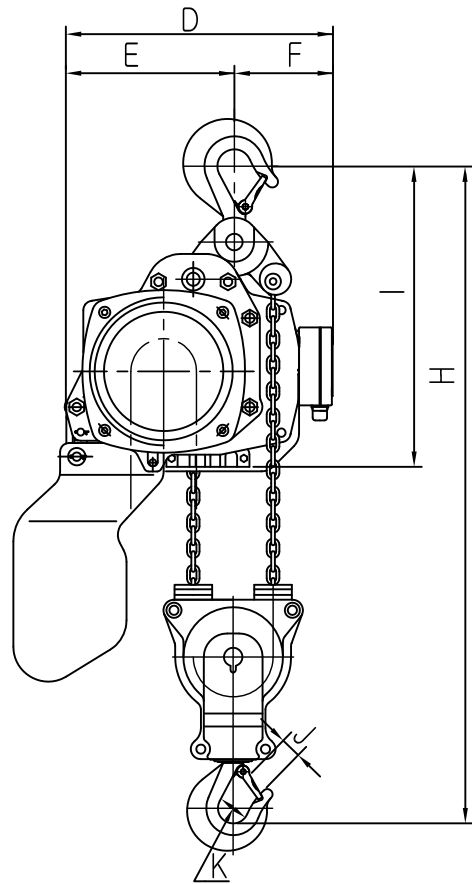


ON 9MD

L K HOIST

NO	DESCRIPTION	SIZE	MAT' L	Q' TY	WT (kg)	REMARKS



제조일 : 0000-00-00
 형식번호 : 00-000-00
 정격하중 : 00-000-00
 제조자 : (주)LK

SPECIFICATION

		LTD-2W
RATED LOAD	(TON)	2
TESTING LOAD	(TON)	2.5
LIFTING HEIGHT	(M)	50
HOISTING	SPEED (M/MIN)	4.1/1
	MOTOR (KW)	2.0/0.5 x 2/8p
WEIGHT	(KG)	178
POWER SUPPLY		AC220.380.440.460.480V x3ø x 60 Hz
OPERATING METHOD		P.B type ON . FL
LOAD CHAIN		ø7.1 X 21 (2FALL)

PUSH BUTTON 2POINT

NOTE

- 1) 점검 설비를 갖출 것
- 2) 인허가 서류를 완성검사시 제출 할 것

DIMENSIONS

MODEL	CAPACITY (ton)	A	B	C	D	E	F	H	I	J	K	L
LTD-2W	2	567	294	273	336	181	155	670	438	40	53.5	30

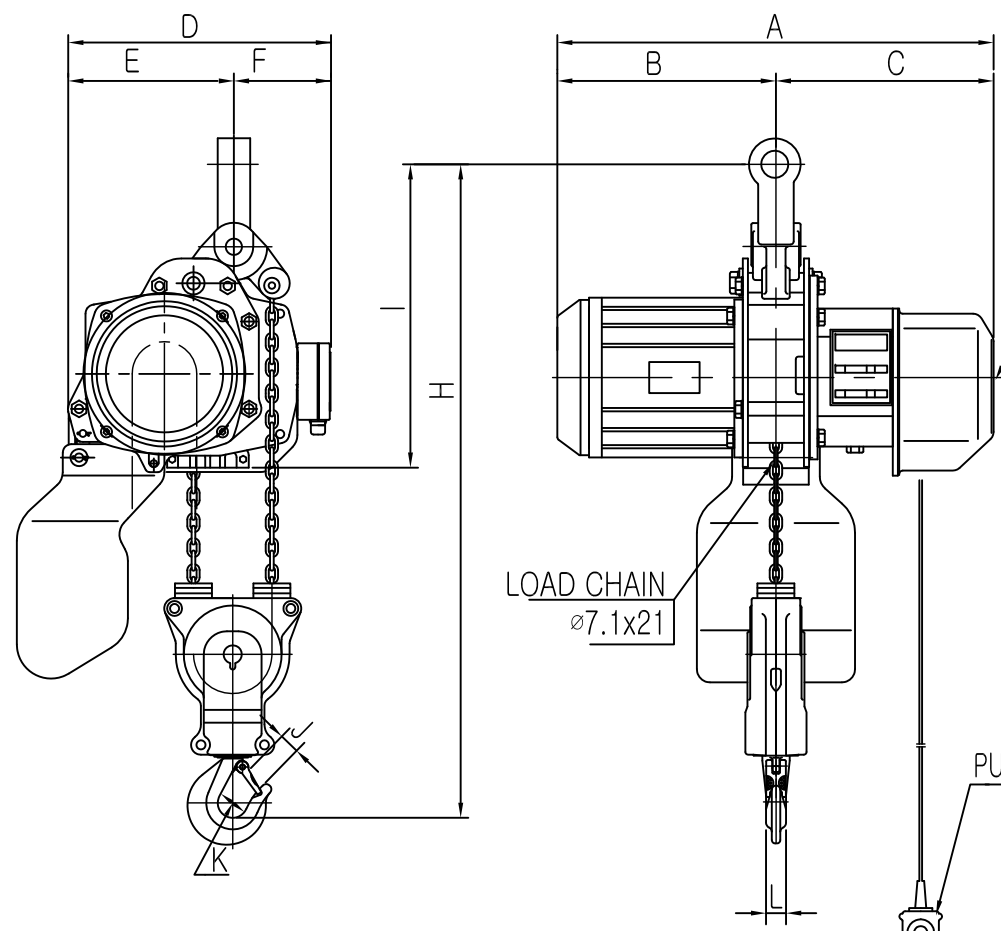
TITLE					PROJECTION	
CHAIN HOIST LTD-2W						
WORK NO	WORK NAME				SCALE	Q' TY
	HOOK TYPE				N S	1
DRAWN	CHECKED	REVIEWED	APPROVED	DRAWING NO		
김 창 기						
2010.07.15						

REV.NO	DATE	REVISION	DESCRIPTION	DRAWN	CHECKED	APPROVED

ON 9MD

L K HOIST

NO	DESCRIPTION	SIZE	MAT' L	Q' TY	WT (kg)	REMARKS



제조일 : 0000-00-00
 형식번호 : 00-000-00
 정격하중 : 00-000-00
 제조자 : (주)LK

SPECIFICATION

		LTD-2W
RATED LOAD	(TON)	2
TESTING LOAD	(TON)	2.5
LIFTING HEIGHT	(M)	50
HOISTING	SPEED (M/MIN)	4.1/1
	MOTOR (KW)	2.0/0.5 x 2/8p
WEIGHT	(KG)	178
POWER SUPPLY		AC220.380.440.460.480V x3ø x 60 Hz
OPERATING METHOD		P.B type ON . FL
LOAD CHAIN		ø7.1 X 21 (2FALL)

DIMENSIONS

MODEL	CAPACITY (ton)	A	B	C	D	E	F	H	I	J	K	L
LTD-2W	2	567	294	273	336	181	155	670	438	40	53.5	30

NOTE)

- 1)점검 설비를 갖출 것
- 2)인허가 서류를 완성검사시 제출 할 것

TITLE					PROJECTION	
CHAIN HOIST LTD-2W						
WORK NO	WORK NAME				SCALE	Q' TY
	CONNECTOR TYPE				N S	1
DRAWN	CHECKED	REVIEWED	APPROVED	DRAWING NO		
김 창 기						
2010.07.15						

REV.NO	DATE	REVISION	DESCRIPTION	DRAWN	CHECKED	APPROVED

ON 9MG

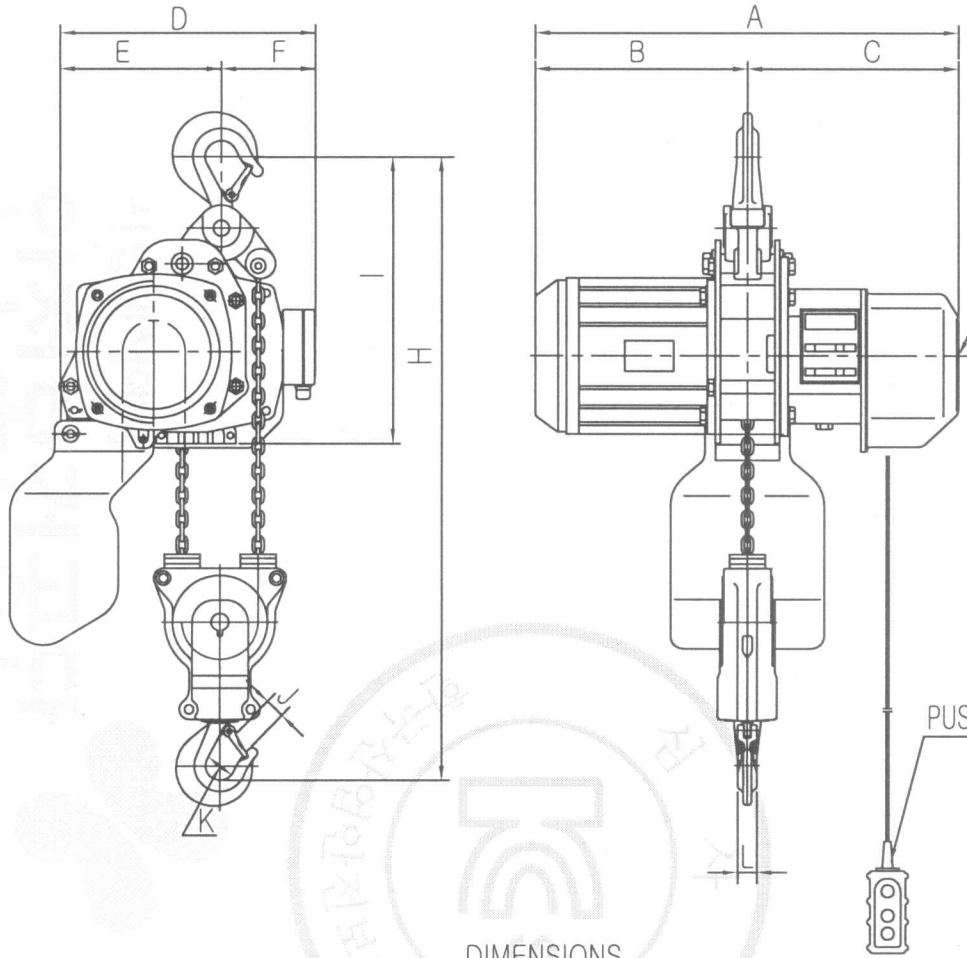
L K HOIST

NO	DESCRIPTION	SIZE	MAT L	Q' TY	WT (kg)	REMARKS

제조일 : 0000-00-00
 형식번호 : 00-000-00
 정격하중 : 00-000-00
 제조자 : (주)LK

SPECIFICATION

		LTD-2W
RATED LOAD	(TON)	2
TESTING LOAD	(TON)	2.5
LIFTING HEIGHT	(M)	50
HOISTING	SPEED (M/MIN)	4.1/1
	MOTOR (KW)	2.0/0.5 x 2/8p
WEIGHT	(KG)	178
POWER SUPPLY		AC220.380.440.460,480V x3φ x 60 Hz
OPERATING METHOD		P.B type ON . FL
LOAD CHAIN		φ7.1 X 21 (2FALL)



DIMENSIONS

PUSH BUTTON 2POINT

NOTE)

- 1)점검 설비를 갖출 것
- 2)인허가 서류를 완성검사시 제출 할 것

MODEL	CAPACITY (ton)	A	B	C	D	E	F	H	I	J	K	L
LTD-2W	2	567	294	273	336	181	155	670	438	40	53.5	30

TITLE					PROJECTION	
CHAIN HOIST LTD-2W						
WORK NO	WORK NAME		HOOK TYPE		SCALE	Q' TY
					N S	1
DRAWN	CHECKED	REVIEWED	APPROVED	DRAWING NO		
김창기						
2010.07.15						

REV.NO	DATE	REVISION	DESCRIPTION	DRAWN	CHECKED	APPROVED

물범복제 및 배포금지

ON 9MG

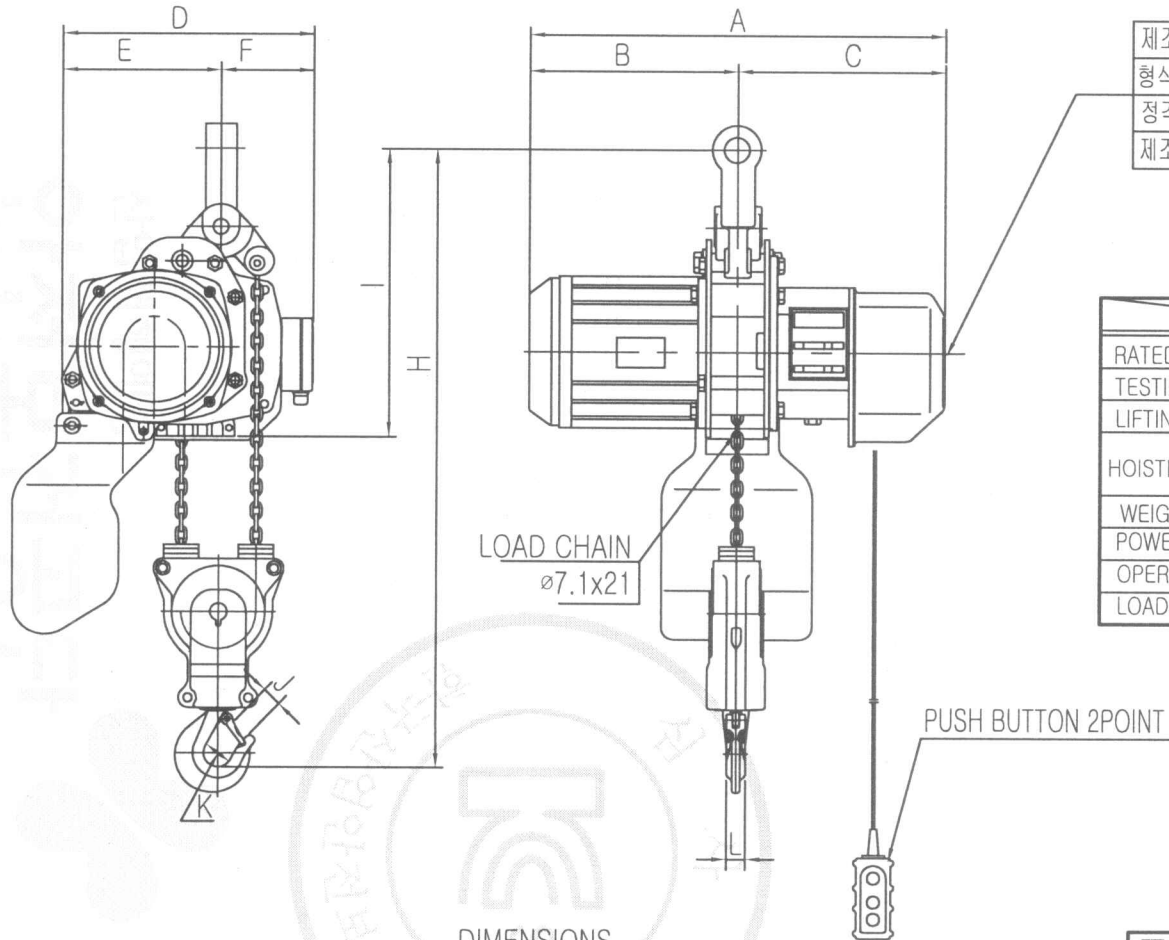
L K HOIST

NO	DESCRIPTION	SIZE	MAT' L	Q' TY	WT (kg)	REMARKS

제조일 : 0000-00-00
 형식번호 : 00-000-00
 정격하중 : 00-000-00
 제조자 : (주)LK

SPECIFICATION

		LTD-2W
RATED LOAD	(TON)	2
TESTING LOAD	(TON)	2.5
LIFTING HEIGHT	(M)	50
HOISTING	SPEED (M/MIN)	4.1/1
	MOTOR (KW)	2.0/0.5 x 2/8p
WEIGHT	(KG)	178
POWER SUPPLY		AC220.380.440.460.480V x3φ x 60 Hz
OPERATING METHOD		P.B type ON . FL
LOAD CHAIN		ø7.1 X 21 (2FALL)



DIMENSIONS

MODEL	CAPACITY (ton)	A	B	C	D	E	F	H	I	J	K	L
LTD-2W	2	567	294	273	336	181	155	670	438	40	53.5	30

NOTE)

- 1)점검 설비를 갖출 것
- 2)안허가 서류를 완성검사시 제출 할 것

TITLE					PROJECTION	
CHAIN HOIST LTD-2W						
WORK NO	WORK NAME				SCALE	Q' TY
	CONNECTOR TYPE				N S	1
DRAWN	CHECKED	REVIEWED	APPROVED	DRAWING NO		
김 창 기						
2010.07.15						
L K HOIST CO., LTD.						

REV.NO	DATE	REVISION DESCRIPTION	DRAWN	CHECKED	APPROVED

별첨 목록제 및 배포금지