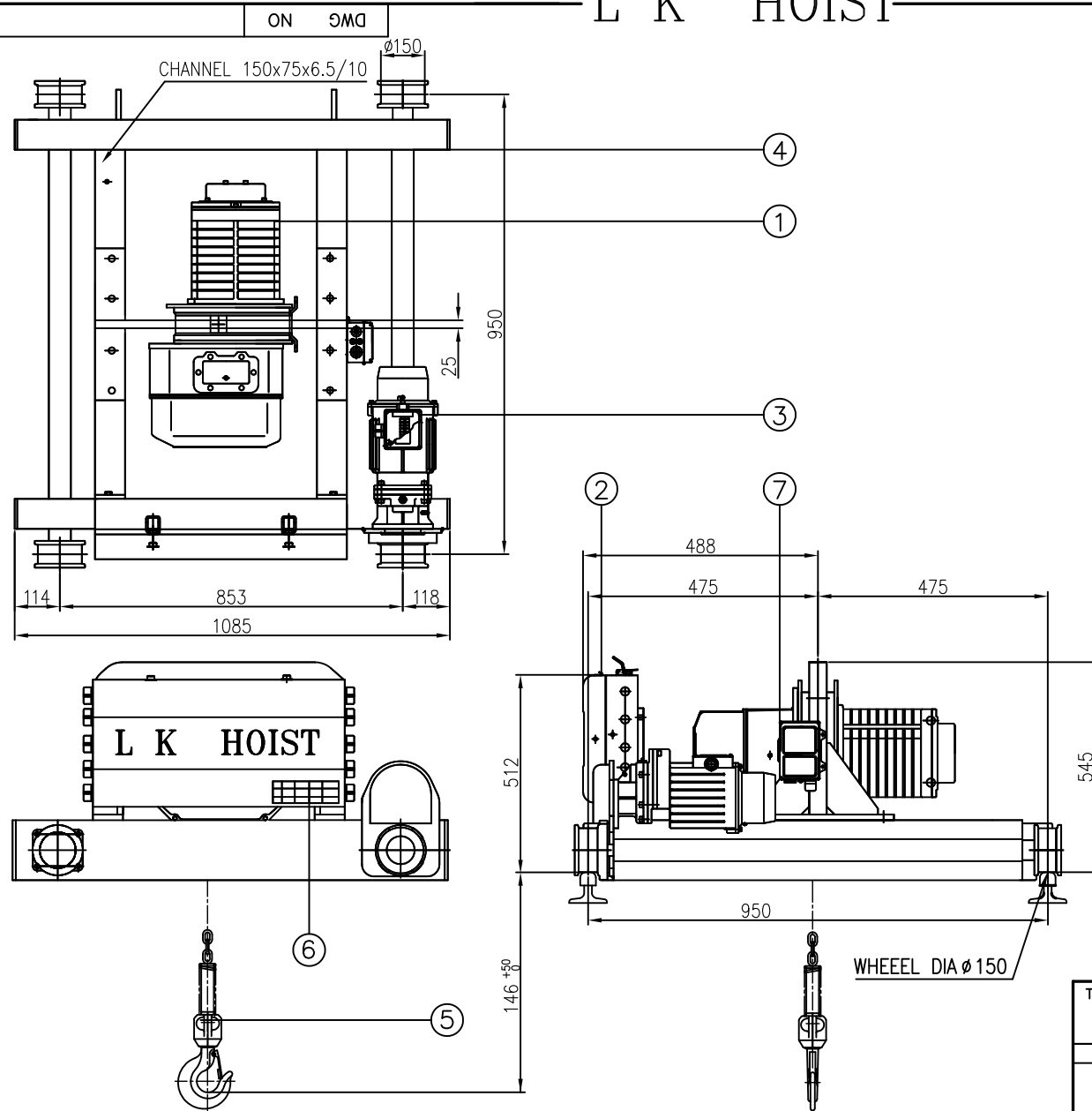


# L K HOIST



	DESCRIPTION	SIZE	MAT'	REMARKS
1	HOISTING MOTOR ASS'Y		1	
2	HOISTING CONTROL ASS'Y		1	
3	GEARD MOTOR ASS'Y		1	
4	GRAB PART ASS'Y		1	
5	BOTTOM HOOK ASS'Y		1	
6	NAME PLATE		1	
7	LOAD LIMITEER		1	

SPECIFICATION			
RATED LOAD	2.5 TON		
TESTING LOAD	3.125 TON		
LIFTING HEIGHT	30 M		
HOISTING SPEED/MOTOR	6.5/2.1 m/min	4.4/2.2KW(2/6P)	
TRAVERSING SPEED/MOTOR	24m/min	0.75KW(4P)	
	16m/min	0.5KW(6P)	
	17/5.4m/min * 0.75/0.25kw * 4/12p		
POWER SUPPLY	AC220,380,440,460V,480V x 3 $\phi$ x 60Hz		
OPERATING METHOD	P.B type ON . FL		
WIEGHT	379kg		
RAIL	15KG/M		
CHAIN 사양	$\phi 11.2$ X 34(1줄)		
RAIL GgeR	950		

NOTE)

1. 점검 설비를 갖출 것.
2. 인허가 서류를 완성 검사시 제출 할 것.

TITLE				PROJECTION	
DBD-2.5S CHAIN HOIST					
WORK NO	WORK NAME			SCALE	Q' TY
	LK-DBD-2.5S				
DRAWN	CHECKED	REVIEWED	APPROVED	DRAWING NO	
김 창 기				CODE NO	
2010.09.16					

가공별	치수	3-6	6-30	30-120	120-315	315-1000
선	삭	$\pm 0.1$	$\pm 0.2$	$\pm 0.3$	$\pm 0.5$	$\pm 0.8$
구멍간	거리	$\pm 0.1$	$\pm 0.2$	$\pm 0.3$	$\pm 0.5$	$\pm 0.8$

REV.NO	DATE	REVISION	DESCRIPTION	DRAWN	CHECKED	APPROVED



L K HOIST CO., LTD.