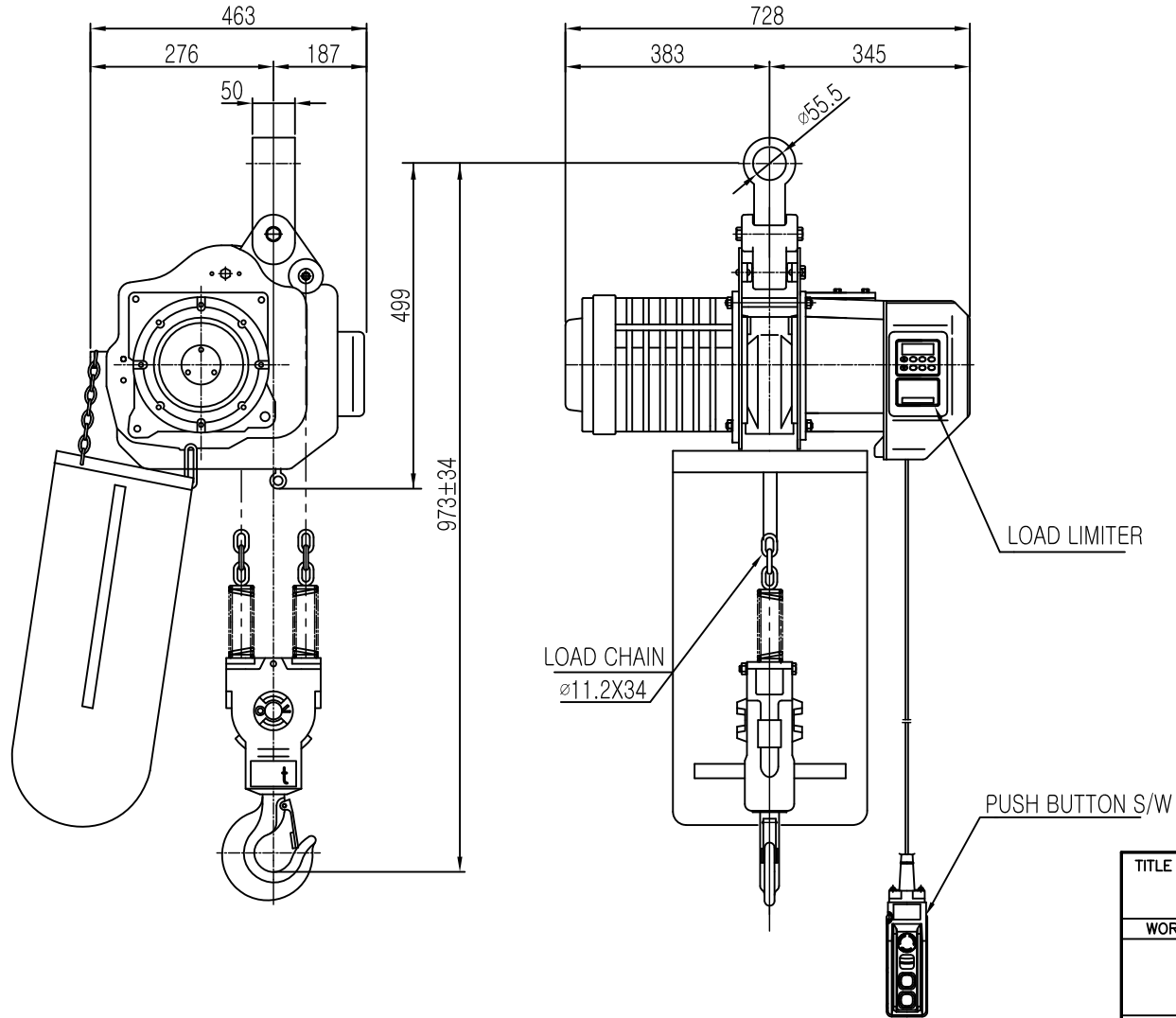


ON GMD

L K HOIST

NO	DESCRIPTION	SIZE	MAT' L	Q' TY	WT (kg)	REMARKS



SPECIFICATION		
HOISTING LOAD	5	TON
TESTING LOAD	6.25	TON
LIFTING HEIGHT	50	M
HOISTING	SPEED	3.25/1.0 M/MIN
	MOTOR	4.4/2.2 KW x 2/6P
TRAVERSING	SPEED	- M/MIN
	MOTOR	- KW x - SET
POWER SUPPLY	AC220,380,440,460,480 V x 3 ϕ x 60 Hz	
OPERATING METHOD	P.B type ON . FL	
LOAD CHAIN	$\phi 11.2 \times 34$ (2 FALL)	
WIEGHT	410 KG	

NOTE)

- 1) 점검 설비를 갖출것.
- 2) 인허가 서류를 완성검사시 제출할것.

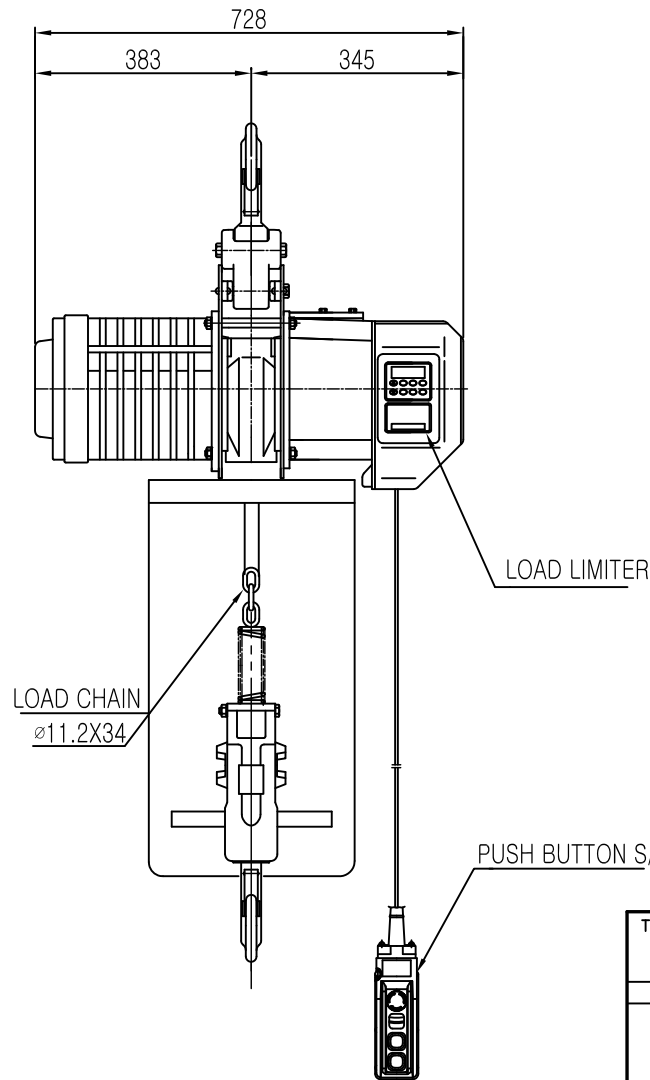
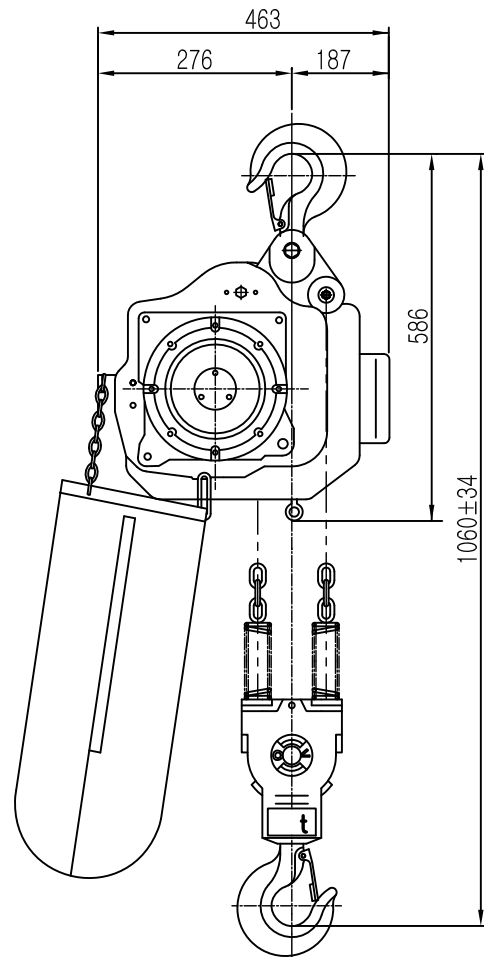
REV.NO	DATE	REVISION	DESCRIPTION	DRAWN	CHECKED	APPROVED

TITLE				PROJECTION	
DB-5W ELECTRIC CHAIN HOIST					
WORK NO	WORK NAME			SCALE	Q' TY
	CONNECTOR TYPE			N S	1
DRAWN	CHECKED	REVIEWED	APPROVED	DRAWING NO	
김 창 기					
2010.07.27					
L K HOIST CO., LTD.					

ON 9MD

L K HOIST

NO	DESCRIPTION	SIZE	MAT' L	Q' TY	WT (kg)	REMARKS



SPECIFICATION		
HOISTING LOAD	5	TON
TESTING LOAD	6.25	TON
LIFTING HEIGHT	50	M
HOISTING	SPEED	3.25/1.0 M/MIN
	MOTOR	4.4/2.2 KW x 2/6P
TRAVERSING	SPEED	- M/MIN
	MOTOR	- KW x - SET
POWER SUPPLY	AC220,380,440,460,480 V x 3ø x 60 Hz	
OPERATING METHOD	P.B type ON . FL	
LOAD CHAIN	ø11.2 x 34 (2 FALL)	
WIEGHT	410 KG	

NOTE)

- 1) 점검 설비를 갖출것.
- 2) 인허가 서류를 완성검사시 제출할것.

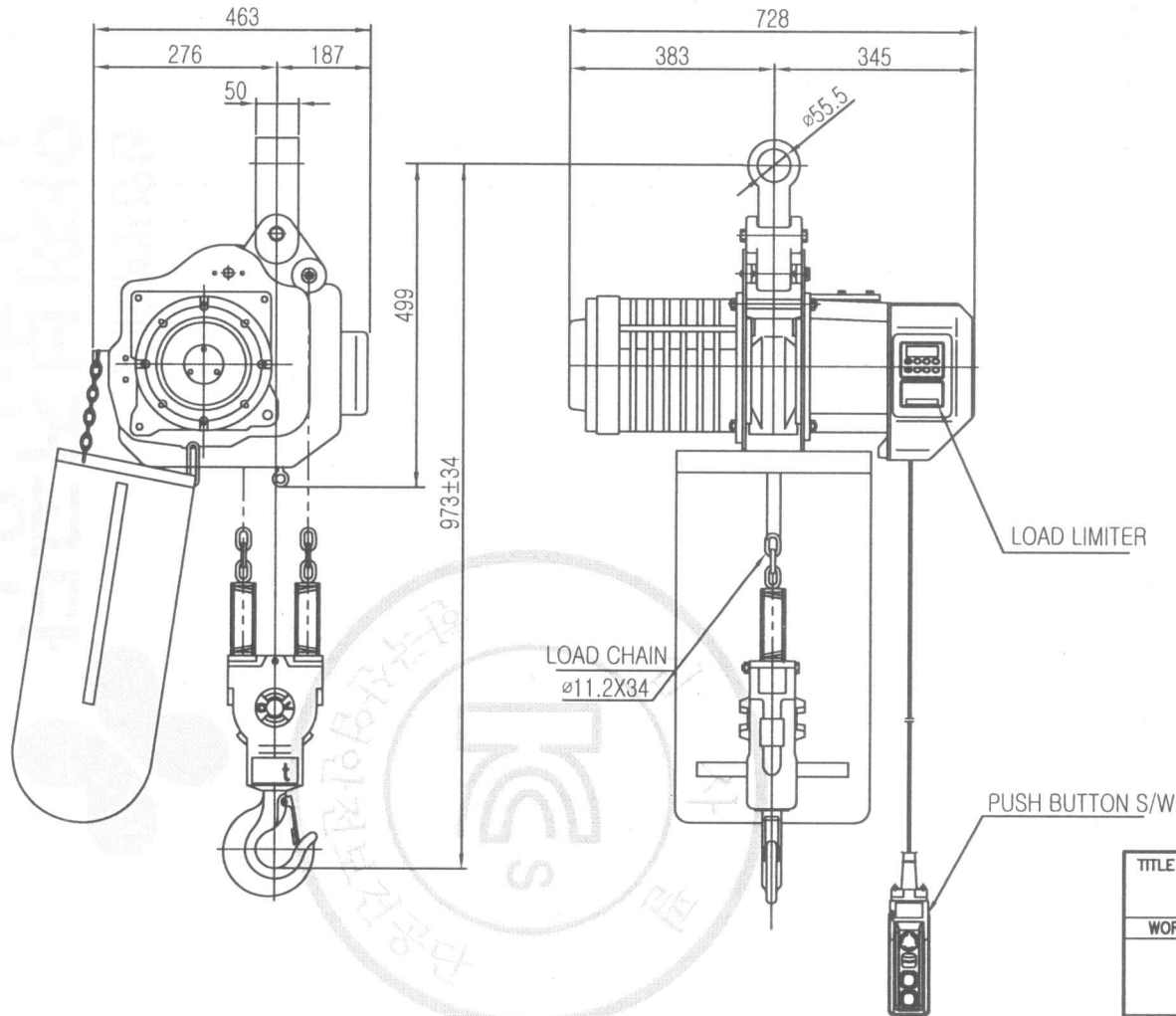
REV.NO	DATE	REVISION	DESCRIPTION	DRAWN	CHECKED	APPROVED

TITLE				PROJECTION	
DB-5W ELECTRIC CHAIN HOIST					
WORK NO	WORK NAME			SCALE	Q' TY
	HOOK TYPE			N S	1
DRAWN	CHECKED	REVIEWED	APPROVED	DRAWING NO	
김창기					
2010.07.27					
L K HOIST CO., LTD.					

L K HOIST

ON 9MD

NO	DESCRIPTION	SIZE	MAT' L	Q' TY	WT (kg)	REMARKS



SPECIFICATION		
HOISTING LOAD	5 TON	
TESTING LOAD	6.25 TON	
LIFTING HEIGHT	50 M	
HOISTING	SPEED	3.25/1.0 M/MIN
	MOTOR	4.4/2.2 KW x 2/6P
TRAVERSING	SPEED	- M/MIN
	MOTOR	- KW x - SET
POWER SUPPLY	AC220,380,440,460,480 V x 3 ϕ x 60 Hz	
OPERATING METHOD	P.B type ON . FL	
LOAD CHAIN	$\phi 11.2 \times 34$ (2 FALL)	
WIEGHT	410 KG	

NOTE)

- 1) 점검 설비를 갖출것.
- 2) 인허가 서류를 완성검사시 제출할것.

결번복제 및 배포금지

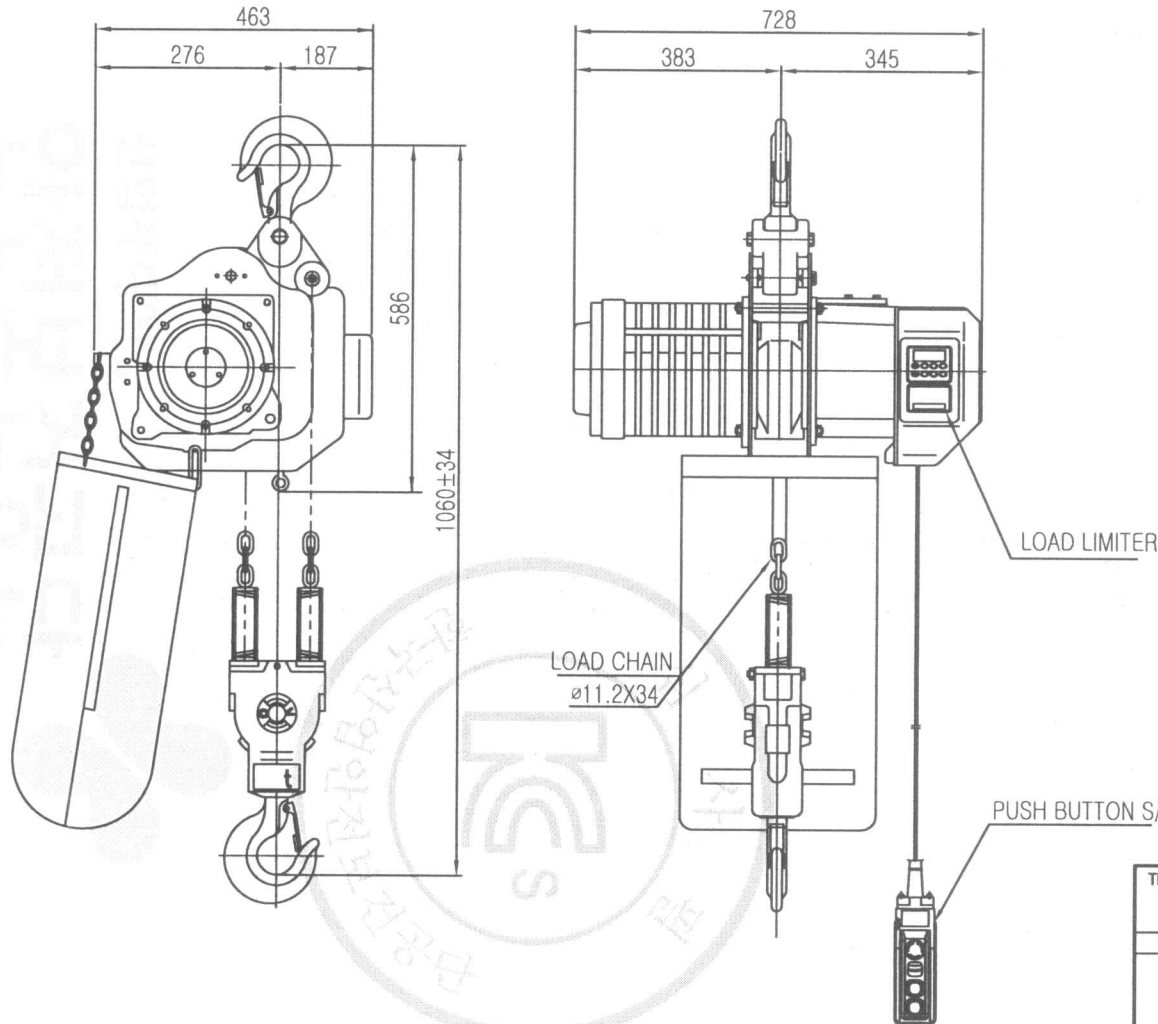
TITLE					PROJECTION	
DB-5W ELECTRIC CHAIN HOIST						
WORK NO	WORK NAME				SCALE	Q' TY
	CONNECTOR TYPE				N S	1
DRAWN	CHECKED	REVIEWED	APPROVED	DRAWING NO		
김창기						
2010.07.27						
LK L K HOIST CO., LTD.						

REV.NO	DATE	REVISION	DESCRIPTION	DRAWN	CHECKED	APPROVED

ON GMD

L K HOIST

NO	DESCRIPTION	SIZE	MAT L	Q' TY	WT (kg)	REMARKS



SPECIFICATION		
HOISTING LOAD	5	TON
TESTING LOAD	6.25	TON
LIFTING HEIGHT	50	M
HOISTING	SPEED	3.25/1.0 M/MIN
	MOTOR	4.4/2.2 KW x 2/6P
TRAVERSING	SPEED	- M/MIN
	MOTOR	- KW x - SET
POWER SUPPLY	AC220,380,440,460,480 V x 3ø x 60 Hz	
OPERATING METHOD	P.B type ON . FL	
LOAD CHAIN	ø11.2 x 34 (2 FALL)	
WIEGHT	410 KG	

NOTE)

- 1) 점검 설비를 갖출것.
- 2) 인허가 서류를 완성검사시 제출할것.

물범복제 및 배포금지

TITLE				PROJECTION		
DB-5W ELECTRIC CHAIN HOIST						
WORK NO	WORK NAME			SCALE	Q' TY	
	HOOK TYPE			N S	1	
DRAWN	CHECKED	REVIEWED	APPROVED	DRAWING NO		
김창기						
2010.07.27						
L K HOIST CO., LTD.						

REV.NO	DATE	REVISION	DESCRIPTION	DRAWN	CHECKED	APPROVED