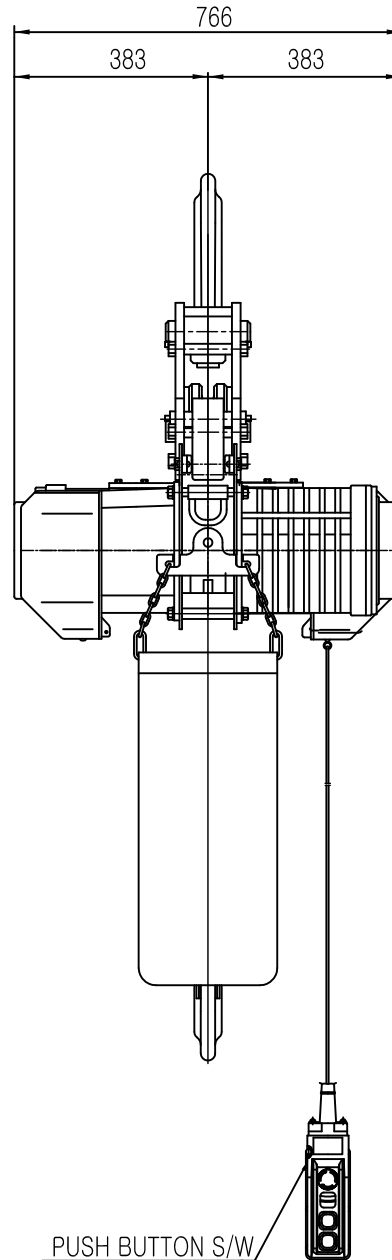
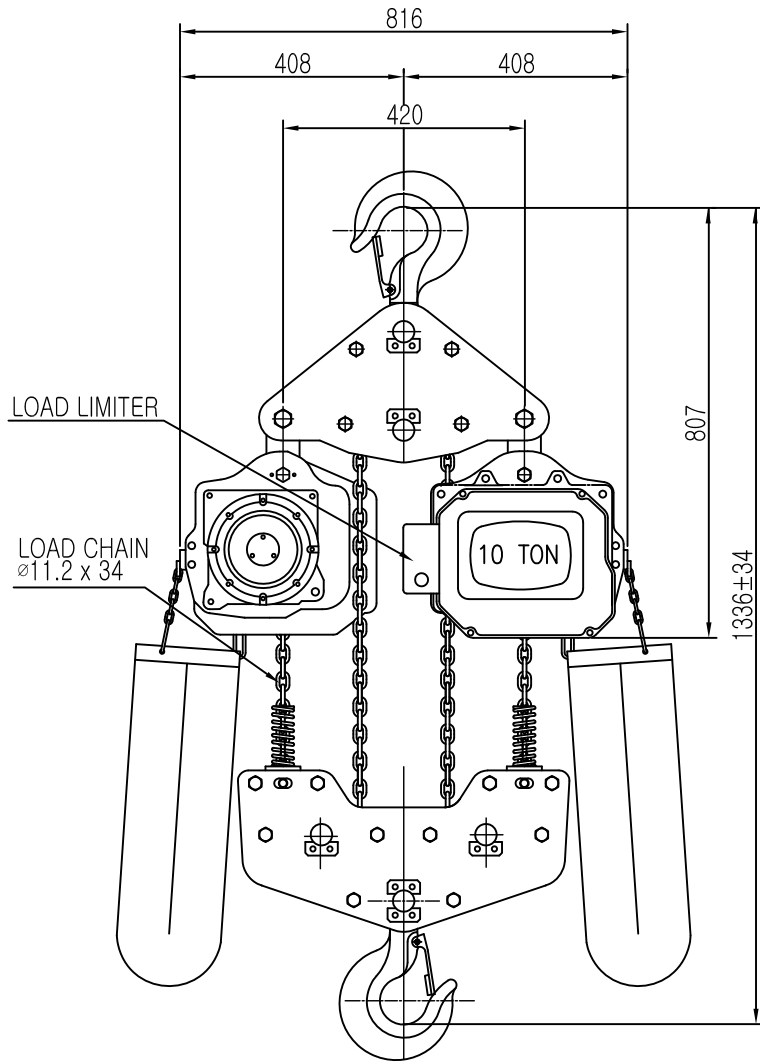


# L K HOIST

NO	DESCRIPTION	SIZE	MAT'L	Q'TY	REMARKS



SPECIFICATION		
HOISTING LOAD	10	TON
TESTING LOAD	12.5	TON
LIFTING HEIGHT	50	M
HOISTING	SPEED	3.25/1.0M/MIN
	MOTOR	4.4/2.2KW x 2/6P x 2 SET
TRAVERSING	SPEED	- M/MIN
	MOTOR	- KW x - SET
POWER SUPPLY	AC 220,380,440,460,480V x 3 $\phi$ x 60Hz	
OPERATING METHOD	P.B type ON . FL	
LOAD CHAIN	$\phi 11.2 \times 34$ (4 FALL)	
WEIGHT	893 Kg	

NOTE)

- 1) 점검 설비를 갖출것.
- 2) 인허가 서류를 완성검사시 제출할것.

REV.NO	DATE	REVISION DESCRIPTION	DRAWN	CHECKED	APPROVED

TITLE				PROJECTION	
DB-10W ELECTRIC CHAIN HOIST					
WORK NO	WORK NAME			SCALE	Q'TY
	HOOK TYPE			N.S	1
DRAWN	CHECKED	REVIEWED	APPROVED	DRAWING NO	
김창기					
2010.07.27					

**LK** L K HOIST CO., LTD.

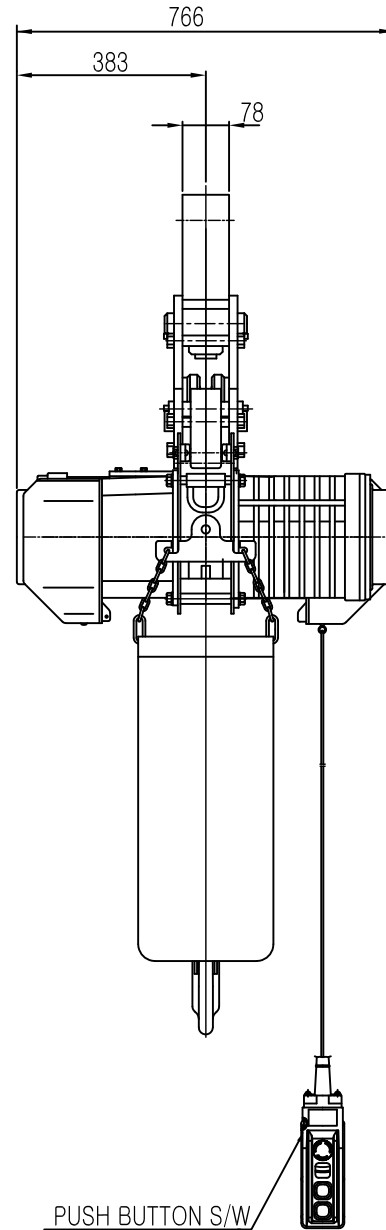
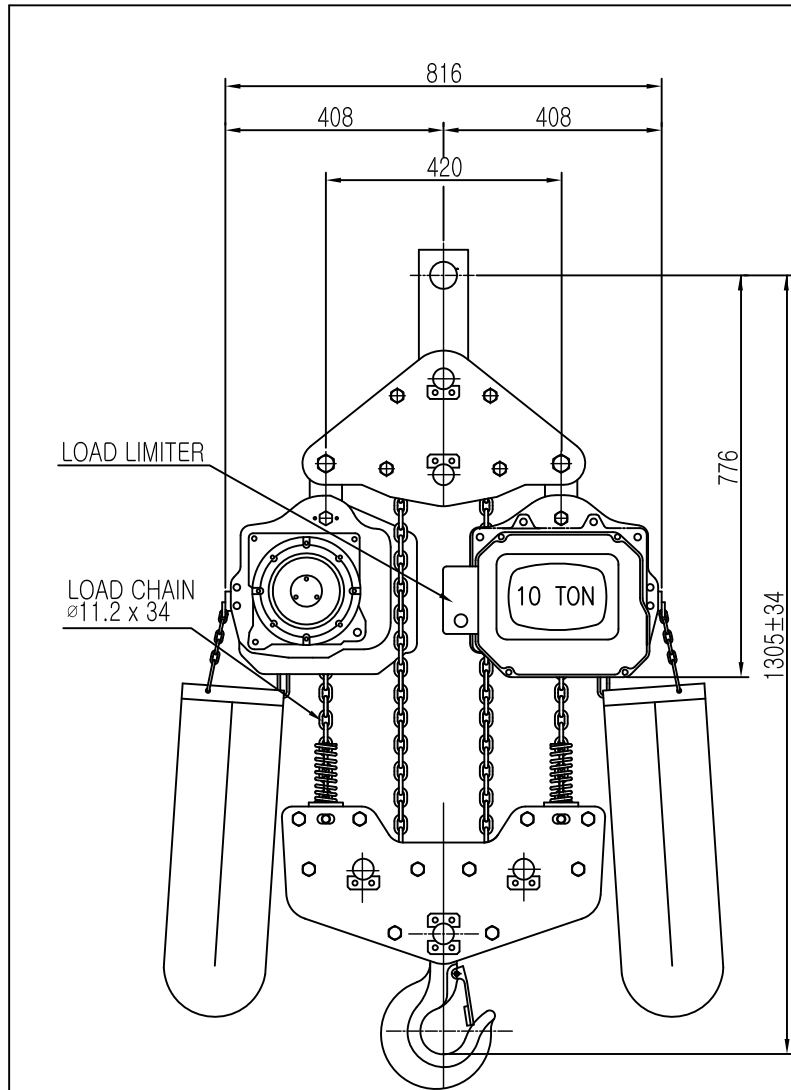
# L K HOIST

NO	DESCRIPTION	SIZE	MAT'L	Q'TY	REMARKS

SPECIFICATION		
HOISTING LOAD	10	TON
TESTING LOAD	12.5	TON
LIFTING HEIGHT	50	M
HOISTING	SPEED	3.25/1.0M/MIN
	MOTOR	4.4/2.2KW x 2/6P x 2 SET
TRAVERSING	SPEED	- M/MIN
	MOTOR	- KW x - SET
POWER SUPPLY	AC 220,380,440,460,480V x 3φ x 60Hz	
OPERATING METHOD	P.B type ON . FL	
LOAD CHAIN	φ11.2 x 34 (4 FALL)	
WEIGHT	893 Kg	

NOTE)

- 1) 점검 설비를 갖출것.
- 2) 인허가 서류를 완성검사시 제출할것.



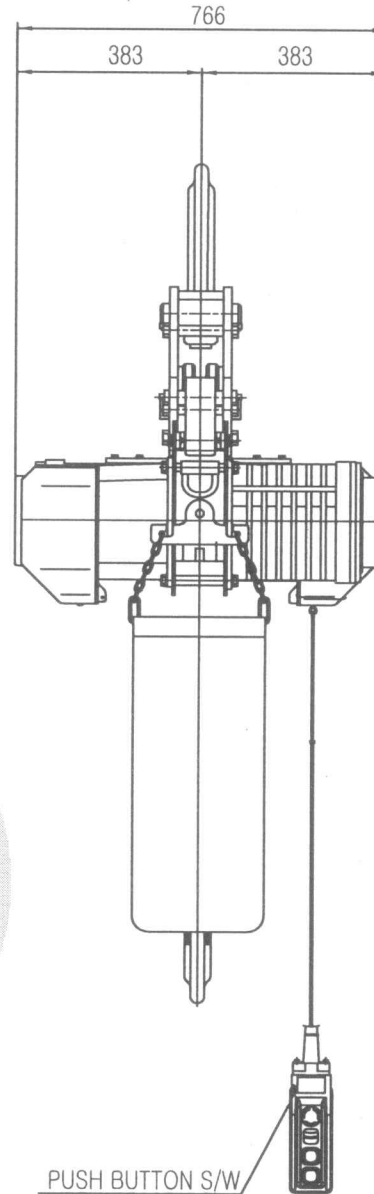
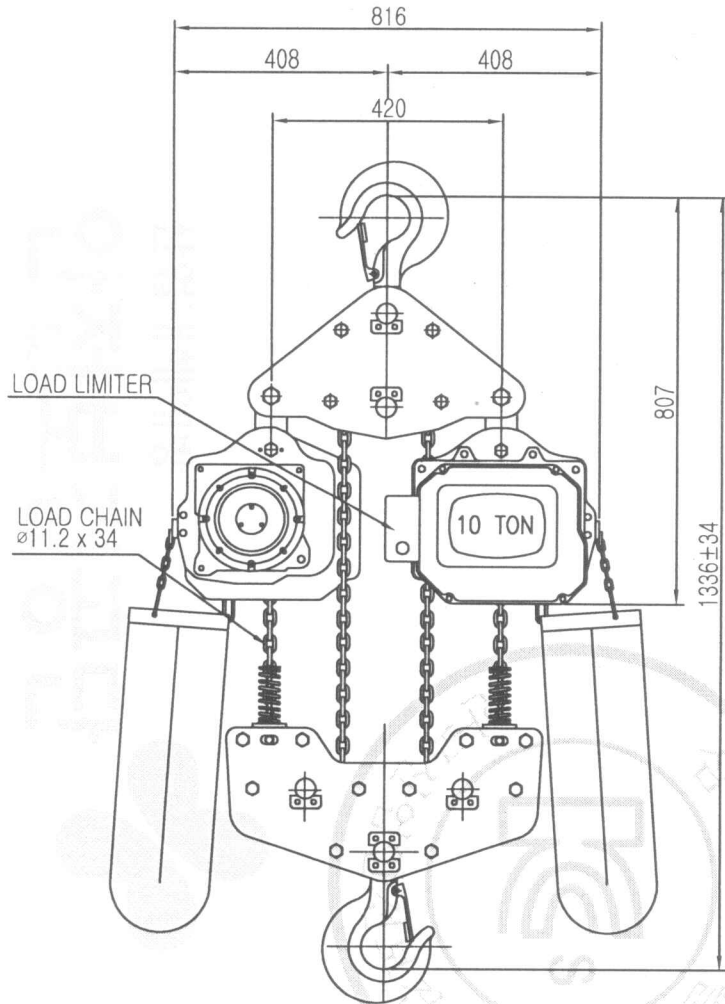
REV.NO	DATE	REVISION DESCRIPTION	DRAWN	CHECKED	APPROVED

TITLE DB-10W ELECTRIC CHAIN HOIST				PROJECTION	
WORK NO	WORK NAME			SCALE	Q'TY
	CONNECTOR TYPE				
				N.S	1
DRAWN	CHECKED	REVIEWED	APPROVED	DRAWING NO	
김 창 기					
2010.07.27					

**LK** L K HOIST CO., LTD.

# L K HOIST

NO	DESCRIPTION	SIZE	MAT'L	Q'TY	REMARKS



SPECIFICATION		
HOISTING LOAD	10	TON
TESTING LOAD	12.5	TON
LIFTING HEIGHT	50	M
HOISTING	SPEED	3.25/1.0M/MIN
	MOTOR	4.4/2.2KW x 2/6P x 2 SET
TRAVERSING	SPEED	- M/MIN
	MOTOR	- KW x - SET
POWER SUPPLY	AC 220,380,440,460,480V x 3 $\phi$ x 60Hz	
OPERATING METHOD	P.B type ON . FL	
LOAD CHAIN	$\phi 11.2 \times 34$ (4 FALL)	
WEIGHT	893 Kg	

NOTE)

- 1) 점검 설비를 갖추것.
- 2) 인허가 서류를 완성검사시 제출할것.

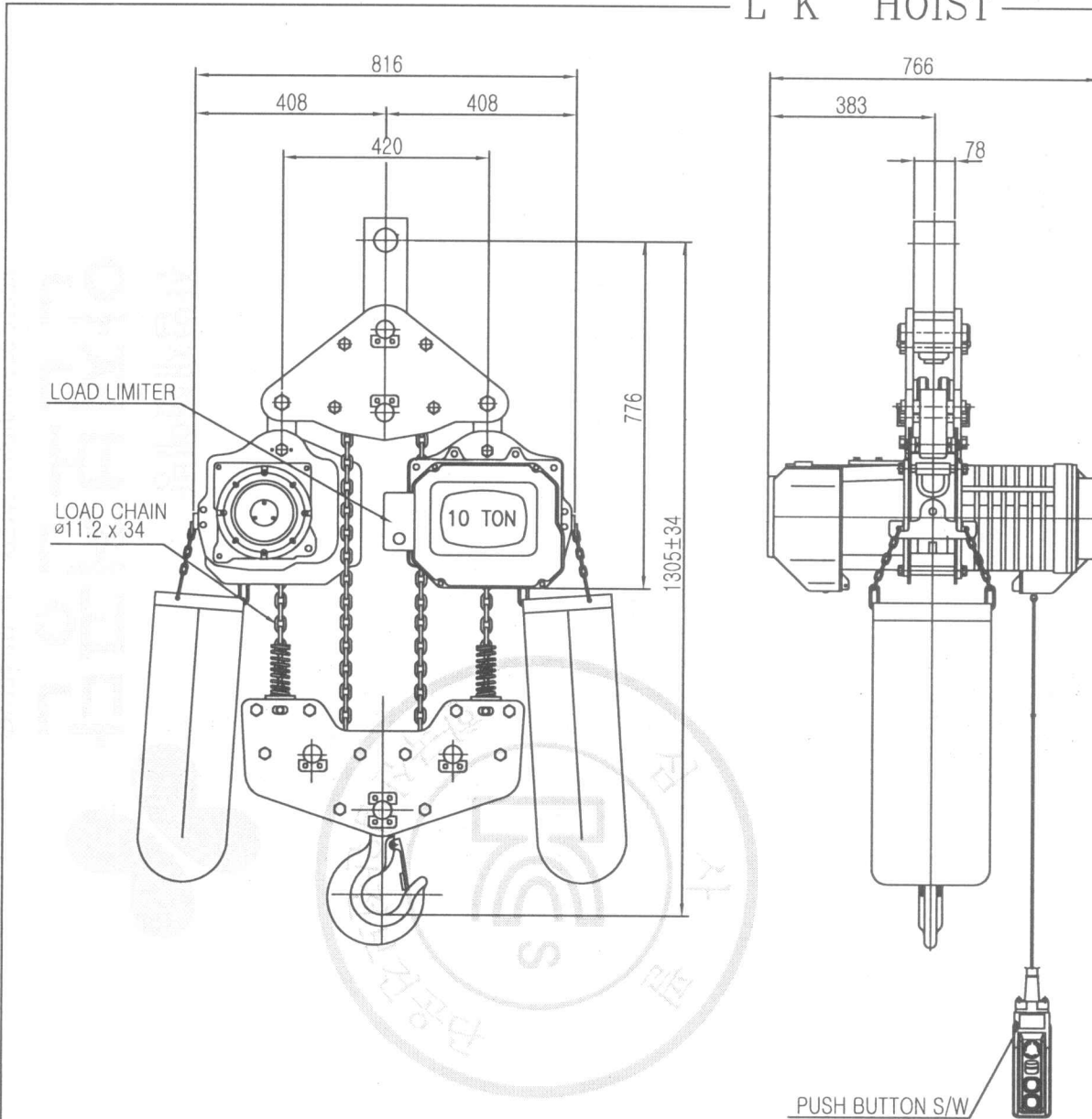
REV.NO	DATE	REVISION DESCRIPTION	DRAWN	CHECKED	APPROVED

TITLE				PROJECTION	
DB-10W ELECTRIC CHAIN HOIST					
WORK NO	WORK NAME			SCALE	Q'TY
	HOOK TYPE			N.S	1
DRAWN	CHECKED	REVIEWED	APPROVED	DRAWING NO	
김창기					
2010.07.27					

**LK** L K HOIST CO., LTD.

물범북제 및 배포금지

# L K HOIST



NO	DESCRIPTION	SIZE	MAT'L	Q'TY	REMARKS

SPECIFICATION		
HOISTING LOAD	10	TON
TESTING LOAD	12.5	TON
LIFTING HEIGHT	50	M
HOISTING	SPEED	3.25/1.0M/MIN
	MOTOR	4.4/2.2KW x 2/6P x 2 SET
TRAVERSING	SPEED	- M/MIN
	MOTOR	- KW x - SET
POWER SUPPLY	AC 220,380,440,460,480V x 3ø x 60Hz	
OPERATING METHOD	P.B type ON . FL	
LOAD CHAIN	ø11.2 x 34 (4 FALL)	
WEIGHT	893 Kg	

NOTE)

- 1) 점검 설비를 갖출것.
- 2) 인허가 서류를 완성검사시 제출할것.

REV.NO	DATE	REVISION DESCRIPTION	DRAWN	CHECKED	APPROVED

TITLE DB-10W ELECTRIC CHAIN HOIST				PROJECTION	
WORK NO	WORK NAME			SCALE	QTY
	CONNECTOR TYPE				
DRAWN	CHECKED	REVIEWED	APPROVED	DRAWING NO	
김창기					
2010.07.27					
<b>L K HOIST CO., LTD.</b>					

물범북제 및 배포금지