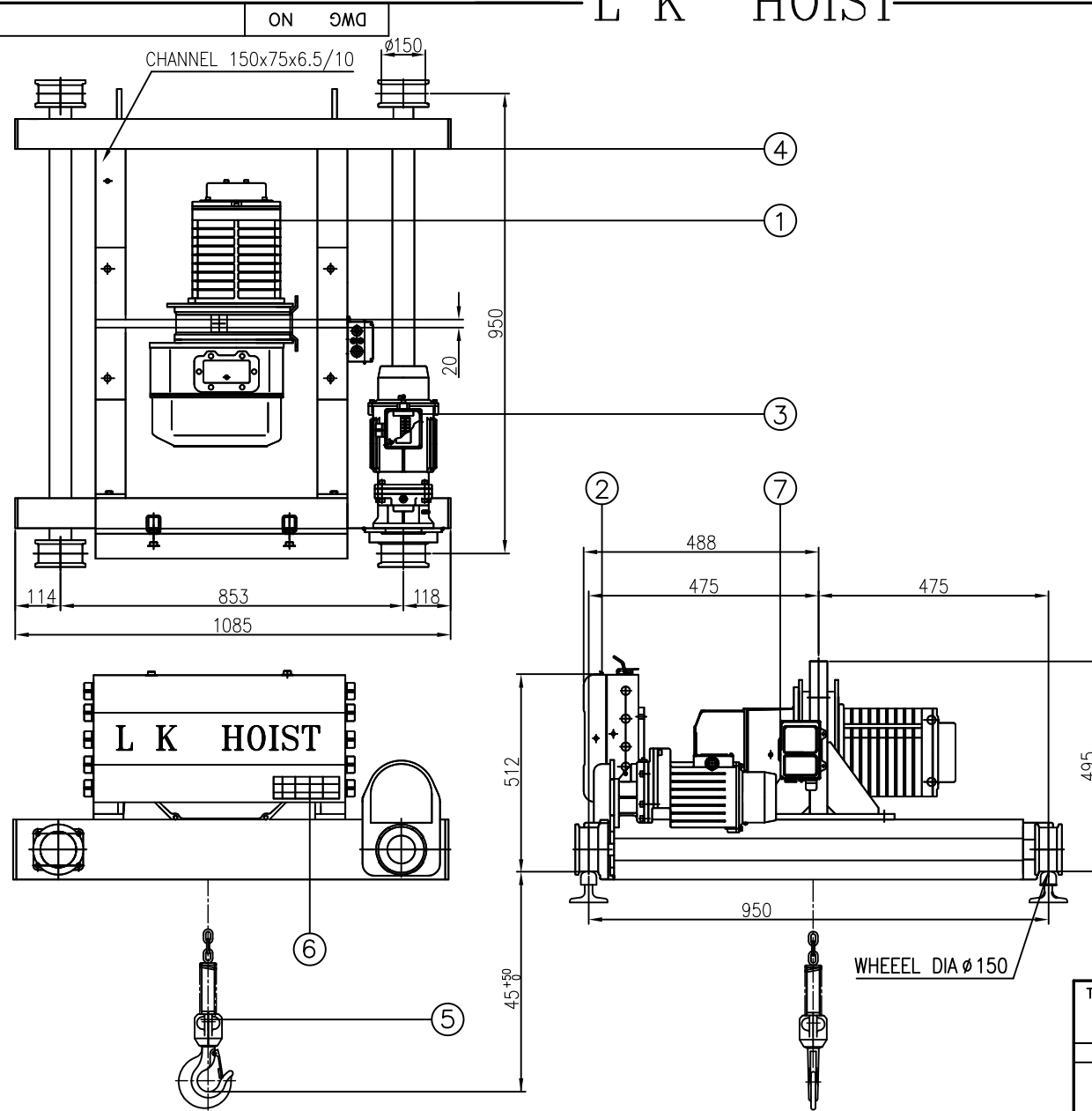


# L K HOIST



NO	DESCRIPTION	SIZE	MAT'	REMARKS
1	HOISTING MOTOR ASS'Y		1	
2	HOISTING CONTROL ASS'Y		1	
3	GEARD MOTOR ASS'Y		1	
4	GRAB PART ASS'Y		1	
5	BOTTOM HOOK ASS'Y		1	
6	NAME PLATE		1	
7	LOAD LIMITEER		1	

## SPECIFICATION

RATED LOAD	1 TON	
TESTING LOAD	1.25 TON	
LIFTING HEIGHT	30 M	
HOISTING SPEED/MOTOR	8.2m/min	1.8KW(4P)
	24m/min	0.75KW(4P)
TRAVERSING SPEED/MOTOR	16m/min	0.5KW(6P)
	17/5.4m/min * 0.75/0.25kw * 4/12p	
POWER SUPPLY	AC220,380,440,460V x 3φ x 60Hz	
OPERATING METHOD	P.B type ON . FL	
WIEGHT	213kg	
RAIL	15KG/M	
CHAIN 사양	φ7.1 X 21	
RAIL GgeR	950	

NOTE)

1. 점검 설비를 갖출 것.
2. 인허가 서류를 완성 검사시 제출 할 것.

TITLE				PROJECTION	
DAD-1S CHAIN HOIST					
WORK NO	WORK NAME			SCALE	Q' TY
	LK-DAD-1S				
DRAWN	CHECKED	REVIEWED	APPROVED	DRAWING NO	
김 창 기					
2010.09.16				CODE	NO

REV.NO	DATE	REVISION	DESCRIPTION	DRAWN	CHECKED	APPROVED

가공별	치수	3-6	6-30	30-120	120-315	315-1000
선	삭	±0.1	±0.2	±0.3	±0.5	±0.8
구멍간	거리					

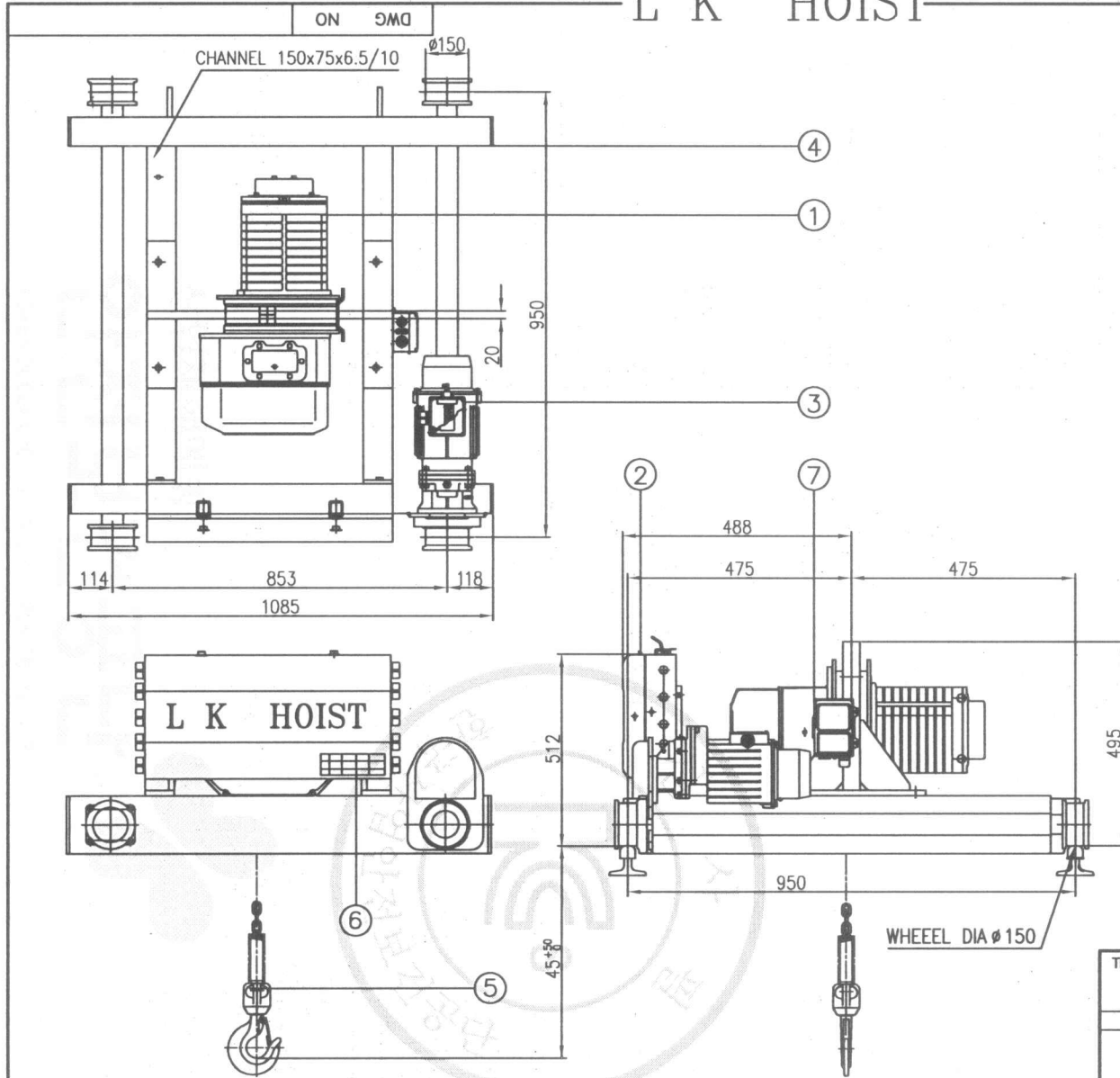
# L K HOIST

NO	DESCRIPTION	SIZE	MAT'	REMARKS
1	HOISTING MOTOR ASS'Y		1	
2	HOISTING CONTROL ASS'Y		1	
3	GEARD MOTOR ASS'Y		1	
4	GRAB PART ASS'Y		1	
5	BOTTOM HOOK ASS'Y		1	
6	NAME PLATE		1	
7	LOAD LIMITEER		1	

SPECIFICATION			
RATED LOAD	1		TON
TESTING LOAD	1.25		TON
LIFTING HEIGHT	30		M
HOISTING SPEED/MOTOR	8.2m/min	1.8KW(4P)	
	24m/min	0.75KW(4P)	
TRAVERSING SPEED/MOTOR	16m/min	0.5KW(6P)	
	17/5.4m/min * 0.75/0.25kw * 4/12p		
	POWER SUPPLY AC220,380,440,460V,480V x 3φ x 60Hz		
OPERATING METHOD	P.B type ON . FL		
WIEGHT	213kg		
RAIL	15KG/M		
CHAIN 사양	φ7.1 X 21		
RAIL GgeR	950		

NOTE)

1. 점검 설비를 갖출 것.
2. 인허가 서류를 완성 검사시 제출 할 것.



TITLE					PROJECTION	
DAD-1S CHAIN HOIST						
WORK NO	WORK NAME				SCALE	Q' TY
	LK-DAD-1S					

DRAWN	CHECKED	REVIEWED	APPROVED	DRAWING NO
김창기				
2010.09.16				CODE NO

REV.NO	DATE	REVISION DESCRIPTION	DRAWN	CHECKED	APPROVED	구멍간 거리	치수	3-6	6-30	30-120	120-315	315-1000
						±0.1	±0.2	±0.3	±0.5	±0.8		

**L K HOIST CO., LTD.**

2010년 9월 16일  
 김창기  
 설계