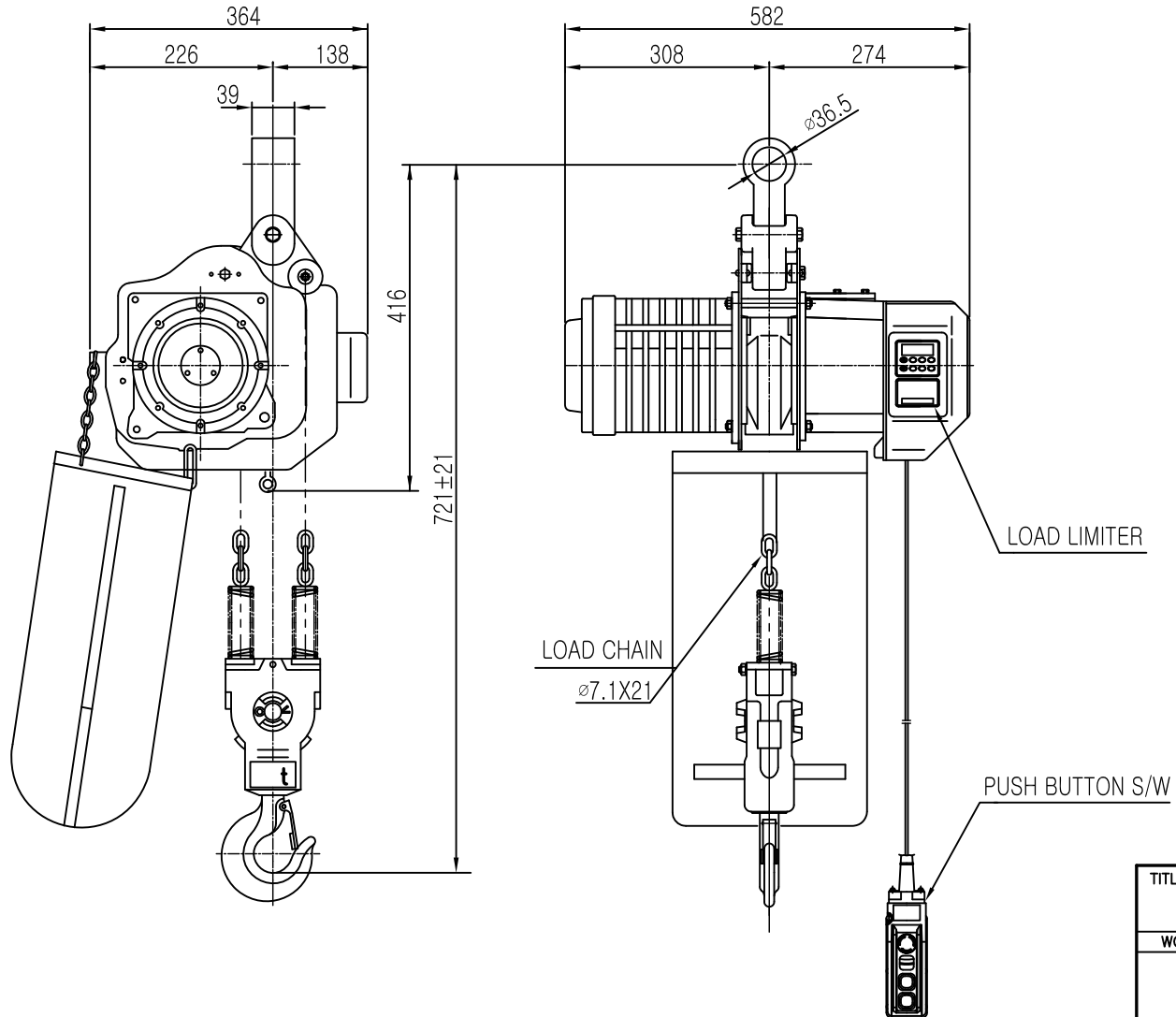


L K HOIST

ON ㉔MD

NO	DESCRIPTION	SIZE	MAT' L	Q' TY	WT (kg)	REMARKS



SPECIFICATION			
HOISTING LOAD	2.0		TON
TESTING LOAD	2.5		TON
LIFTING HEIGHT	50		M
HOISTING	SPEED	4.1	M/MIN
	MOTOR	1.8	KW x 1 SET
TRAVERSING	SPEED	-	M/MIN
	MOTOR	-	KW x - SET
POWER SUPPLY	AC220,380,440,460,480Vx 3 ϕ x 60 Hz		
OPERATING METHOD	P.B type ON . FL		
LOAD CHAIN	$\varnothing 7.1 \times 21$ (2FALL)		
WIEGHT	190 KG		

NOTE)

- 1) 점검 설비를 갖출것.
- 2) 인허가 서류를 완성검사시 제출할것.

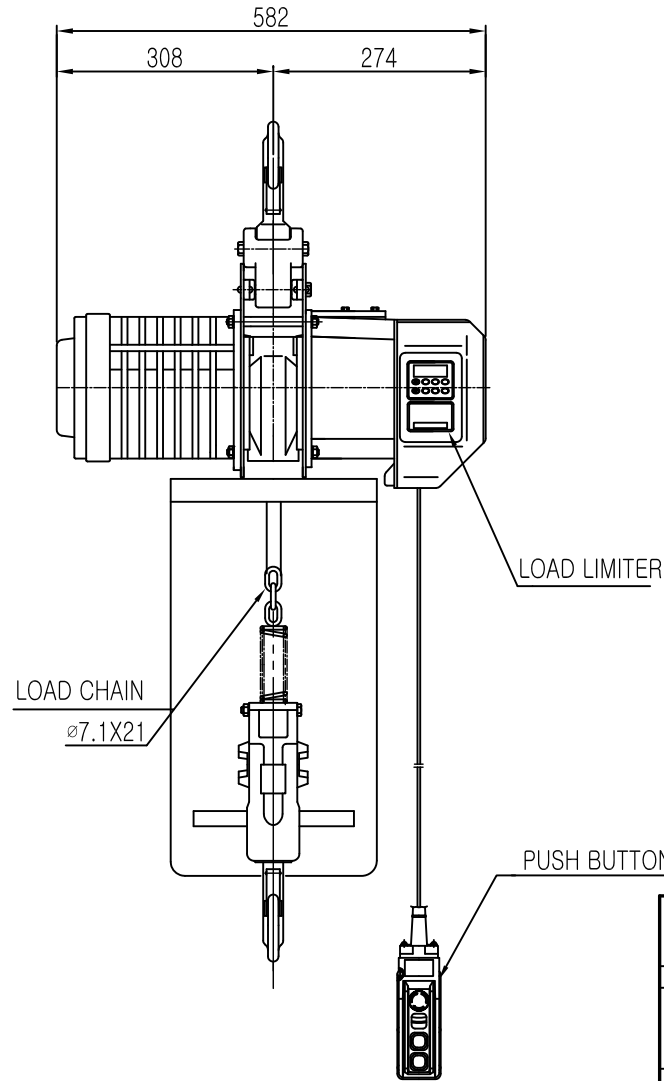
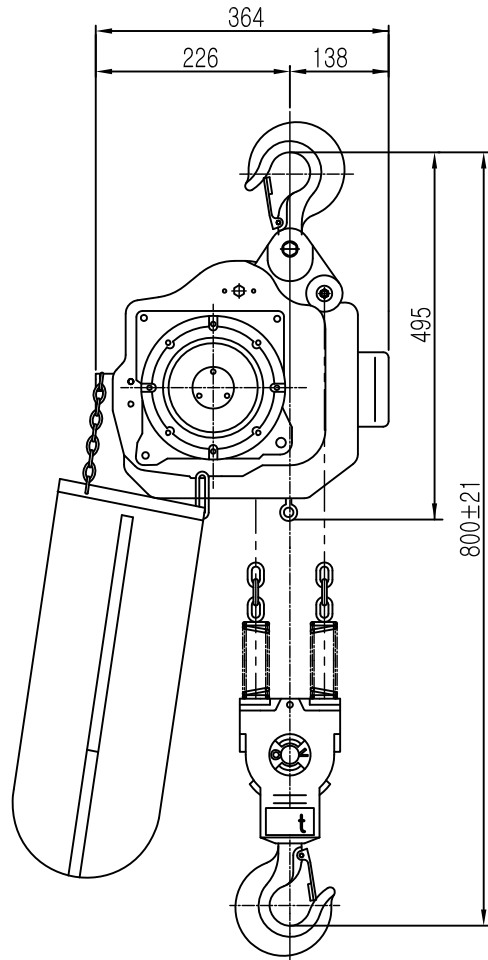
TITLE					PROJECTION	
DA-2W ELECTRIC CHAIN HOIST						
WORK NO	WORK NAME				SCALE	Q' TY
	CONNECTOR TYPE				N S	1
DRAWN	CHECKED	REVIEWED	APPROVED	DRAWING NO		
김창기						
2010.07.27						

REV.NO	DATE	REVISION	DESCRIPTION	DRAWN	CHECKED	APPROVED

L K HOIST

ON 3MD

NO	DESCRIPTION	SIZE	MAT' L	Q' TY	WT (kg)	REMARKS



SPECIFICATION		
HOISTING LOAD	2.0	TON
TESTING LOAD	2.5	TON
LIFTING HEIGHT	50	M
HOISTING	SPEED	4.1 M/MIN
	MOTOR	1.8 KW x 1 SET
TRAVERSING	SPEED	- M/MIN
	MOTOR	- KW x - SET
POWER SUPPLY	AC220,380,440,460,480Vx 3ø x 60 Hz	
OPERATING METHOD	P.B type ON . FL	
LOAD CHAIN	ø7.1 x 21 (2FALL)	
WIEGHT	190 KG	

NOTE)

- 1) 점검 설비를 갖출것.
- 2) 인허가 서류를 완성검사시 제출할것.

TITLE					PROJECTION	
DA-2W ELECTRIC CHAIN HOIST						
WORK NO	WORK NAME				SCALE	Q' TY
	HOOK TYPE				N S	1
DRAWN	CHECKED	REVIEWED	APPROVED	DRAWING NO		
김 창 기						
2010.07.27						

REV.NO	DATE	REVISION	DESCRIPTION	DRAWN	CHECKED	APPROVED

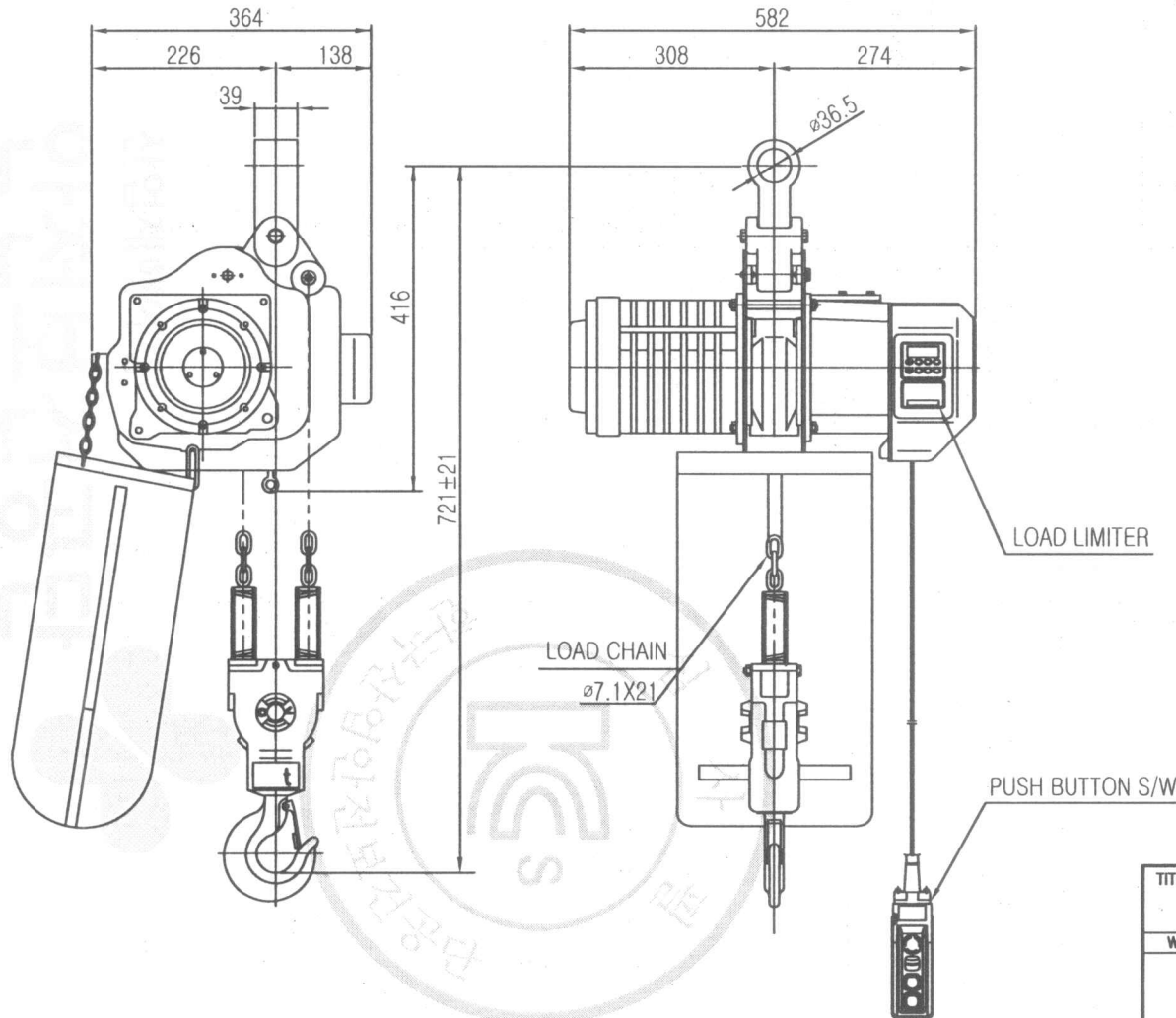


L K HOIST CO., LTD.

ON GMD

L K HOIST

NO	DESCRIPTION	SIZE	MAT'L	Q'TY	WT (kg)	REMARKS



SPECIFICATION			
HOISTING LOAD	2.0	TON	
TESTING LOAD	2.5	TON	
LIFTING HEIGHT	50	M	
HOISTING	SPEED	4.1	M/MIN
	MOTOR	1.8	KW x 1 SET
TRAVERSING	SPEED	-	M/MIN
	MOTOR	-	KW x - SET
POWER SUPPLY	AC220,380,440,460,480Vx 3 ϕ x 60 Hz		
OPERATING METHOD	P.B type ON . FL		
LOAD CHAIN	$\phi 7.1 \times 21$ (2FALL)		
WIEGHT	190 KG		

NOTE)

- 1) 점검 설비를 갖출것.
- 2) 인허가 서류를 완성검사시 제출할것.

TITLE					PROJECTION	
DA-2W ELECTRIC CHAIN HOIST						
WORK NO	WORK NAME				SCALE	Q' TY
	CONNECTOR TYPE				N S	1
DRAWN	CHECKED	REVIEWED	APPROVED	DRAWING NO		
김창기						
2010.07.27						
L K HOIST CO., LTD.						

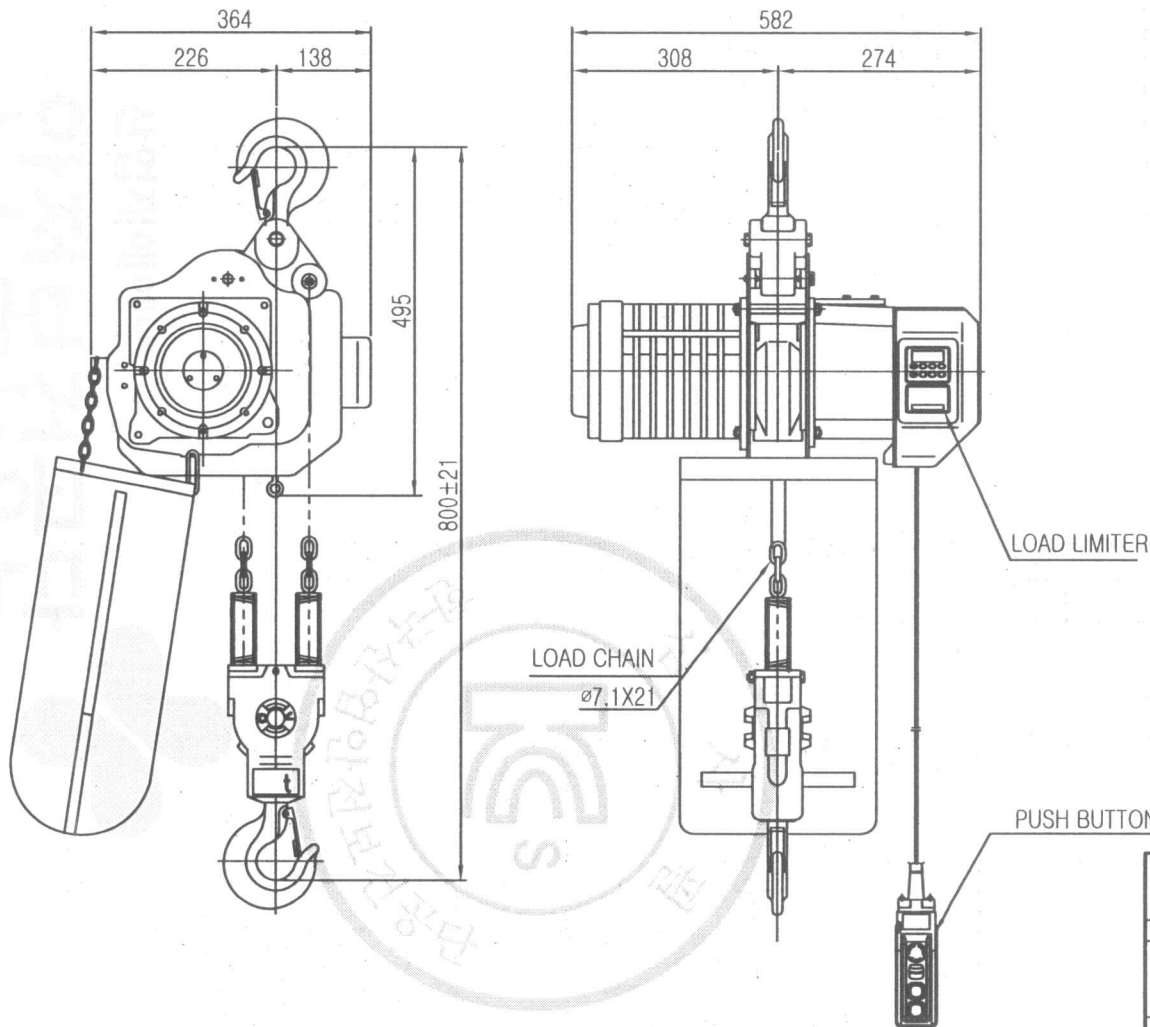
REV.NO	DATE	REVISION DESCRIPTION	DRAWN	CHECKED	APPROVED

물범복제 및 배포금지

ON GMD

L K HOIST

NO	DESCRIPTION	SIZE	MAT' L	Q' TY	WT (kg)	REMARKS



SPECIFICATION		
HOISTING LOAD	2.0	TON
TESTING LOAD	2.5	TON
LIFTING HEIGHT	50	M
HOISTING	SPEED	4.1 M/MIN
	MOTOR	1.8 KW x 1 SET
TRAVERSING	SPEED	- M/MIN
	MOTOR	- KW x - SET
POWER SUPPLY	AC220,380,440,460,480Vx 3φ x 60 Hz	
OPERATING METHOD	P.B type ON . FL	
LOAD CHAIN	φ7.1 x 21 (2FALL)	
WIEGHT	190 KG	

NOTE)

- 1) 점검 설비를 갖출것.
- 2) 인허가 서류를 완성검사시 제출할것.

물범복제 및 배포금지

TITLE					PROJECTION	
DA-2W ELECTRIC CHAIN HOIST						
WORK NO	WORK NAME				SCALE	Q' TY
	HOOK TYPE				N S	1
DRAWN	CHECKED	REVIEWED	APPROVED	DRAWING NO		
김창기						
2010.07.27						
L K HOIST CO., LTD.						

REV.NO	DATE	REVISION	DESCRIPTION	DRAWN	CHECKED	APPROVED