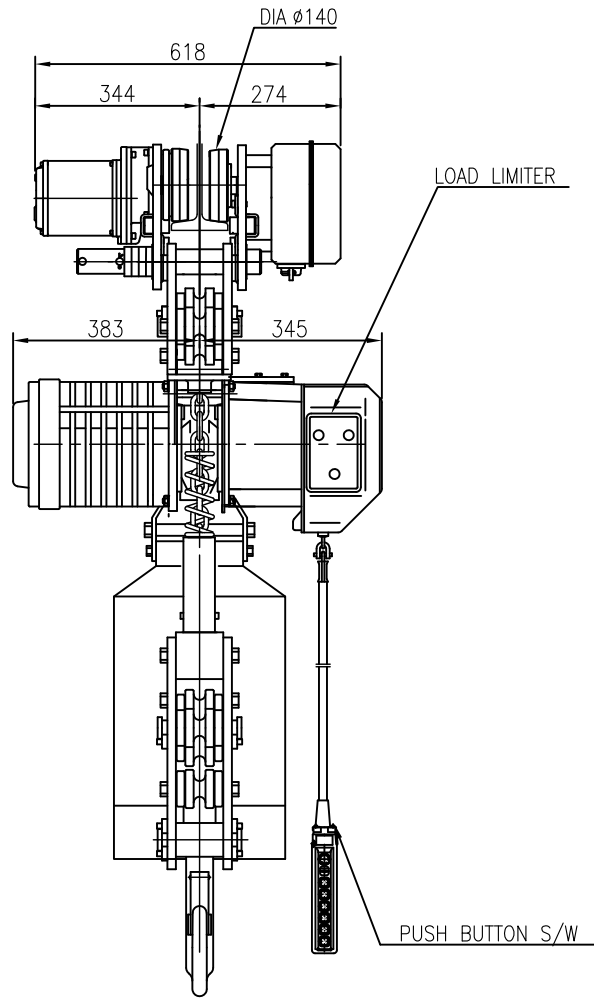
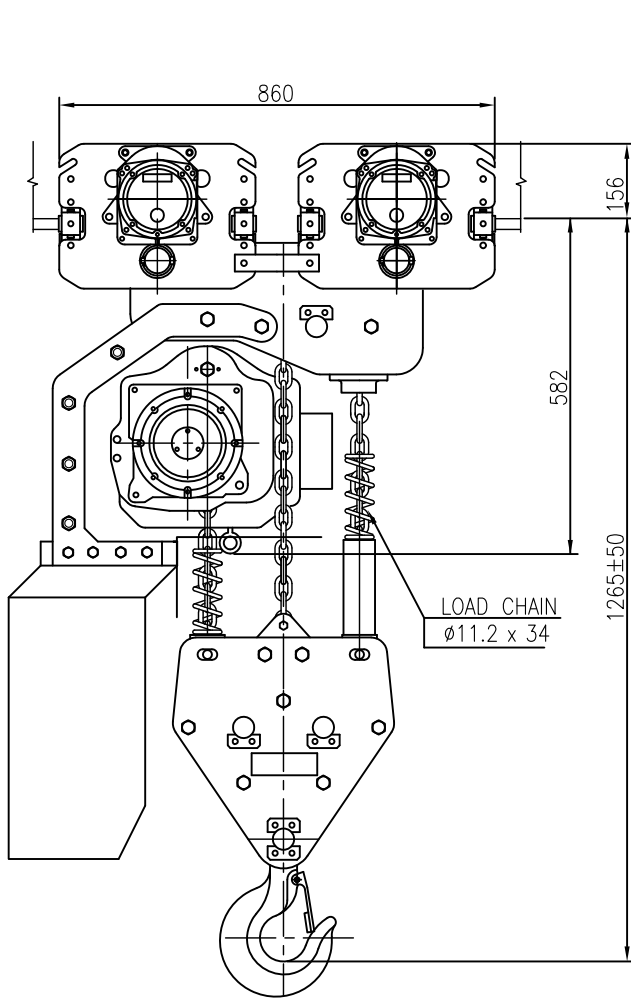


ON 3MD

L K HOIST

NO	DESCRIPTION	SIZE	MAT' L	Q' TY	WT (kg)	REMARKS



SPECIFICATION

		LK-DBM-7.5W		
RATED LOAD	(TON)	7.5		
TESTING LOAD	(TON)	9.375		
LIFTING HEIGHT	(M)	50		
HOISTING	SPEED (M/MIN)	2.1/0.7		
	MOTOR (KW)	4.4/2.2kw x 2/6p		
TRAVERSING	SPEED (M/MIN)	20	14	20/7
	MOTOR (KW)	0.75kw x 4p (2SET)	0.4kw x 6p (2SET)	0.75/0.25kw x 4/12p (2SET)
POWER SUPPLY	AC220.380.440.460.480Vx3ø x 60 Hz			
OPERATING METHOD	P.B type ON . FL			
LOAD CHAIN	ø11.2 X 34 (3FALL)			
WEIGHT	(KG)	900KG		
I-BEAM 적용폭	125 ~ 190MM			

NOTE)

- 1) 점검 설비를 갖출 것
- 2) 인허가 서류를 완성검사시 제출 할 것

적용 I-BEAM)

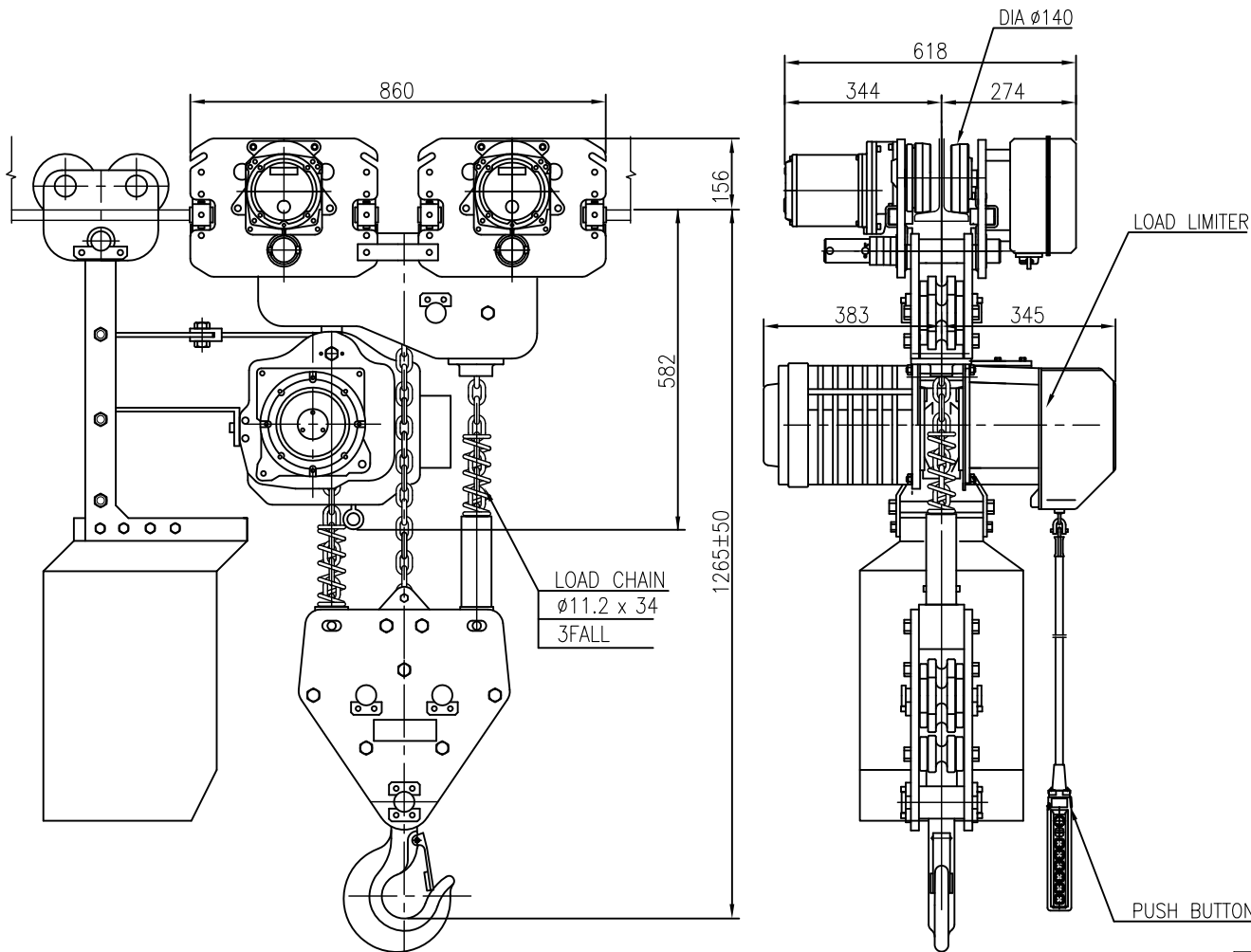
- 1) 지점간거리 : I-250X125X7.5/12.5-1.5M
- 2) 지점간거리 : I-300X150X10/18.5-3.2M
- 3) 지점간거리 : I-450X175X13/26-7.0M
- 4) 지점간거리 : I-600X190X13/25-10M

TITLE					PROJECTION	
ELECTRIC CHAIN HOIST DBM-7.5W						
WORK NO	WORK NAME				SCALE	Q' TY
	LK-DBM-7.5W					1
DRAWN	CHECKED	REVIEWED	APPROVED	DRAWING NO		
김 창 기						
2010.08.01				CODE NO		

ON 9MG

L K HOIST

NO	DESCRIPTION	SIZE	MAT' L	Q' TY	WT (kg)	REMARKS



SPECIFICATION

		LK-DBM-7.5W		
RATED LOAD	(TON)	7.5		
TESTING LOAD	(TON)	9.375		
LIFTING HEIGHT	(M)	50		
HOISTING	SPEED (M/MIN)	2.1/0.7		
	MOTOR (KW)	4.4/2.2kw x 2/6p		
TRAVERSING	SPEED (M/MIN)	20	14	20/7
	MOTOR (KW)	0.75kw x 4p (2SET)	0.4kw x 6p (2SET)	0.75/0.25kw x 4/12p (2SET)
POWER SUPPLY	AC220.380.440.460.480Vx3ø x 60 Hz			
OPERATING METHOD	P.B type ON . FL			
LOAD CHAIN	ø11.2 X 34 (3FALL)			
WEIGHT	(KG)	900KG		
I-BEAM 적용폭	125 ~ 190MM			

NOTE)

- 1)점검 설비를 갖출 것
- 2)인허가 서류를 완성검사시 제출 할 것

적용 I-BEAM)

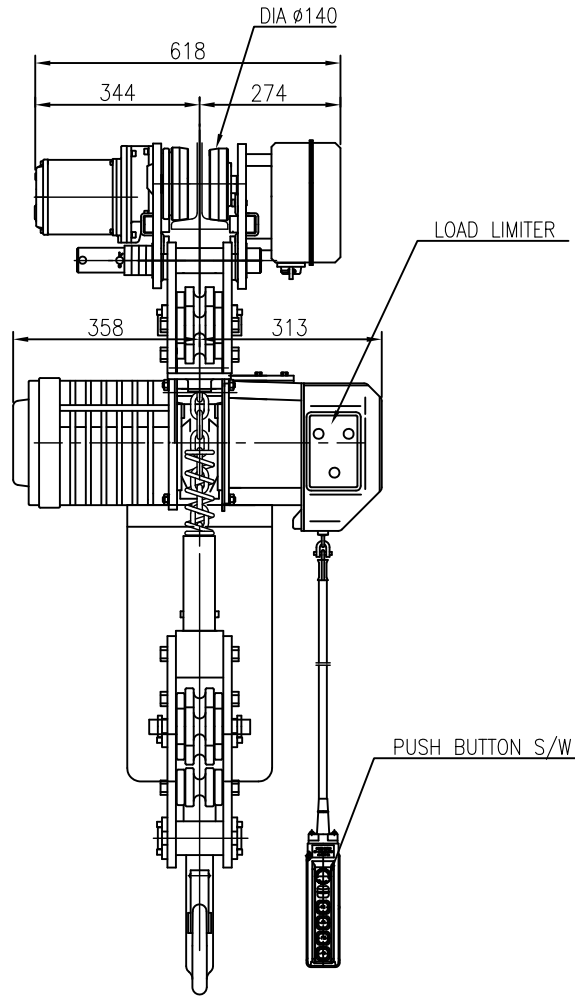
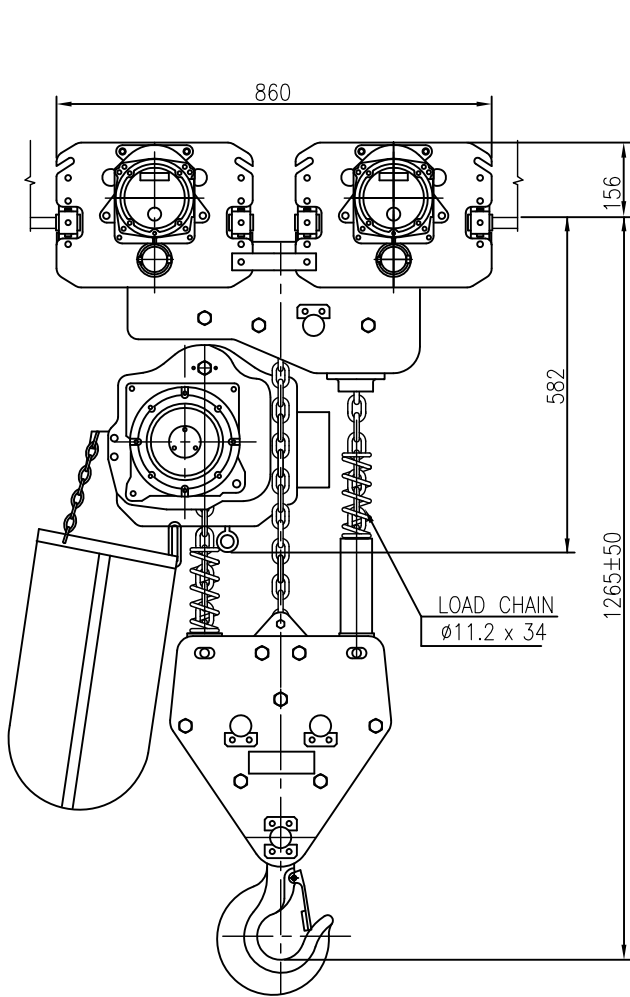
- 1) 지점간거리 : I-250X125X7.5/12.5-1.5M
- 2) 지점간거리 : I-300X150X10/18.5-3.2M
- 3) 지점간거리 : I-450X175X13/26-7.0M
- 4) 지점간거리 : I-600X190X13/25-10M

TITLE					PROJECTION	
ELECTRIC CHAIN HOIST DBM-7.5W						
WORK NO	WORK NAME				SCALE	Q' TY
	LK-DBM-7.5W					1
DRAWN	CHECKED	REVIEWED	APPROVED	DRAWING NO		
김창기						
2010.08.01				CODE NO		

ON 9MD

L K HOIST

NO	DESCRIPTION	SIZE	MAT' L	Q' TY	WT (kg)	REMARKS



SPECIFICATION

		LK-DAM-7.5W		
RATED LOAD	(TON)	7.5		
TESTING LOAD	(TON)	9.375		
LIFTING HEIGHT	(M)	50		
HOISTING	SPEED (M/MIN)	2.1		
	MOTOR (KW)	3.5kw x 4p		
TRAVERSING	SPEED (M/MIN)	20	14	20/7
	MOTOR (KW)	0.75kw x 4p (2SET)	0.4kw x 6p (2SET)	0.75/0.25kw x 4/12p (2SET)
POWER SUPPLY	AC220.380.440.460,480Vx3ø x 60 Hz			
OPERATING METHOD	P.B type ON . FL			
LOAD CHAIN	Ø11.2 X 34 (3FALL)			
WEIGHT	(KG)	880KG		
I-BEAM 적용폭	125 ~ 190MM			

NOTE)

- 1) 점검 설비를 갖출 것
- 2) 인허가 서류를 완성검사시 제출 할 것

적용 I-BEAM)

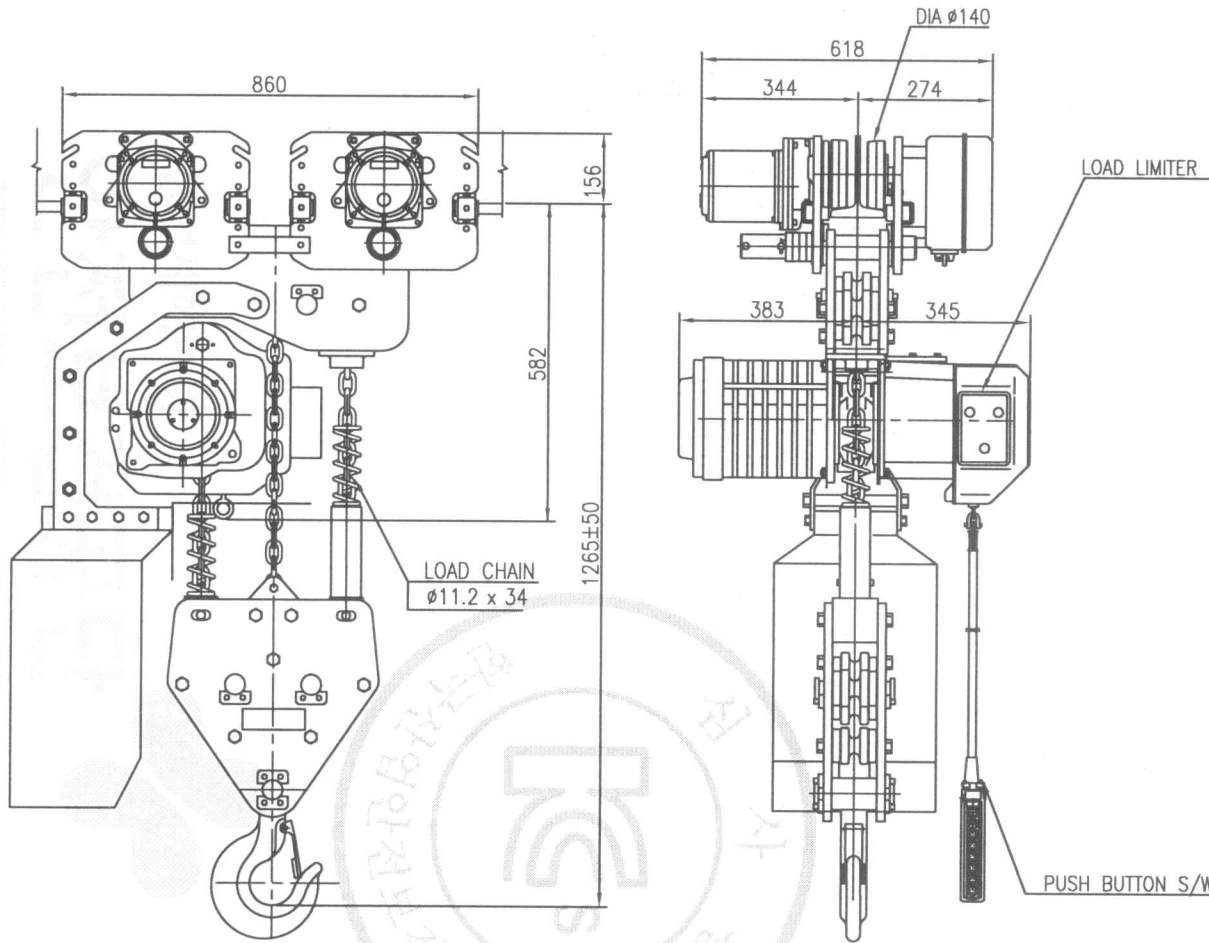
- 1) 지점간거리 : I-250X125X7.5/12.5-1.5M
- 2) 지점간거리 : I-300X150X10/18.5-3.2M
- 3) 지점간거리 : I-450X175X13/26-7.0M
- 4) 지점간거리 : I-600X190X13/25-10M

TITLE					PROJECTION	
ELECTRIC CHAIN HOIST DAM-7.5W						
WORK NO	WORK NAME				SCALE	Q' TY
	LK-DAM-7.5W					1
DRAWN	CHECKED	REVIEWED	APPROVED	DRAWING NO		
김 창 기						
2010.08.01				CODE NO		
L K HOIST CO., LTD.						

ON GMD

L K HOIST

NO	DESCRIPTION	SIZE	MAT' L	Q' TY	WT (kg)	REMARKS



SPECIFICATION

		LK-DBM-7.5W		
RATED LOAD (TON)		7.5		
TESTING LOAD (TON)		9.375		
LIFTING HEIGHT (M)		50		
HOISTING	SPEED (M/MIN)	2.1/0.7		
	MOTOR (KW)	4.4/2.2kw x 2/6p		
TRAVERSING	SPEED (M/MIN)	20	14	20/7
	MOTOR (KW)	0.75kw x 4p (2SET)	0.4kw x 6p (2SET)	0.75/0.25kw x 4/12p (2SET)
POWER SUPPLY	AC220.380.440.460.480Vx3ø x 60 Hz			
OPERATING METHOD	P.B type ON . FL			
LOAD CHAIN	ø11.2 X 34 (3FALL)			
WEIGHT (KG)	900KG			
I-BEAM 적용폭	125 ~ 190MM			

NOTE)

- 1)점검 설비를 갖출 것
- 2)인허가 서류를 완성검사시 제출 할 것

적용 I-BEAM)

- 1) 지점간거리 : I-250X125X7.5/12.5-1.5M
- 2) 지점간거리 : I-300X150X10/18.5-3.2M
- 3) 지점간거리 : I-450X175X13/26-7.0M
- 4) 지점간거리 : I-600X190X13/25-10M

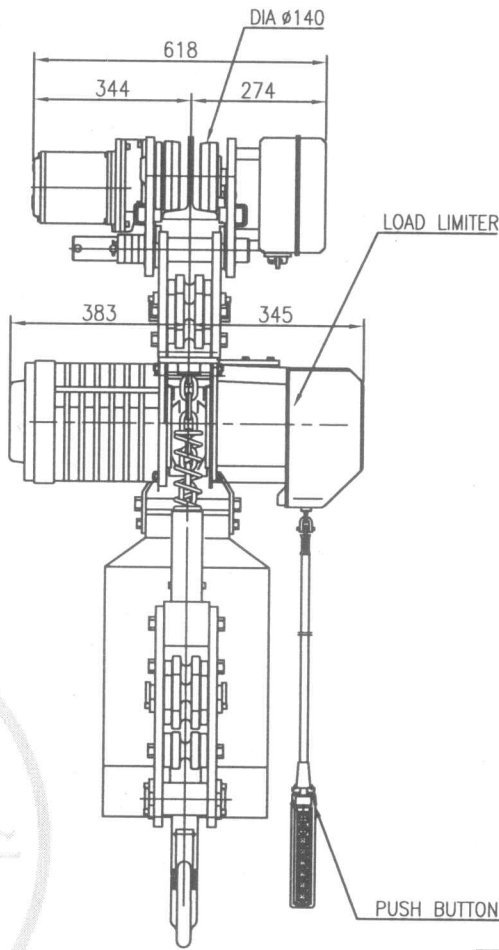
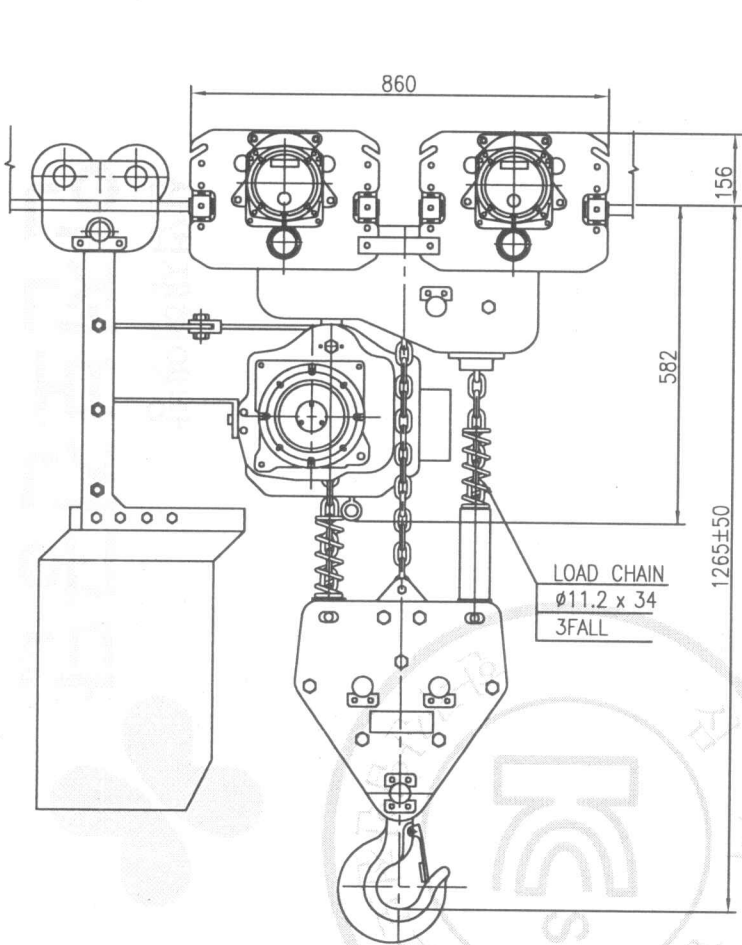
TITLE					PROJECTION	
ELECTRIC CHAIN HOIST DBM-7.5W						
WORK NO	WORK NAME				SCALE	Q' TY
	LK-DBM-7.5W					1
DRAWN	CHECKED	REVIEWED	APPROVED	DRAWING NO		
김창기				CODE NO		
2010.08.01						
L K HOIST CO., LTD.						

물범복제 및 배포금지

ON 9MD

L K HOIST

NO	DESCRIPTION	SIZE	MAT' L	Q' TY	WT (kg)	REMARKS



SPECIFICATION

		LK-DBM-7.5W		
RATED LOAD	(TON)	7.5		
TESTING LOAD	(TON)	9.375		
LIFTING HEIGHT	(M)	50		
HOISTING	SPEED (M/MIN)	2.1/0.7		
	MOTOR (KW)	4.4/2.2kw x 2/6p		
TRAVERSING	SPEED (M/MIN)	20	14	20/7
	MOTOR (KW)	0.75kw x 4p (2SET)	0.4kw x 6p (2SET)	0.75/0.25kw x 4/12p (2SET)
POWER SUPPLY	AC220.380.440.460.480Vx3φ x 60 Hz			
OPERATING METHOD	P.B type ON . FL			
LOAD CHAIN	ø11.2 X 34 (3FALL)			
WEIGHT	(KG)	900KG		
I-BEAM 적용폭	125 ~ 190MM			

NOTE)

- 1) 점검 설비를 갖출 것
- 2) 인허가 서류를 완성검사시 제출 할 것

적용 I-BEAM)

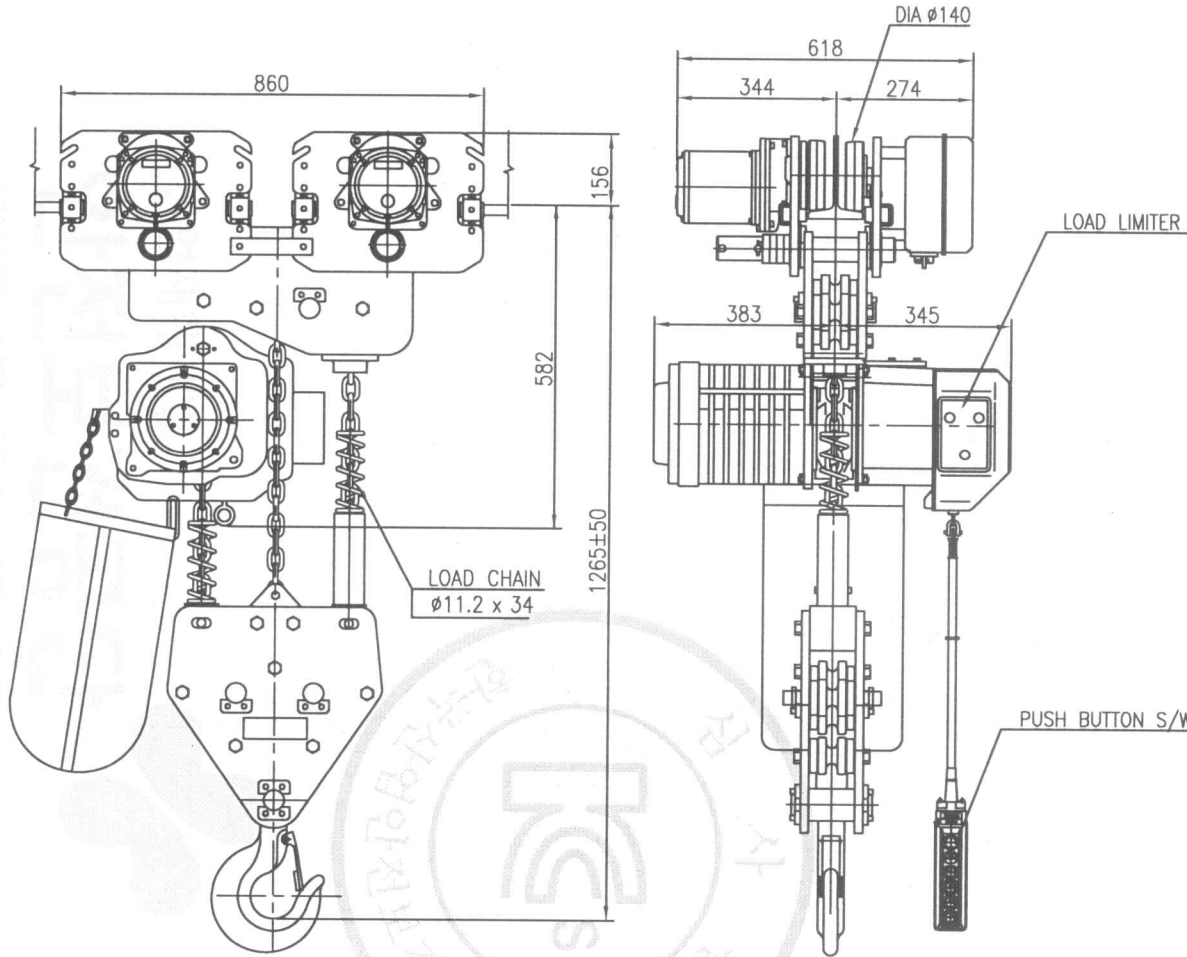
- 1) 지점간거리 : I-250X125X7.5/12.5-1.5M
- 2) 지점간거리 : I-300X150X10/18.5-3.2M
- 3) 지점간거리 : I-450X175X13/26-7.0M
- 4) 지점간거리 : I-600X190X13/25-10M

TITLE					PROJECTION	
ELECTRIC CHAIN HOIST DBM-7.5W						
WORK NO	WORK NAME				SCALE	Q' TY
	LK-DBM-7.5W					1
DRAWN	CHECKED	REVIEWED	APPROVED	DRAWING NO		
김창기						
2010.08.01				CODE NO		
L K HOIST CO., LTD.						

물범보제 및 배포금지

L K HOIST

NO	DESCRIPTION	SIZE	MAT'L	Q'TY	WT (kg)	REMARKS



LOAD CHAIN
ø11.2 x 34

PUSH BUTTON S/W

적용 I-BEAM)

- 1) 지점간거리 : I-250X125X7.5/12.5-1.5M
- 2) 지점간거리 : I-300X150X10/18.5-3.2M
- 3) 지점간거리 : I-450X175X13/26-7.0M
- 4) 지점간거리 : I-600X190X13/25-10M

SPECIFICATION

		LK-DBM-7.5W		
RATED LOAD	(TON)	7.5		
TESTING LOAD	(TON)	9.375		
LIFTING HEIGHT	(M)	50		
HOISTING	SPEED (M/MIN)	2.1/0.7		
	MOTOR (KW)	4.4/2.2kw x 2/6p		
TRAVERSING	SPEED (M/MIN)	20	14	20/7
	MOTOR (KW)	0.75kw x 4p (2SET)	0.4kw x 6p (2SET)	0.75/0.25kw x 4/12p (2SET)
POWER SUPPLY	AC220.380.440.460.480Vx3ø x 60 Hz			
OPERATING METHOD	P.B type ON . FL			
LOAD CHAIN	ø11.2 X 34 (3FALL)			
WEIGHT	(KG)	880KG		
I-BEAM 적용폭	125 ~ 190MM			

NOTE)

- 1)점검 설비를 갖출 것
- 2)인허가 서류를 완성검사시 제출 할 것

TITLE					PROJECTION	
ELECTRIC CHAIN HOIST DBM-7.5W						
WORK NO	WORK NAME				SCALE	Q'TY
	LK-DBM-7.5W					1
DRAWN	CHECKED	REVIEWED	APPROVED	DRAWING NO		
김창기						
2010.08.01				CODE NO		
L K HOIST CO., LTD.						

물범북제 및 배포금지