

TRAVELLING POWER
SUPPLY SYSTEM
TB1(Trolley Bar
or Festoon Type)



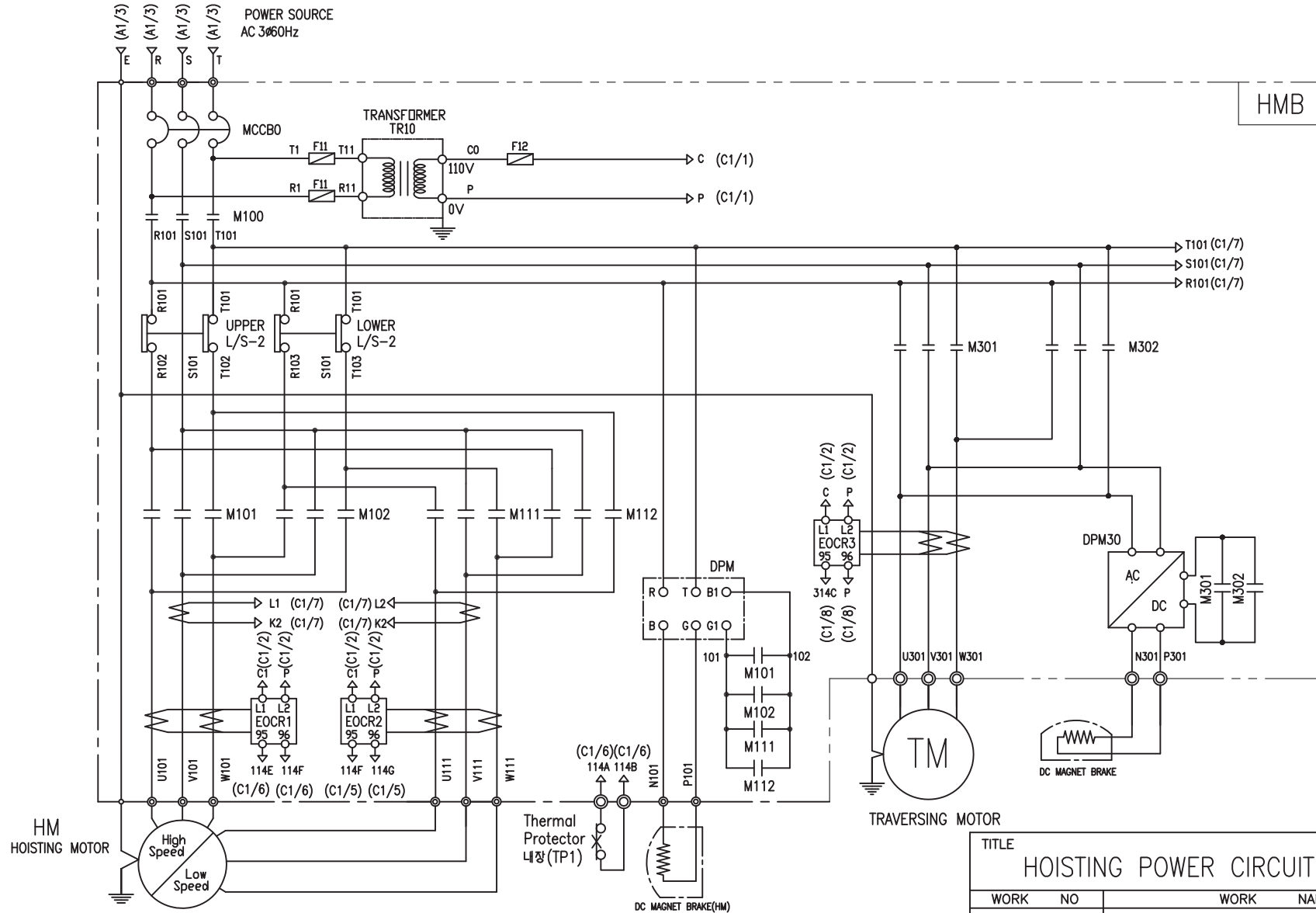
(B1/3) (B1/3) (B1/3) (B1/3)
(B2/3) (B2/3) (B2/3) (B2/3)
HOISTING & TRAVERSING
POWER

MAIN POWER SOURCE
AC 3Ø60Hz 220V, 380V, 440V, 460V, 480V



-NOTE-

- 1. - - - - MARKED OWNER SCOPE
- 2. ——— MARKED CRANE MAKER SCOPE

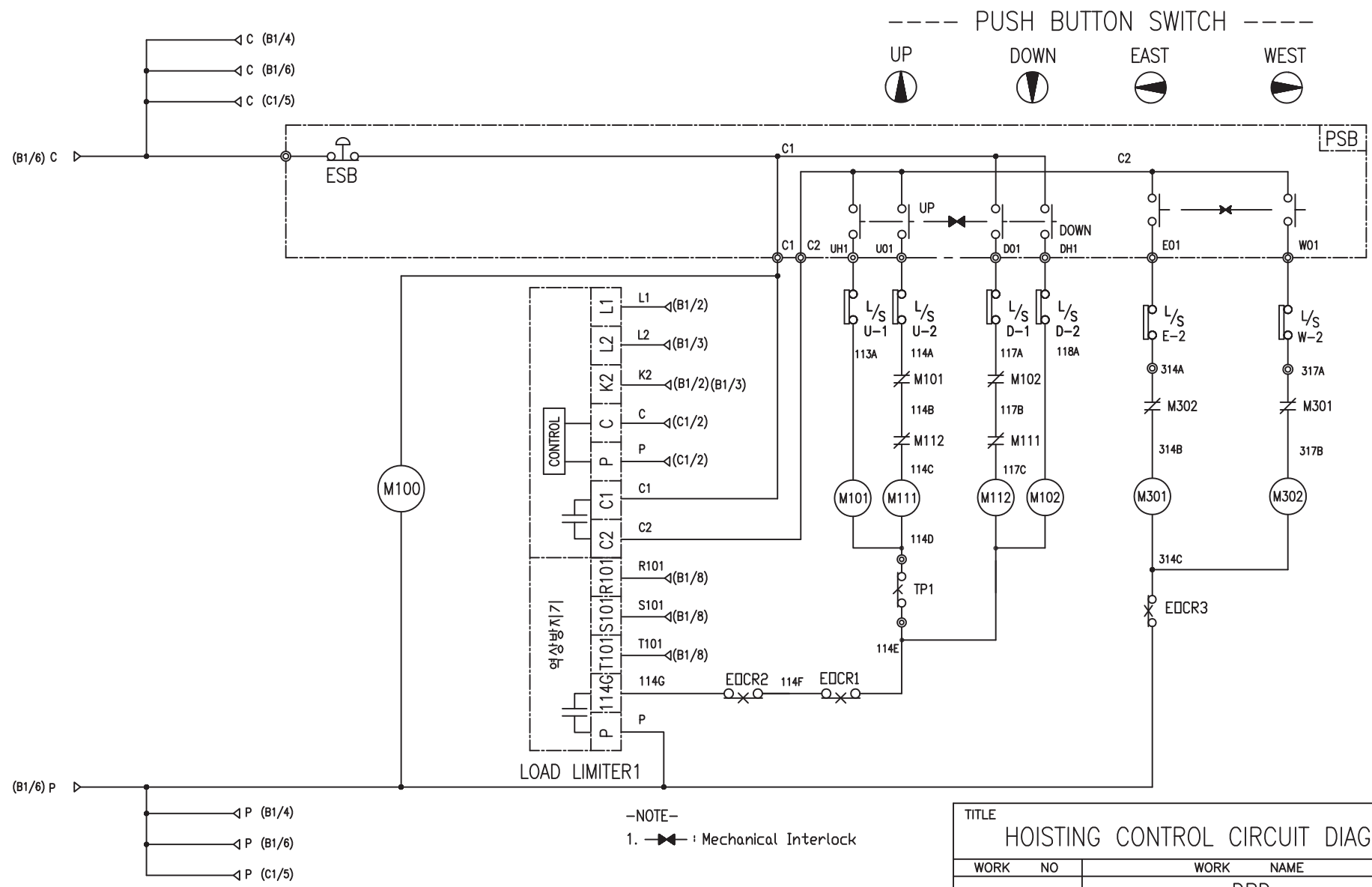
TITLE MAIN POWER CIRCUIT DIAGRAM1				PROJECTION 	
WORK NO 601	WORK NAME DBD			SCALE 1/1	Q' TY 1
220V, 380V, 440V, 460V, 480V					
DRAWN LEE.G.H	CHECKED	REVIEWED	APPROVED	MODEL	
2010.08.06				CODE NO	
L K HOIST CO., LTD.					



HMB

TITLE HOISTING POWER CIRCUIT DIAGRAM				PROJECTION 	
WORK NO. 602		WORK NAME DBD			
		220V, 440V, 460V, 480V			
SCALE	Q' TY				
DRAWN LEE.G.H	CHECKED	REVIEWED	APPROVED	MODEL	CODE NO
2010.08.06					CODE_NO
 L K HOIST CO., LTD.					

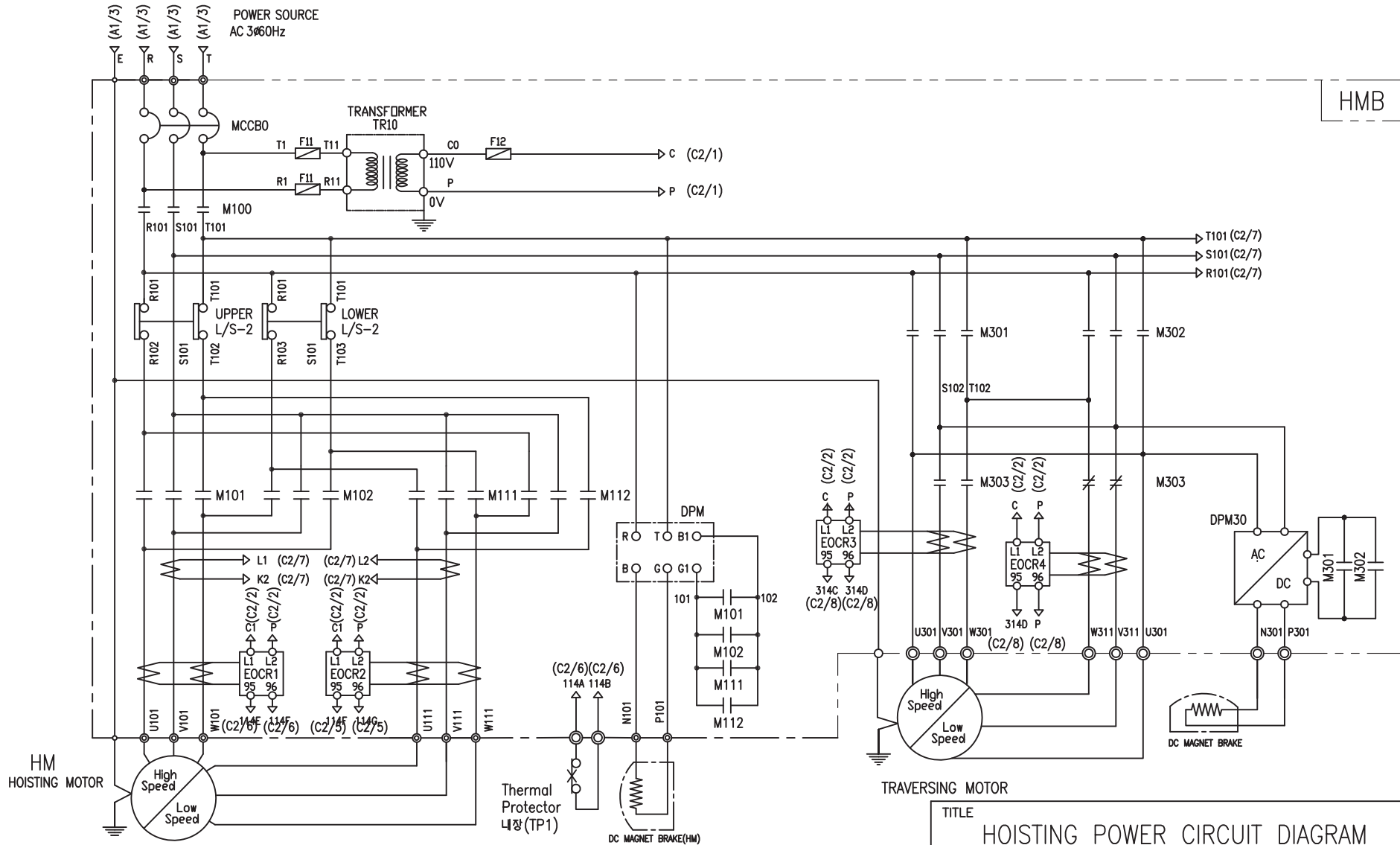
SPECIFICATION	NO FUSE BREAKER	MAGNET CONTACTOR	TRANSFORMER	SILICON RECTIFIER				과전류계전기	FUSE	HOISTING MOTOR	TRAVERSING MOTOR				
	MCCB0	M100, M101, M102, M111, M112	TR10	DPM, DPM30				EOCR1 EOCR2	EOCR3	F11 F12	HM	TM			
SYMBOLS															
DESCRIPTION	220V	30A	DMC22	DMC12	60 VA	AC220V	AC440V	AC460V	AC480V	SS-30	SS-06	1A	2A	1.8Kw x 2P / 0.7Kw x 6P	0.75Kw * 4P 0.5Kw * 6P
	440V	15A				DC99V	DC198V	DC207V	DC216V						
	460V	15A													
	480V	15A													
MAKER	LS	DONGA	YOUNG DONG	LK				SAMWHA	-	LK	LK				



-NOTE-
1. ——— : Mechanical Interlock

SPECIFICATION	LOAD LIMITER
SYMBOLS	LKDL601
DESCRIPTION	1A - 50A
MAKER	LK

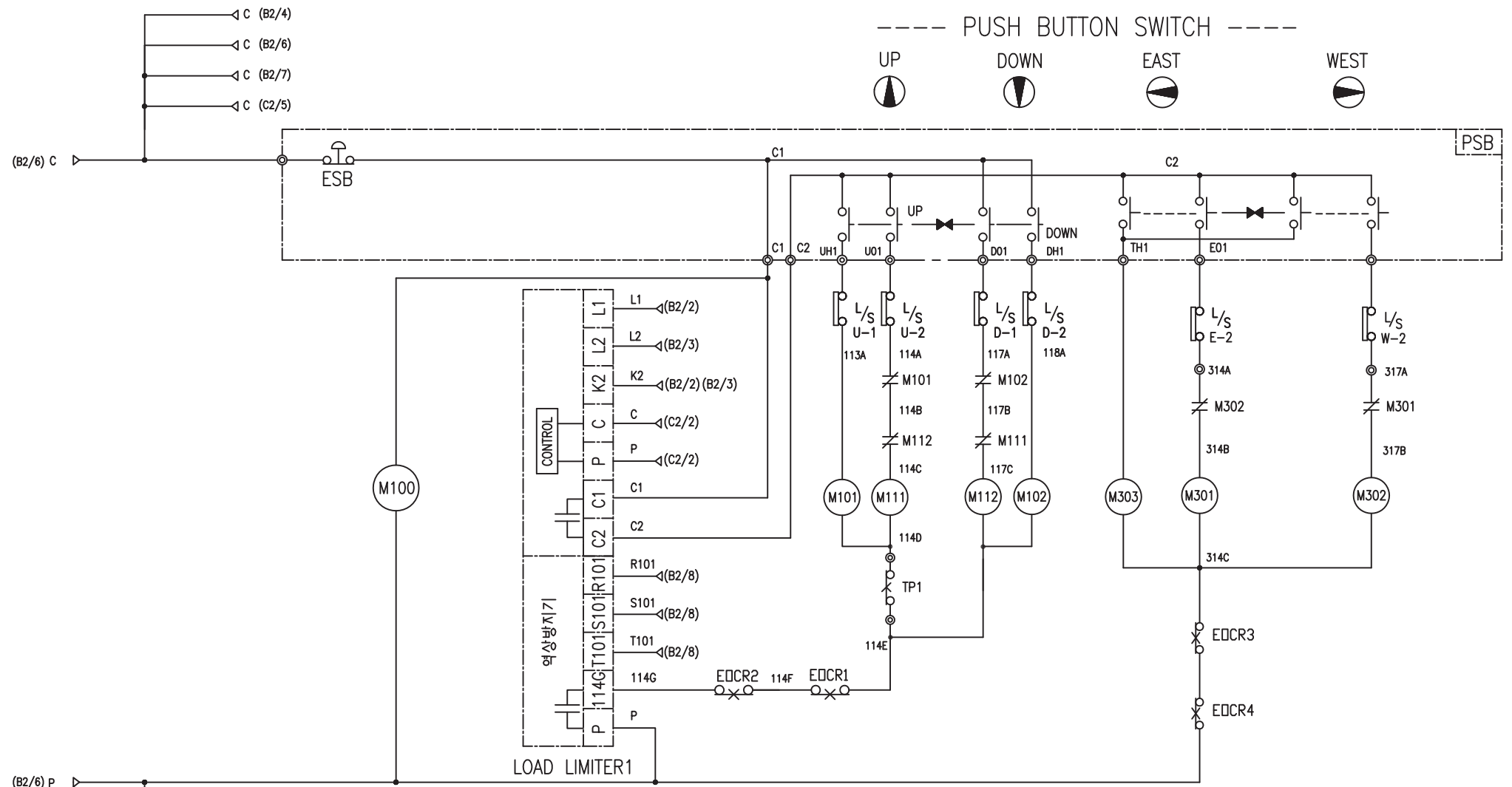
TITLE				PROJECTION	
HOISTING CONTROL CIRCUIT DIAGRAM					
WORK NO	WORK NAME			SCALE	Q' TY
604	DBD				
220V, 380V, 440V, 460V, 480V					
DRAWN	CHECKED	REVIEWED	APPROVED	MODEL	
LEE.G.H				CODE NO	CODE_NO
2010.08.06					
L K HOIST CO., LTD.					



HMB

TITLE				PROJECTION	
HOISTING POWER CIRCUIT DIAGRAM					
WORK NO		WORK NAME		SCALE	
605		DBD		Q' TY	
220V, 440V, 460V, 480V					
DRAWN	CHECKED	REVIEWED	APPROVED	MODEL	
LEE.G.H				CODE NO	
2010.08.06				CODE_NO	
L K HOIST CO., LTD.					

SPECIFICATION	NO FUSE BREAKER	MAGNET CONTACTOR	TRANSFORMER	SILICON RECTIFIER				과전류계전기	FUSE	HOISTING MOTOR	TRAVERSING MOTOR							
SYMBOLS	MCCBO	M100, M101, M102, M111, M112	TR10	DPM, DPM30				EOCR1, EOCR2, EOCR3, EOCR4	F11, F12	HM	TM							
DESCRIPTION	220V	30A	60 VA	AC220V	AC440V	AC460V	AC480V	SS-30	SS-06	1A	2A	1.8Kw x 2P	0.75Kw * 4P					
	380V	20A		DC99V	DC198V	DC207V	DC216V							/	/			
	440V	15A		DONGA	YOUNG DONG	LK	SAMWHA									-	LK	LK
	460V	15A																
	480V	15A																
480V	15A																	
MAKER	LS	DONGA	YOUNG DONG	LK	SAMWHA	-	LK	LK										



-NOTE-
1. —>—> : Mechanical Interlock

SPECIFICATION	LOAD LIMITER
SYMBOLS	LKDL601
DESCRIPTION	1A - 50A
MAKER	LK

TITLE HOISTING CONTROL CIRCUIT DIAGRAM				PROJECTION 	
WORK NO 606	WORK NAME DBD			SCALE	Q' TY
220V, 380V, 440V, 460V, 480V					
DRAWN LEE.G.H	CHECKED	REVIEWED	APPROVED	MODEL	
2010.08.06				CODE NO	CODE_NO
L K HOIST CO., LTD.					

SCHEDULE OF TECHNICAL DATA

1. SERVICE	HOISTING
2. MANUFACTURE	LK HOIST CO. LTD
3. MOTOR MODEL NO	1.8/0.7 - 2/6 - 48
4. RATED POWER	1.8/0.7 KW × 2/6 P
5. RATED VOLTAGE AND FREQUENCY	480 V 60HZ
6. MOTOR TYPE	SQUIRREL CAGE ROTOR TYPE
7. RATING	30 MIN
8. LOCATION	IN-DOOR , OUTDOOR
9. INSULATION CLASS	B
10. DESIGN TEMPERATURE RISE (BY RESISTANCE)	80℃
11. FULL LOAD SPEED	3440/1140 RPM
12. FULL LOAD CURRENT	4.9/1.73 A
13. STARTING CURRENT AT RATED VOLTAGE	26.9/9.52 A
14. MINIMUM STARTING VOLTAGE	432 V
15. EFFICIENCY AT 100% RATED LOAD	64/64 %
16. POWER FACTOR AT 100% RATED LOAD	64/64 %
17. STARTING TORQUE	235 %
18. TYPE OF ENCLOSURE	전폐형
19. TYPE OF BEARING	PL : 6205DD OPL : 6008ZZ
20. MOUNTING	VERTICAL
21. MAXIMUM AMBIENT TEMPURE	40℃
22. BEARING LUBRICATION	GREASE
23. STARTING METHOD	FULL VOLTAGE

SCHEDULE OF TECHNICAL DATA

1. SERVICE	TRAVERSING
2. MANUFACTURE	LK HOIST CO. LTD
3. MOTOR MODEL NO	0.75 - 4 - 48
4. RATED POWER	0.75 KW × 4 P
5. RATED VOLTAGE AND FREQUENCY	480 V 60HZ
6. MOTOR TYPE	SQUIRREL CAGE ROTOR TYPE
7. RATING	15 MIN
8. LOCATION	OUTDOOR
9. INSULATION CLASS	B
10. DESIGN TEMPERATURE RISE (BY RESISTANCE)	100℃
11. FULL LOAD SPEED	1710 RPM
12. FULL LOAD CURRENT	2.2 A
13. STARTING CURRENT AT RATED VOLTAGE	12.1 A
14. MINIMUM STARTING VOLTAGE	432 V
15. EFFICIENCY AT 100% RATED LOAD	65 %
16. POWER FACTOR AT 100% RATED LOAD	63 %
17. STARTING TORQUE	250 %
18. TYPE OF ENCLOSURE	전폐형
19. TYPE OF BEARING	PL : 6008DD OPL : 6207ZZ
20. MOUNTING	VERTICAL
21. MAXIMUM AMBIENT TEMPURE	40℃
22. BEARING LUBRICATION	GREASE
23. STARTING METHOD	FULL VOLTAGE

SCHEDULE OF TECHNICAL DATA

1. SERVICE	TRAVERSING
2. MANUFACTURE	LK HOIST CO. LTD
3. MOTOR MODEL NO	0.5 - 6 - 48
4. RATED POWER	0.5 KW × 6 P
5. RATED VOLTAGE AND FREQUENCY	480 V 60HZ
6. ROTOR TYPE	SQUIRREL CAGE ROTOR TYPE
7. RATING	15 MIN
8. LOCATION	OUTDOOR
9. INSULATION CLASS	B
10. DESIGN TEMPERATURE RISE (BY RESISTANCE)	100℃
11. FULL LOAD SPEED	1140 RPM
12. FULL LOAD CURRENT	1.47 A
13. STARTING CURRENT AT RATED VOLTAGE	8.1 A
14. MINIMUM STARTING VOLTAGE	432 V
15. EFFICIENCY AT 100% RATED LOAD	65 %
16. POWER FACTOR AT 100% RATED LOAD	63 %
17. STARTING TORQUE	249 %
18. TYPE OF ENCLOSURE	전폐형
19. TYPE OF BEARING	PL : 6008DD OPL : 6207ZZ
20. MOUNTING	VERTICAL
21. MAXIMUM AMBIENT TEMPERATURE	40℃
22. BEARING LUBRICATION	GREASE
23. STARTING METHOD	FULL VOLTAGE

SCHEDULE OF TECHNICAL DATA

1. SERVICE	TRAVERSING
2. MANUFACTURE	LK HOIST CO. LTD
3. MOTOR MODEL NO	0.75/0.25 - 4/12 - 48
4. RATED POWER	0.75/0.25 KW × 4/12 P
5. RATED VOLTAGE AND FREQUENCY	480 V 60HZ
6. MOTOR TYPE	SQUIRREL CAGE ROTOR TYPE
7. RATING	15 MIN
8. LOCATION	OUTDOOR
9. INSULATION CLASS	B
10. DESIGN TEMPERATURE RISE (BY RESISTANCE)	100℃
11. FULL LOAD SPEED	1710 / 550 RPM
12. FULL LOAD CURRENT	2.2 / 1.38 A
13. STARTING CURRENT AT RATED VOLTAGE	12.1 / 7.6 A
14. MINIMUM STARTING VOLTAGE	432 V
15. EFFICIENCY AT 100% RATED LOAD	65 / 48 %
16. POWER FACTOR AT 100% RATED LOAD	63 / 45 %
17. STARTING TORQUE	250 / 245 %
18. TYPE OF ENCLOSURE	전폐형
19. TYPE OF BEARING	PL : 6008DD OPL : 6207ZZ
20. MOUNTING	VERTICAL
21. MAXIMUM AMBIENT TEMPURE	40℃
22. BEARING LUBRICATION	GREASE
23. STARTING METHOD	FULL VOLTAGE