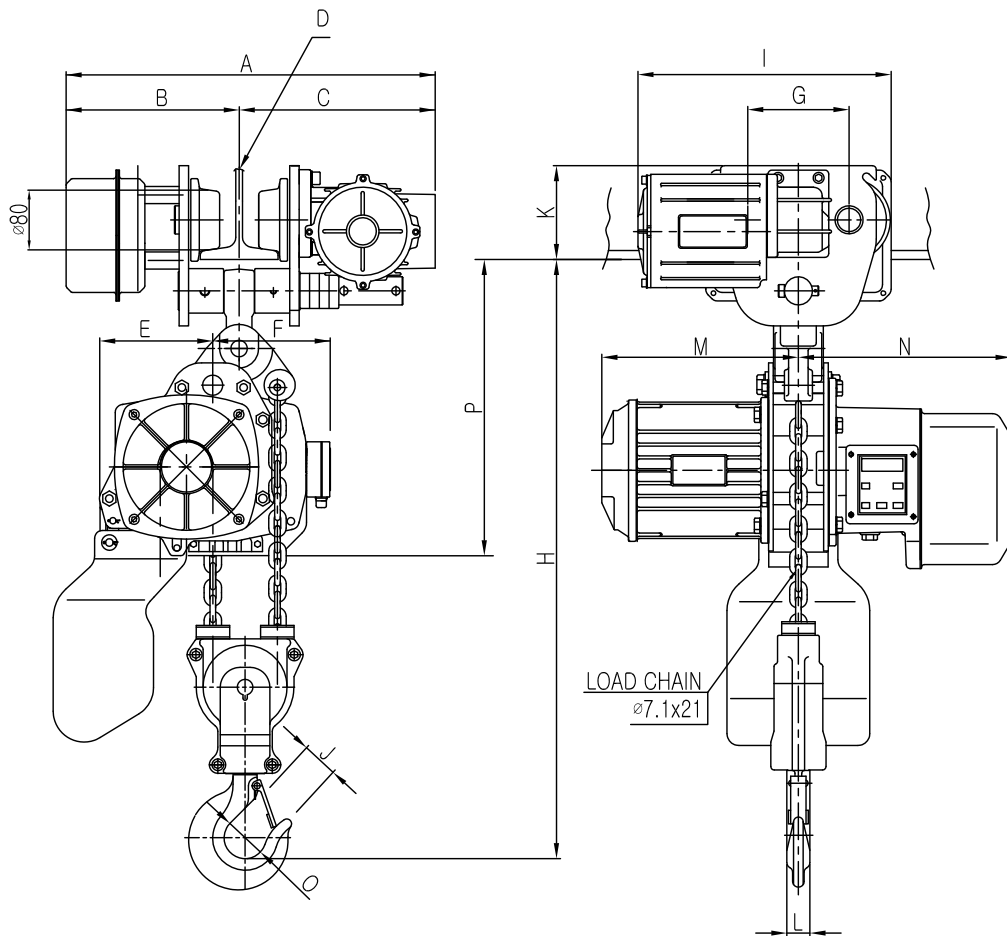


ON 5MG

L K HOIST

NO	DESCRIPTION	SIZE	MAT' L	Q' TY	WT (kg)	REMARKS



DIMENSIONS

MODEL	A	B	C	D	E	F	G	H	I	J	K	L	M	N	O	P
LTM-1.9W	479	222.5	256.5	100~175	181	155	130	640±21	370	40	110	30	262	273	53.5	409

적용 I-BEAM)

- 1) I- 200 X100 X7/10 - 3.0M
- 2) I- 250 X125 X7.5/12.5 - 5.0M
- 3) I- 300 X150 X10/18.5 - 7.5M
- 4) I- 450 X175 X13/26 - 12M

REV.NO	DATE	REVISION	DESCRIPTION	DRAWN	CHECKED	APPROVED

SPECIFICATION

		LTMH-1.9W		
RATED LOAD (TON)		1.9		
TESTING LOAD (TON)		2.375		
LIFTING HEIGHT (M)		100		
HOISTING	SPEED (M/MIN)	4.1		2.7
	MOTOR (KW)	1.8kw x 4p		1.2kw x 6p
TRAVERSING	SPEED (M/MIN)	18.8	9.23	18.8/4.6
	MOTOR (KW)	0.3kw x 2p	0.2kw x 4p	0.3/0.15kw x 2/8p
POWER SUPPLY	AC220.380.440.460.480Vx3ø x 60 Hz			
OPERATING METHOD	P.B type ON . FL			
LOAD CHAIN	ø7.1 X 21 (2FALL)			
WEIGHT (KG)	231			
I-BEAM 적용폭	100 ~ 175MM			

NOTE)

- 1)점검 설비를 갖출 것
- 2)인허가 서류를 완성검사시 제출 할 것

TITLE		CHAIN HOIST LTMH-1.9W			PROJECTION	
WORK NO	WORK NAME				SCALE	Q' TY
					N S	1
DRAWN	CHECKED	REVIEWED	APPROVED	DRAWING NO		
김창기						
2010.07.15						

ON 9MD

L K HOIST

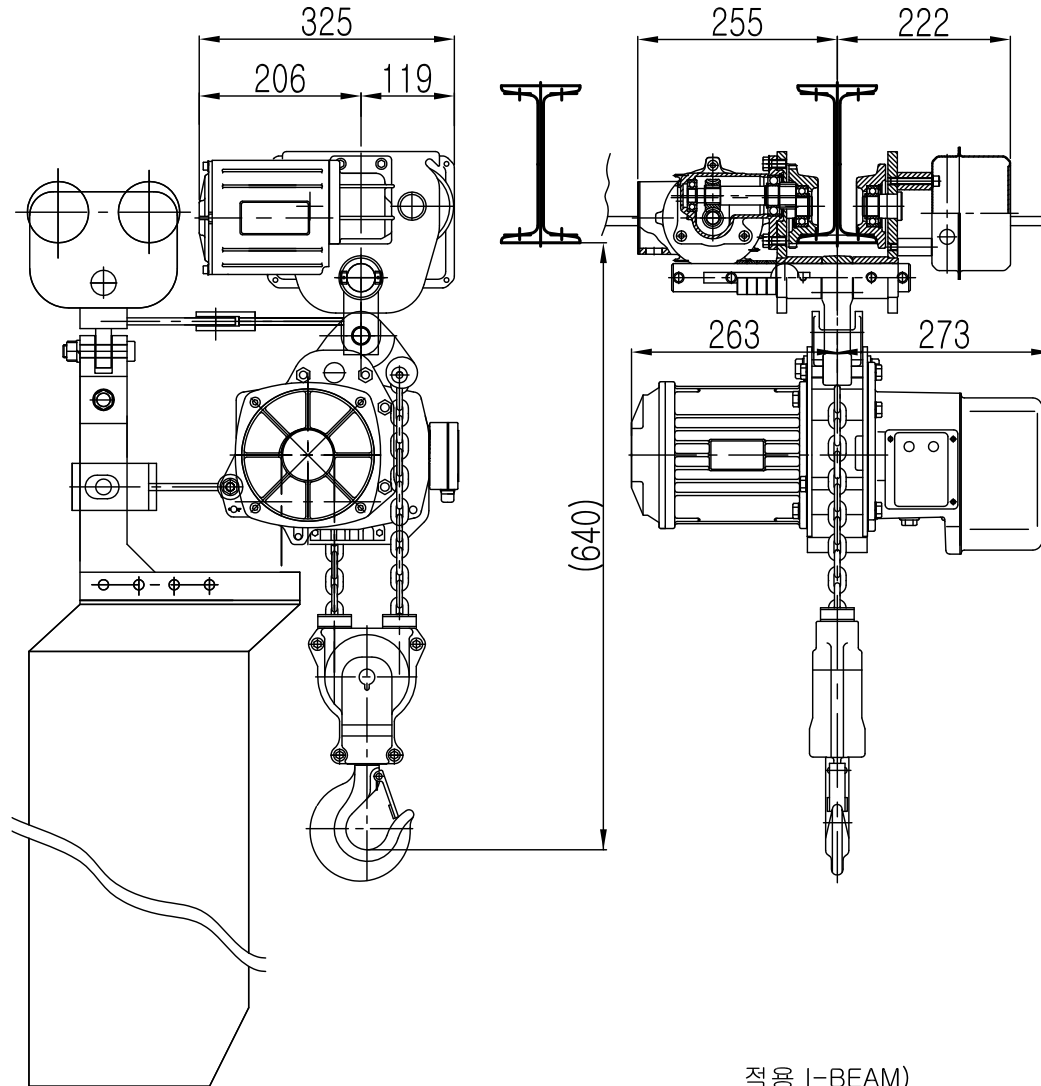
NO	DESCRIPTION	SIZE	MAT' L	Q' TY	WT (kg)	REMARKS

SPECIFICATION

		LTMH-1.9W		
RATED LOAD	(TON)	1.9		
TESTING LOAD	(TON)	2.375		
LIFTING HEIGHT	(M)	100		
HOISTING	SPEED (M/MIN)	4.1	2.7	
	MOTOR (KW)	1.8kw x 4p		1.2kw x 6p
TRAVERSING	SPEED (M/MIN)	18.8	9.23	18.8/4.6
	MOTOR (KW)	0.3kw x 2p	0.2kw x 4p	0.3/0.15kw x 2/8p
POWER SUPPLY	AC220.380.440.460.480Vx3ø x 60 Hz			
OPERATING METHOD	P.B type ON . FL			
LOAD CHAIN	ø7.1 X 21(2FALL)			
WEIGHT	(KG)	370		
I-BEAM 적용폭		100 ~ 175MM		

NOTE)

- 1)점검 설비를 갖출 것
- 2)인허가 서류를 완성검사시 제출 할 것



적용 I-BEAM)

- 1) I- 200 X100 X7/10 - 3.0M
- 2) I- 250 X125 X7.5/12.5 - 5.0M
- 3) I- 300 X150 X10/18.5 - 7.5M
- 4) I- 450 X175 X13/26 - 12M

TITLE				PROJECTION	
CHAIN HOIST LTMH-1.9W					
WORK NO	WORK NAME			SCALE	Q' TY
					1
DRAWN	CHECKED	REVIEWED	APPROVED	DRAWING NO	
김 창 기					
2020.01.30					
L K HOIST CO., LTD.					

REV.NO	DATE	REVISION	DESCRIPTION	DRAWN	CHECKED	APPROVED