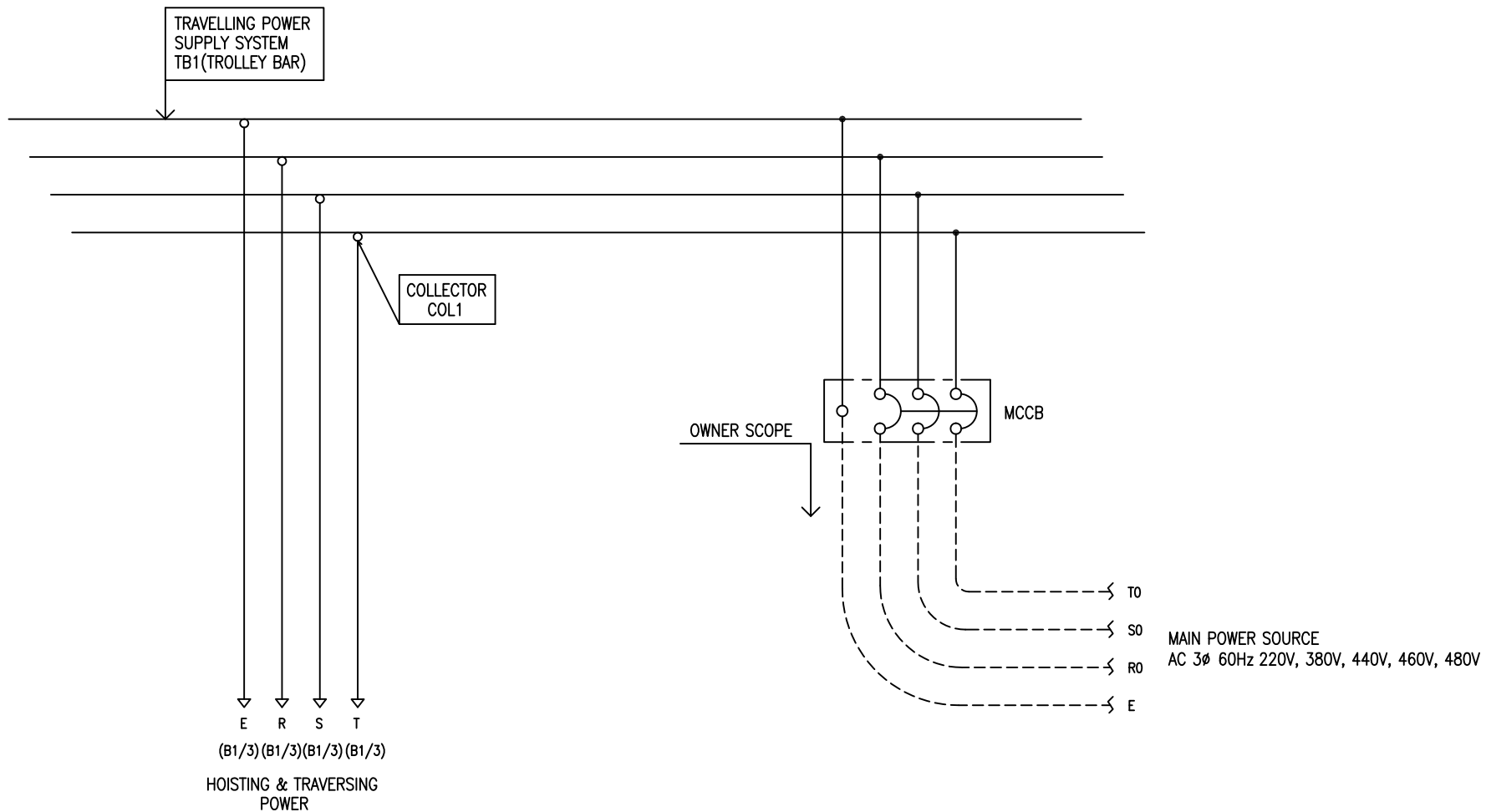


POWER CIRCUIT  
TRAVELLING POWER SUPPLY SYSTEM

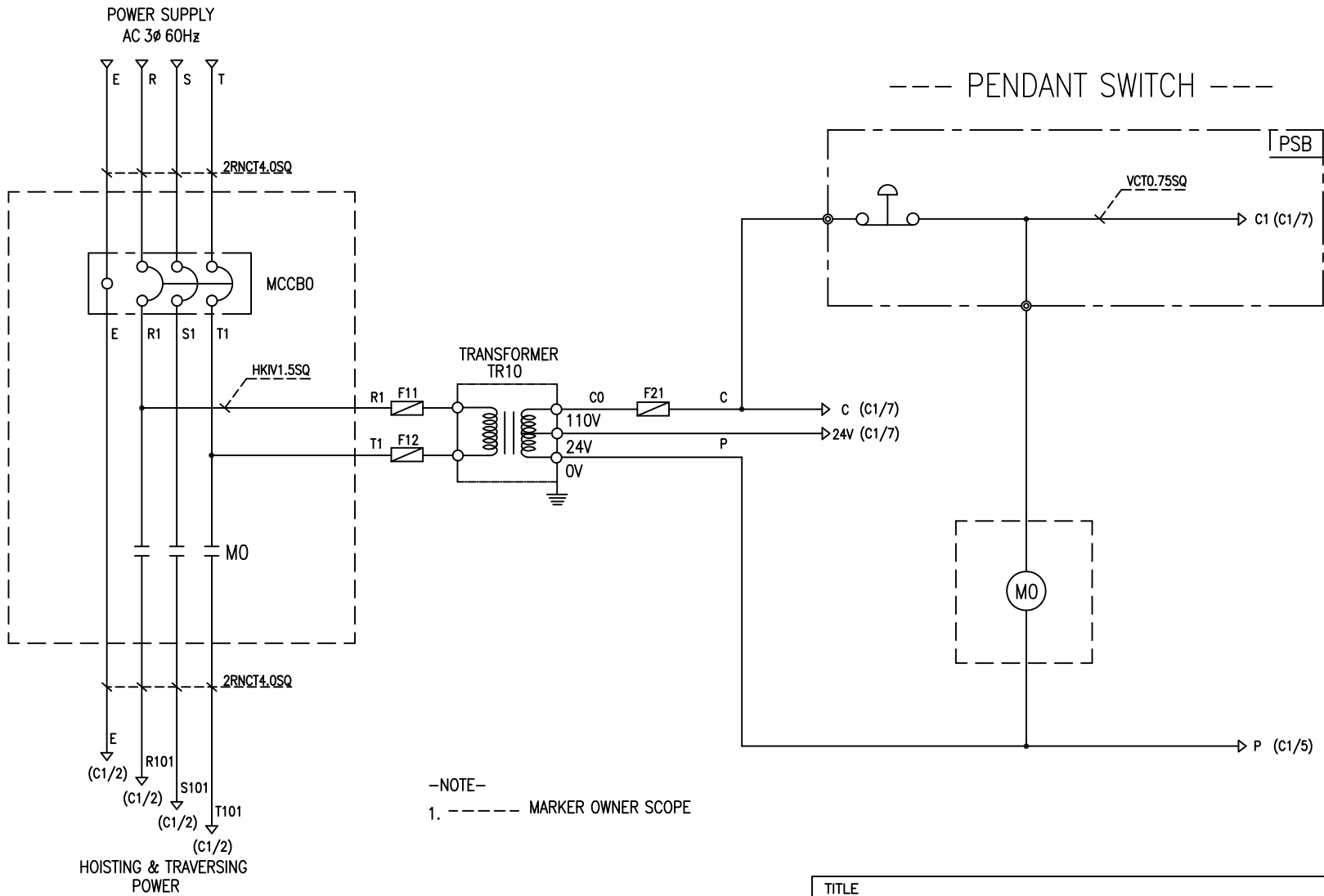
ADDRESS NO.  
A1



-NOTE-

- 1. - - - - MARKED OWNER SCOPE
- 2. ——— MARKED CRAIN MAKER SCOPE

TITLE MAIN POWER CIRCUIT DIAGRAM1						PROJECTION 	
WORK NO 601		WORK NAME EDA				SCALE 1/1	Q' TY 1
220V, 380V, 440V, 460V, 480V		DRAWN LEE G.H. 2017.12.08		CHECKED	REVIEWED	APPROVED	DRAWING NO EDA
		CODE NO					
L K HOIST CO., LTD.							

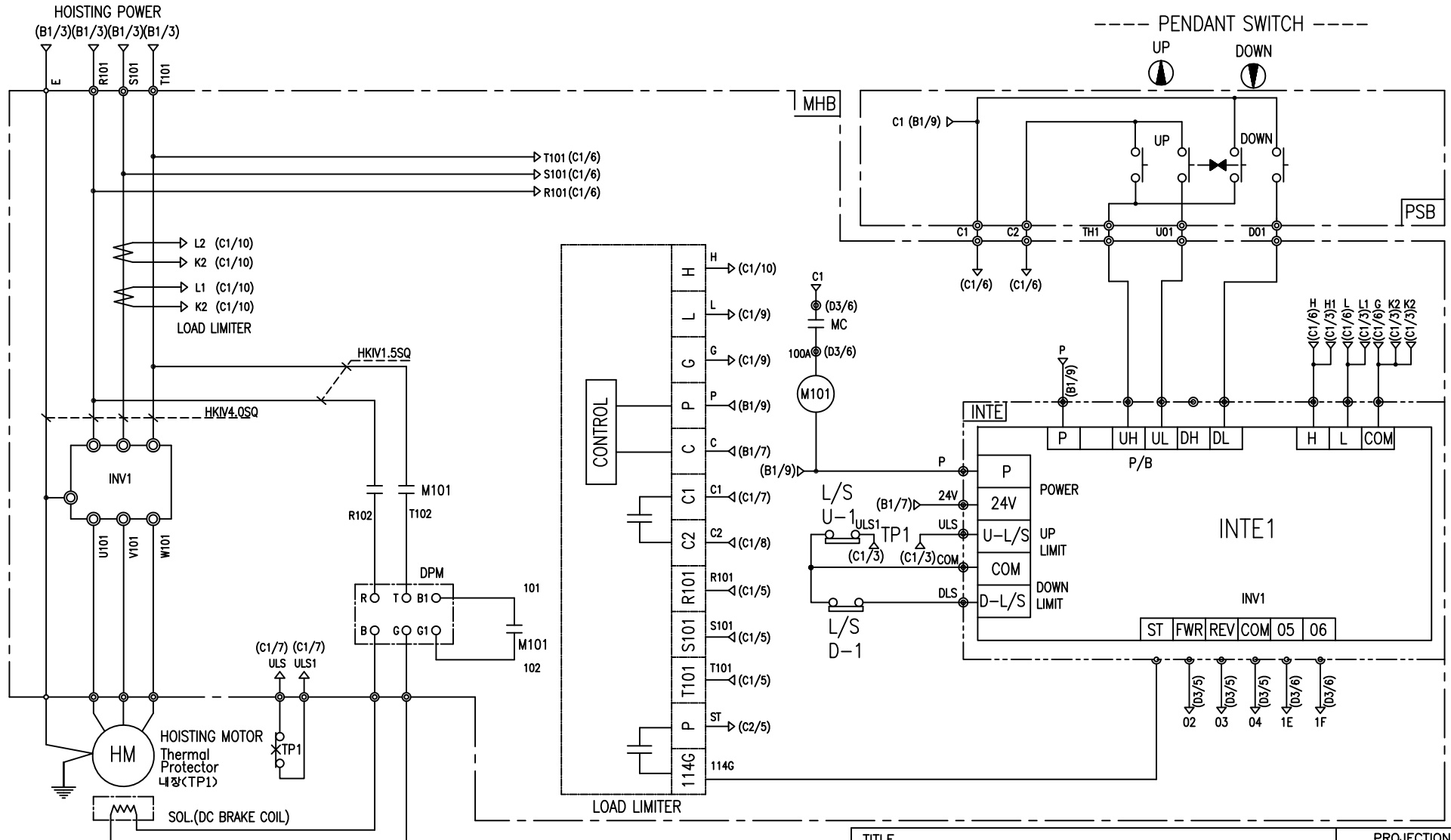


-NOTE-

1. ----- MARKER OWNER SCOPE

SPECIFICATION	NO FUSE BREAKER	MAGNET CONTACT	TRANSFORMER	FUZE		
SYMBOLS	MCCB0	MO	TR10	F11, F12, F21		
DESCRIPTION	220V	30A	GMC22	DMC-22	40VA	1A
	380V	15A				
	440V	15A				
	460V	15A				
	480V	15A				
MAKER	LS	LS	DONGA	LK	-	

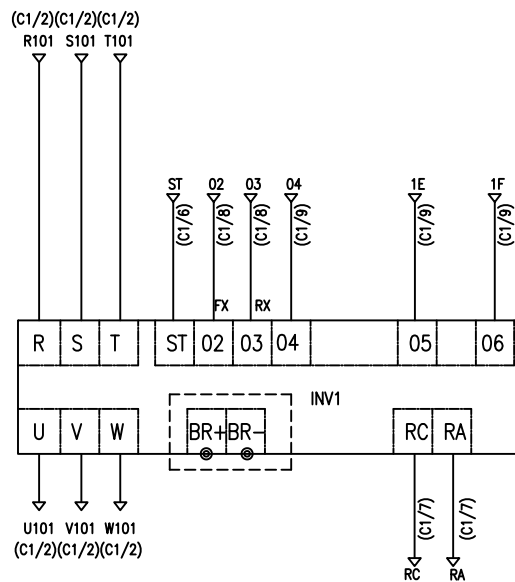
TITLE MAIN POWER & CONTROL CIRCUIT DIAGRAM						PROJECTION 	
WORK NO	WORK NAME					SCALE	Q' TY
602	EDA					1/1	1
220V, 380V, 440V, 460V, 480V							
DRAWN	CHECKED	REVIEWED	APPROVED	MODEL	EDA		
LEE.G.H					CODE NO		
2017.12.08							
L K HOIST CO., LTD.							



-NOTE-  
 1. : Mechanical Interlock

TITLE HOIST POWER & CONTROL CIRCUIT DIAGRAM						PROJECTION 	
WORK NO 603		WORK NAME EDA				SCALE 1/1	
220V, 380V, 440V, 460V, 480V						Q' TY 1	
DRAWN LEE.G.H	CHECKED	REVIEWED	APPROVED	MODEL EDA		CODE NO	
2017.12.08		L K HOIST CO., LTD.					

SPECIFICATION	MAGNET CONTACT	LOAD LIMITER	SILICON RECTIFIER				Thermal Protector	HOIST MOTOR
SYMBOLS	M101	-	DPM				TP1	HM
DESCRIPTION	DMC25C	LKDL-80	AC220V	AC380V	AC440V	AC460V	AC480V	17AM032 1.8Kw * 4P
			DC99V	DC171V	DC198V	DC207V	DC216V	
MAKER	DONG-A	LK	LK				Texas Instruments	LK



-NOTE-

1. ----- : OPTION SCOPE

SPECIFICATION	INVERTER	BRAKING RESISTOR
SYMBOLS	INV1	BR
DESCRIPTION	2.2KW	300W 250 OHM
MAKER	ROCKWELL	-

TITLE					(D1/6) PROJECTION	
INVERTER CONTROL CIRCUIT DIAGRAM						
WORK NO	WORK NAME				SCALE	Q' TY
604	HOISTING				1/1	1
220V, 380V, 440V, 460V, 480V						
DRAWN	CHECKED	REVIEWED	APPROVED	MODEL	EDA	
LEE.G.H				CODE NO		
2017.12.08.						

## SCHEDULE OF TECHNICAL DATA

1. SERVICE	HOISTING
2. MANUFACTURE	LK HOIST CO. LTD
3. MOTOR MODEL NO	1.8 - 4 - 46
4. RATED POWER	1.8 KW × 4 P
5. RATED VOLTAGE AND FREQUENCY	460 V      60HZ
6. MOTOR TYPE	SQUIRREL CAGE ROTOR TYPE
7. RATING	30 MIN
8. LOCATION	IN-DOOR , OUTDOOR
9. INSULATION CLASS	B
10. DESIGN TEMPERATURE RISE (BY RESISTANCE)	80℃
11. FULL LOAD SPEED	1740 RPM
12. FULL LOAD CURRENT	4.5 A
13. STARTING CURRENT AT RATED VOLTAGE	22.2 A
14. MINIMUM STARTING VOLTAGE	397 V
15. EFFICIENCY AT 100% RATED LOAD	72.4 %
16. POWER FACTOR AT 100% RATED LOAD	69.4 %
17. STARTING TORQUE	246 %
18. TYPE OF ENCLOSURE	전폐형
19. TYPE OF BEARING	PL : 6008DD    OPL : 6207ZZ
20. MOUNTING	VERTICAL
21. MAXIMUM AMBIENT TEMPURE	40℃
22. BEARING LUBRICATION	GREASE
23. STARTING METHOD	FULL VOLTAGE