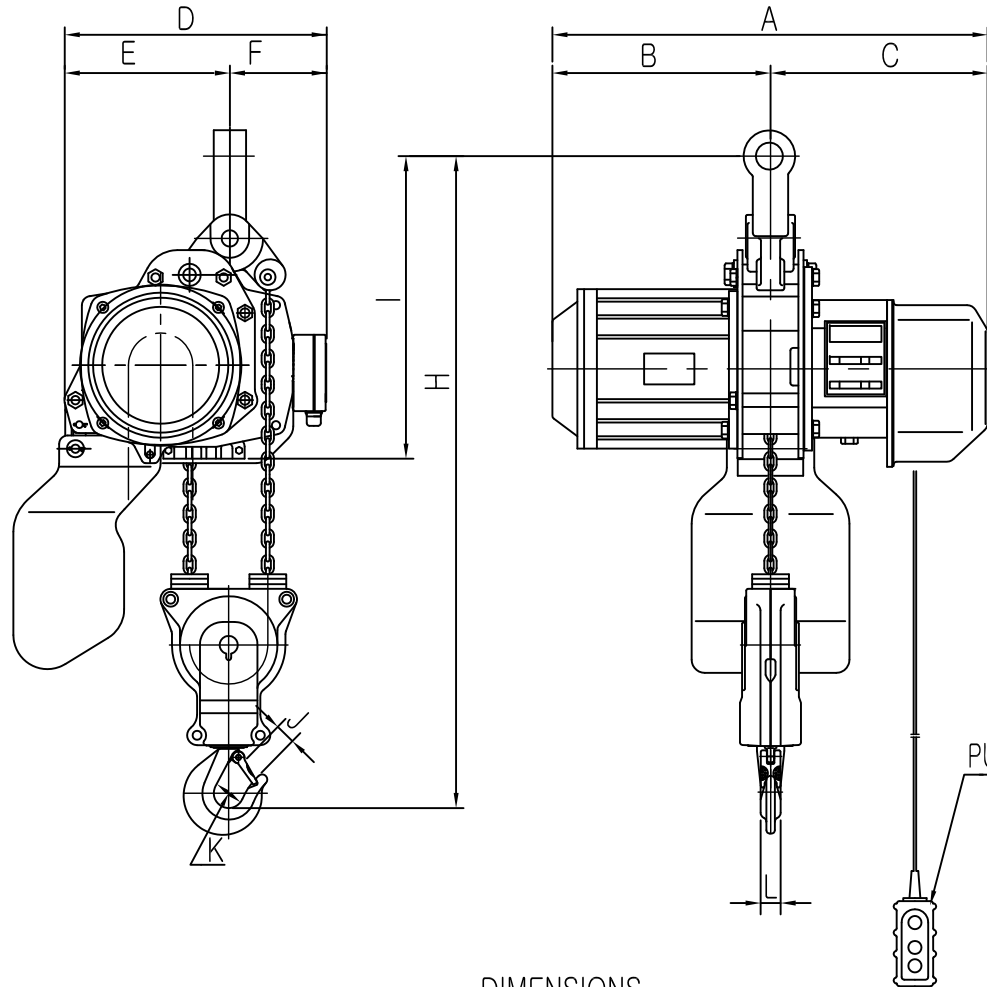


ON 9MD

L K HOIST

NO	DESCRIPTION	SIZE	MAT' L	Q' TY	WT (kg)	REMARKS



제조일 : 0000-00-00
 형식번호 : 00-000-00
 정격하중 : 00-000-00
 제조자 : (주)LK

SPECIFICATION

		LDS-2.8W
RATED LOAD	(TON)	2.8
TESTING LOAD	(TON)	3.5
LIFTING HEIGHT	(M)	50
HOISTING	SPEED (M/MIN)	3.1
	MOTOR (KW)	2.0 x 4p
WEIGHT	(KG)	199
POWER SUPPLY	AC220.380.440.460,480V x3φ x 60 Hz	
OPERATING METHOD	P.B type ON , FL	
LOAD CHAIN	φ8 X 24 (2FALL)	

DIMENSIONS

MODEL	CAPACITY (ton)	A	B	C	D	E	F	H	I	J	K	L
LDS-2.8W	2.8	525	252	273	336	181	155	698	455	53	60	35

NOTE)

- 1)점검 설비를 갖출 것
- 2)인허가 서류를 완성검사시 제출 할 것

TITLE				PROJECTION	
CHAIN HOIST LDS-2.8W					
WORK NO	WORK NAME			SCALE	Q' TY
	CONNECTOR TYPE			N S	1
DRAWN	CHECKED	REVIEWED	APPROVED	DRAWING NO	
김창기					
2010.07.15					

REV.NO	DATE	REVISION	DESCRIPTION	DRAWN	CHECKED	APPROVED

ON 9MG

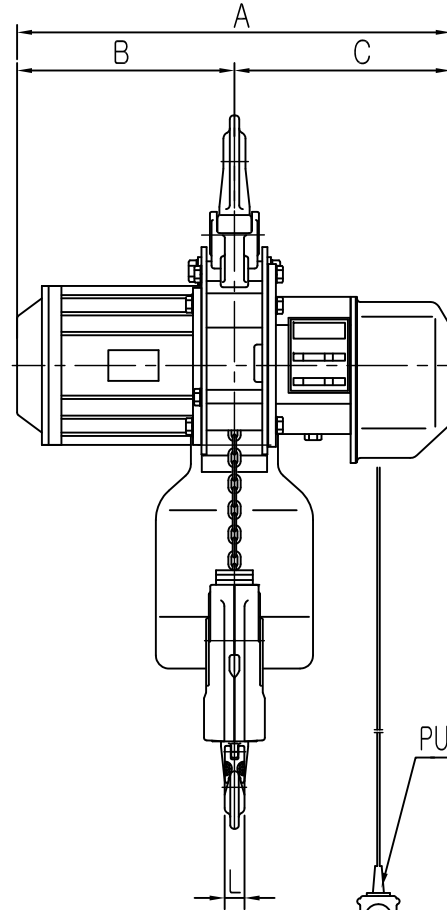
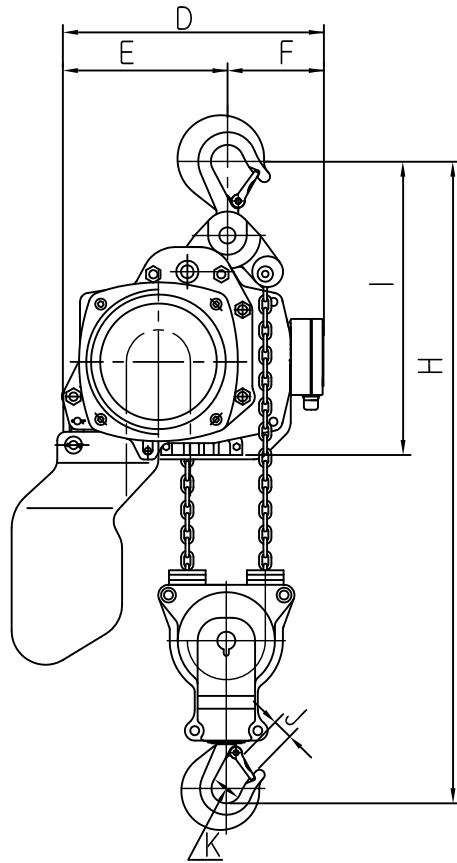
L K HOIST

NO	DESCRIPTION	SIZE	MAT'L	Q'TY	WT (kg)	REMARKS

제조일 : 0000-00-00
 형식번호 : 00-000-00
 정격하중 : 00-000-00
 제조자 : (주)LK

SPECIFICATION

		LDS-2.8W
RATED LOAD	(TON)	2.8
TESTING LOAD	(TON)	3.5
LIFTING HEIGHT	(M)	50
HOISTING	SPEED (M/MIN)	3.1
	MOTOR (KW)	2.0 x 4p
WEIGHT	(KG)	199
POWER SUPPLY	AC220.380.440.460,480V x3ø x 60 Hz	
OPERATING METHOD	P.B type ON . FL	
LOAD CHAIN	ø8 X 24 (2FALL)	



PUSH BUTTON 2POINT

DIMENSIONS

MODEL	CAPACITY (ton)	A	B	C	D	E	F	H	I	J	K	L
LDS-2.8W	2.8	525	252	273	336	181	155	698	455	53	60	35

NOTE

- 1) 점검 설비를 갖출 것
- 2) 인허가 서류를 완성검사시 제출 할 것

TITLE					PROJECTION	
ELECTRIC CHAIN HOIST LDS-2.8W						
WORK NO	WORK NAME				SCALE	Q'TY
	HOOK TYPE				N S	1
DRAWN	CHECKED	REVIEWED	APPROVED	DRAWING NO		
김창기						
2010.07.15						

REV.NO	DATE	REVISION	DESCRIPTION	DRAWN	CHECKED	APPROVED

ON 9MG

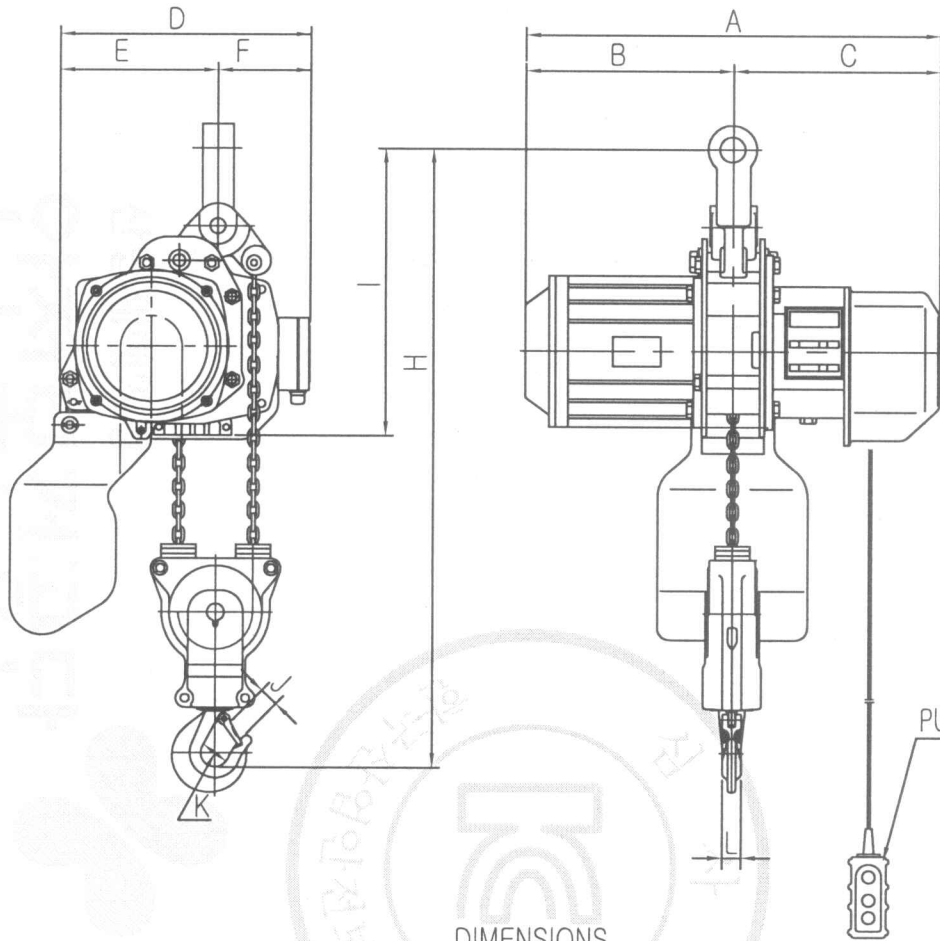
L K HOIST

NO	DESCRIPTION	SIZE	MAT L	Q' TY	WT (kg)	REMARKS

제조일 : 0000-00-00
 형식번호 : 00-000-00
 정격하중 : 00-000-00
 제조자 : (주)LK

SPECIFICATION

		LDS-2.8W
RATED LOAD	(TON)	2.8
TESTING LOAD	(TON)	3.5
LIFTING HEIGHT	(M)	50
HOISTING	SPEED (M/MIN)	3.1
	MOTOR (KW)	2.0 x 4p
WEIGHT	(KG)	199
POWER SUPPLY	AC220.380.440.460,480V x3ø x 60 Hz	
OPERATING METHOD	P.B type ON . FL	
LOAD CHAIN	ø8 X 24 (2FALL)	



DIMENSIONS

MODEL	CAPACITY (ton)	A	B	C	D	E	F	H	I	J	K	L
LDS-2.8W	2.8	525	252	273	336	181	155	698	455	53	60	35

NOTE)

- 1)점검 설비를 갖출 것
- 2)인허가 서류를 완성검사시 제출 할 것

TITLE				PROJECTION	
CHAIN HOIST LDS-2.8W					
WORK NO	WORK NAME			SCALE	Q' TY
	CONNECTOR TYPE			N S	1
DRAWN	CHECKED	REVIEWED	APPROVED	DRAWING NO	
김창기					
2010.07.15					

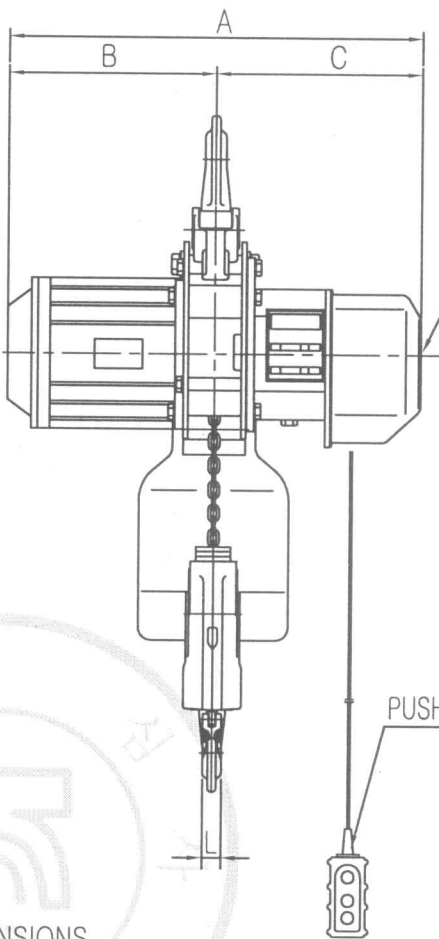
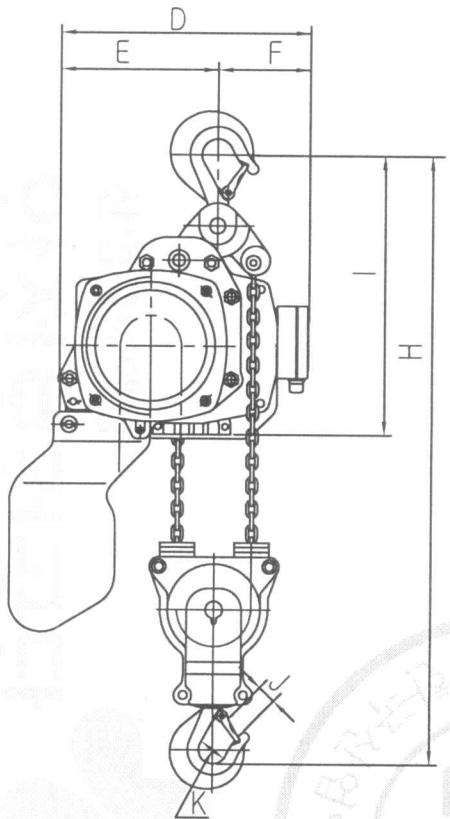
REV.NO	DATE	REVISION DESCRIPTION	DRAWN	CHECKED	APPROVED

물범복제 및 배포금지

ON 3MD

L K HOIST

NO	DESCRIPTION	SIZE	MAT' L	Q' TY	WT (kg)	REMARKS



제조일 : 0000-00-00
 형식번호 : 00-000-00
 정격하중 : 00-000-00
 제조자 : (주)LK

SPECIFICATION

		LDS-2.8W
RATED LOAD	(TON)	2.8
TESTING LOAD	(TON)	3.5
LIFTING HEIGHT	(M)	50
HOISTING	SPEED (M/MIN)	3.1
	MOTOR (KW)	2.0 x 4p
WEIGHT	(KG)	199
POWER SUPPLY	AC220.380.440.460.480V x3φ x 60 Hz	
OPERATING METHOD	P.B type ON . FL	
LOAD CHAIN	φ8 X 24 (2FALL)	

DIMENSIONS

MODEL	CAPACITY (ton)	A	B	C	D	E	F	H	I	J	K	L
LDS-2.8W	2.8	525	252	273	336	181	155	698	455	53	60	35

NOTE

- 1)점검 설비를 갖출 것
- 2)인허가 서류를 완성검사시 제출 할 것

REV.NO	DATE	REVISION	DESCRIPTION	DRAWN	CHECKED	APPROVED

TITLE				ELECTRIC CHAIN HOIST LDS-2.8W		PROJECTION	
WORK NO		WORK NAME		HOOK TYPE		SCALE	
						N S 1	
DRAWN		CHECKED		REVIEWED		APPROVED	
DRAWING NO							
2010.07.15							

물범복제 및 배포금지