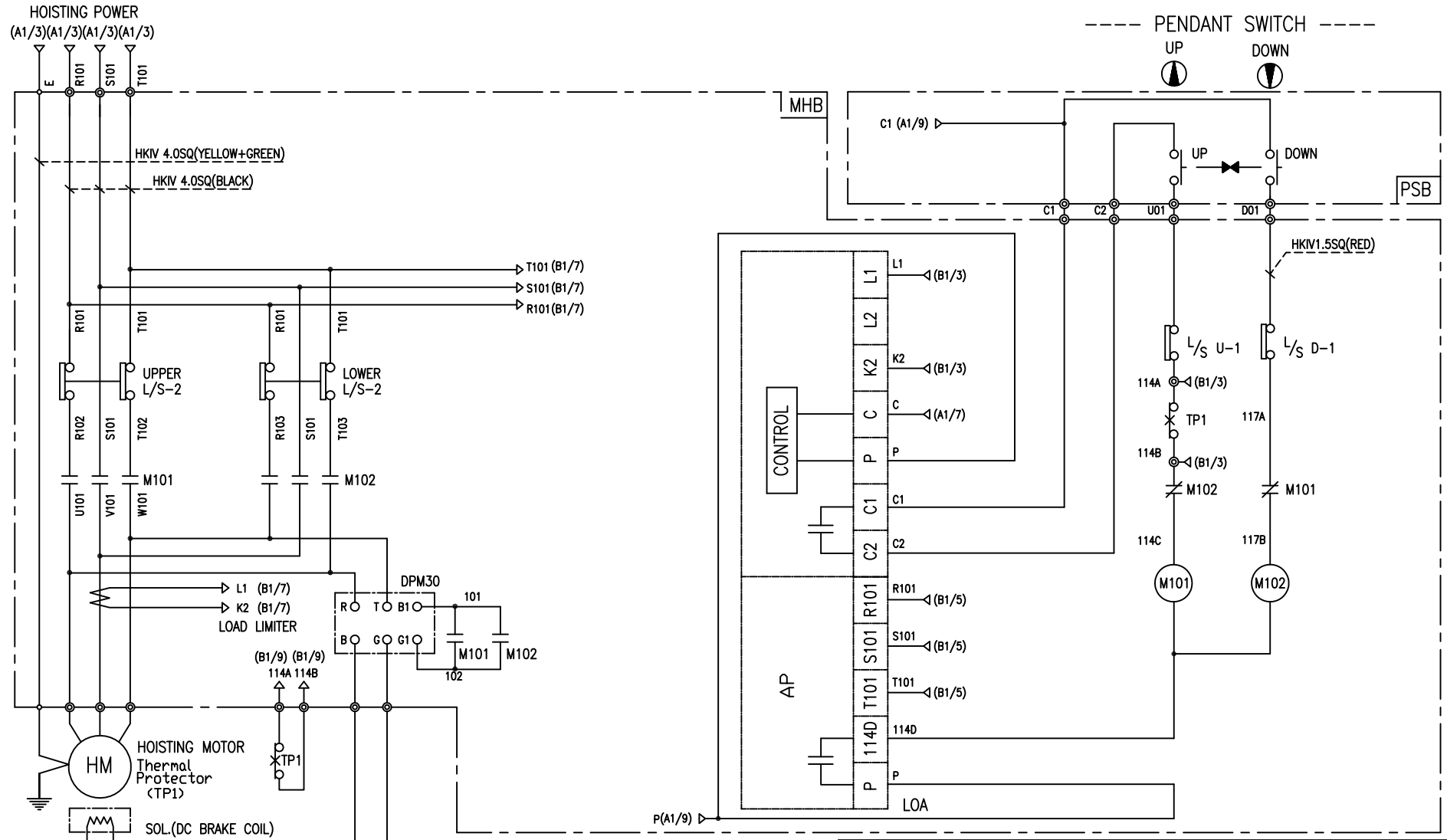


| SPECIFICATION | NO FUSE BREAKER | MAGNET CONTACT | TRANSFORMER | FUZE | | |
|---------------|-----------------|----------------|-------------|---------------|------|----|
| SYMBOLS | MCCBO | M0 | TR10 | F11, F12, F21 | | |
| DESCRIPTION | 220V | 30A | GMC22 | DMC-22 | 60VA | 1A |
| | 380V | 20A | | | | |
| | 440V | 20A | | | | |
| | 460V | 20A | | | | |
| | 480V | 20A | | | | |
| MAKER | LS | LS | DONGA | YEONG DONG | - | |

| | | | | | | | |
|---|---------|-----------------|----------|---------|----|----------------|------------|
| TITLE MAIN POWER & CONTROL CIRCUIT DIAGRAM | | | | | | PROJECTION | |
| WORK NO 601 | | WORK NAME DA | | | | SCALE N/S | Q' TY 1 |
| DRAWN LEE.G.H | CHECKED | REVIEWED | APPROVED | MODEL | DA | | |
| 2010.07.30 | | | | CODE NO | | | |
| L K HOIST CO., LTD. | | | | | | | |



-NOTE-
 1. : Mechanical Interlock

| | | | | | | | | | |
|---------------|----------------|--------------|-------------------|------------|--------|--------|-------------------|-------------|------------|
| SPECIFICATION | MAGNET CONTACT | LOAD LIMITER | SILICON RECTIFIER | | | | Thermal Protector | HOIST MOTOR | |
| SYMBOLS | M101, M102 | LOA | DPM30 | | | | TP1 | HM | |
| DESCRIPTION | DMC-22 | GMC-22 | LKDL-60A | AC220V | AC440V | AC460V | AC480V | 17AM032 | 3.5Kw * 4P |
| | | | | DC99V | DC198V | DC207V | DC216V | | |
| MAKER | DONG-A | LS | YANG YEONG | YANG YEONG | | | Texas Instruments | LK | |

| | | | | | | | |
|--|-----------|----------|----------|---------|----|----------------|-------|
| TITLE HOIST POWER & CONTROL CIRCUIT DIAGRAM | | | | | | PROJECTION | |
| WORK NO | WORK NAME | | | | | SCALE | Q' TY |
| 602 | DA | | | | | N/S | 1 |
| 220V, 440V, 460V, 480V | | | | | | | |
| DRAWN | CHECKED | REVIEWED | APPROVED | MODEL | DA | | |
| LEE.G.H | | | | CODE NO | | | |
| 2010.07.30 | | | | | | | |
| L K HOIST CO., LTD. | | | | | | | |

SCHEDULE OF TECHNICAL DATA

| | |
|---|-----------------------------|
| 1. SERVICE | HOISTING |
| 2. MANUFACTURE | LK HOIST CO. LTD |
| 3. MOTOR MODEL NO | 3.5 - 4 - 46 |
| 4. RATED POWER | 3.5 KW × 4 P |
| 5. RATED VOLTAGE AND FREQUENCY | 460 V 60HZ |
| 6. MOTOR TYPE | SQUIRREL CAGE ROTOR TYPE |
| 7. RATING | 30 MIN |
| 8. LOCATION | IN-DOOR , OUTDOOR |
| 9. INSULATION CLASS | B |
| 10. DESIGN TEMPERATURE RISE (BY RESISTANCE) | 80℃ |
| 11. FULL LOAD SPEED | 1740 RPM |
| 12. FULL LOAD CURRENT | 8.2 A |
| 13. STARTING CURRENT AT RATED VOLTAGE | 39.6 A |
| 14. MINIMUM STARTING VOLTAGE | 414 V |
| 15. EFFICIENCY AT 100% RATED LOAD | 73.4 % |
| 16. POWER FACTOR AT 100% RATED LOAD | 73.0 % |
| 17. STARTING TORQUE | 245 % |
| 18. TYPE OF ENCLOSURE | 전폐형(IP-54) |
| 19. TYPE OF BEARING | PL : 6205DD OPL : 6008ZZ |
| 20. MOUNTING | VERTICAL |
| 21. MAXIMUM AMBIENT TEMPURE | 40℃ |
| 22. BEARING LUBRICATION | GREASE |
| 23. STARTING METHOD | FULL VOLTAGE |