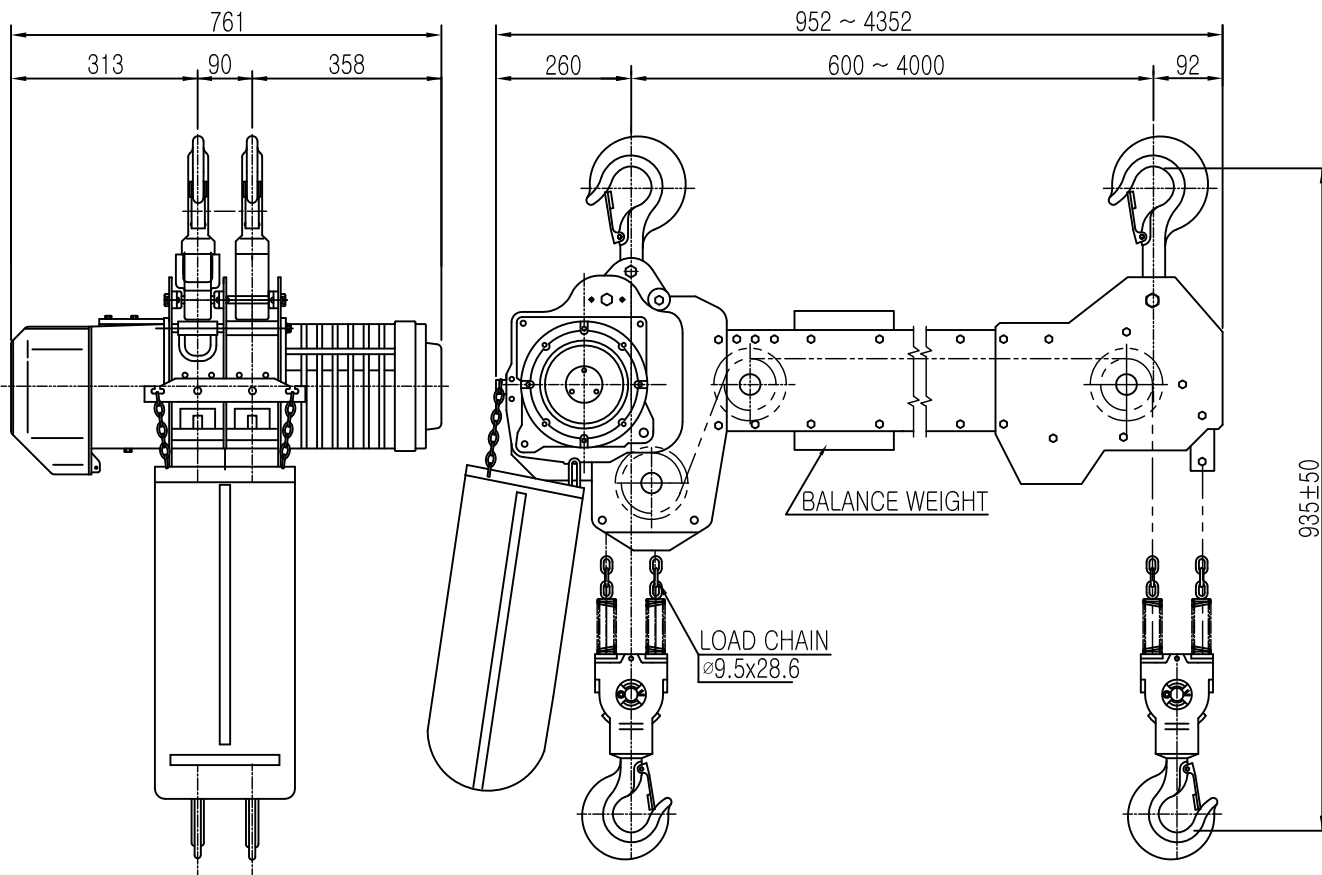


ON OMD

# L K HOIST

NO	DESCRIPTION	SIZE	MAT' L	Q' TY	WT (kg)	REMARKS



SPECIFICATION		
RATED	2.8	TON
TESTING LOAD	3.5	TON
LIFTING HEIGHT	50	M
HOISTING	SPEED	5.15 M/MIN
	MOTOR	3.5 KW x 4P
TRAVERSING	SPEED	-
	MOTOR	-
POWER SUPPLY	AC220,380,440,460,480 V x 3∅ x 60 Hz	
OPERATING METHOD	P.B type ON . FL	
LOAD CHAIN	∅9.5 x 28.6 (2FALL)	
WIEGHT	790 KG	

NOTE)

- 1) 점검 설비를 갖출것.
- 2) 인허가 서류를 완성검사시 제출할것.

REV.NO	DATE	REVISION	DESCRIPTION	DRAWN	CHECKED	APPROVED

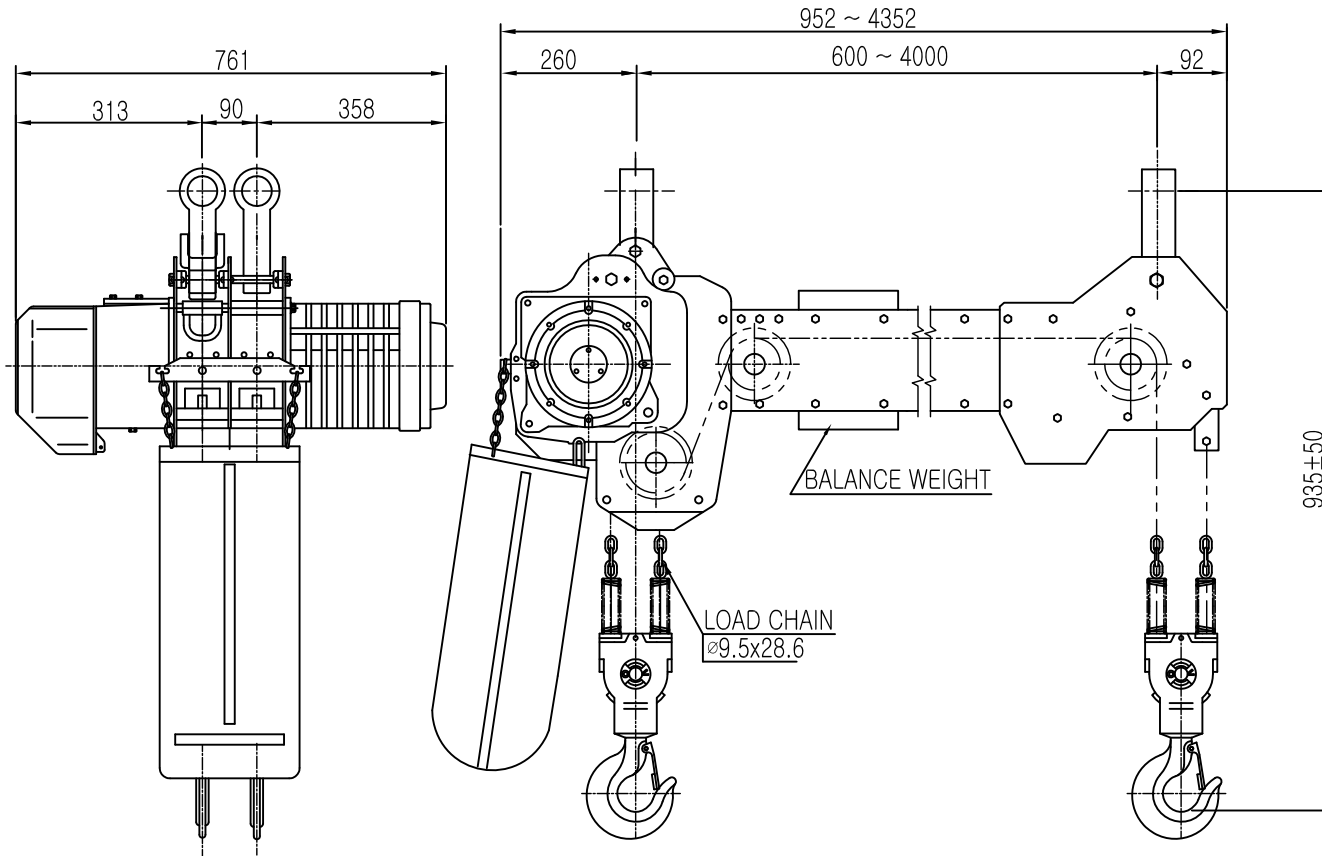
TITLE					PROJECTION	
DHDA-2.8W ELECTRIC CHAIN HOIST						
WORK NO	WORK NAME		HOOK TYPE		SCALE	Q' TY
					N.S	1
DRAWN	CHECKED	REVIEWED	APPROVED	DRAWING NO		
김 창 기				CORD NO		
2010.08.01						

**LK** L K HOIST CO., LTD.

ON 5MG

# L K HOIST

NO	DESCRIPTION	SIZE	MAT' L	Q' TY	WT (kg)	REMARKS



SPECIFICATION		
RATED	2.8	TON
TESTING LOAD	3.5	TON
LIFTING HEIGHT	50	M
HOISTING	SPEED	5.15 M/MIN
	MOTOR	3.5 KW x 4P
TRAVERSING	SPEED	-
	MOTOR	-
POWER SUPPLY	AC220,380,440,460,480 V x 3ø x 60 Hz	
OPERATING METHOD	P.B type ON . FL	
LOAD CHAIN	ø9.5 x 28.6 (2FALL)	
WIEGHT	790 KG	

NOTE)

- 1) 점검 설비를 갖출것.
- 2) 인허가 서류를 완성검사시 제출할것.

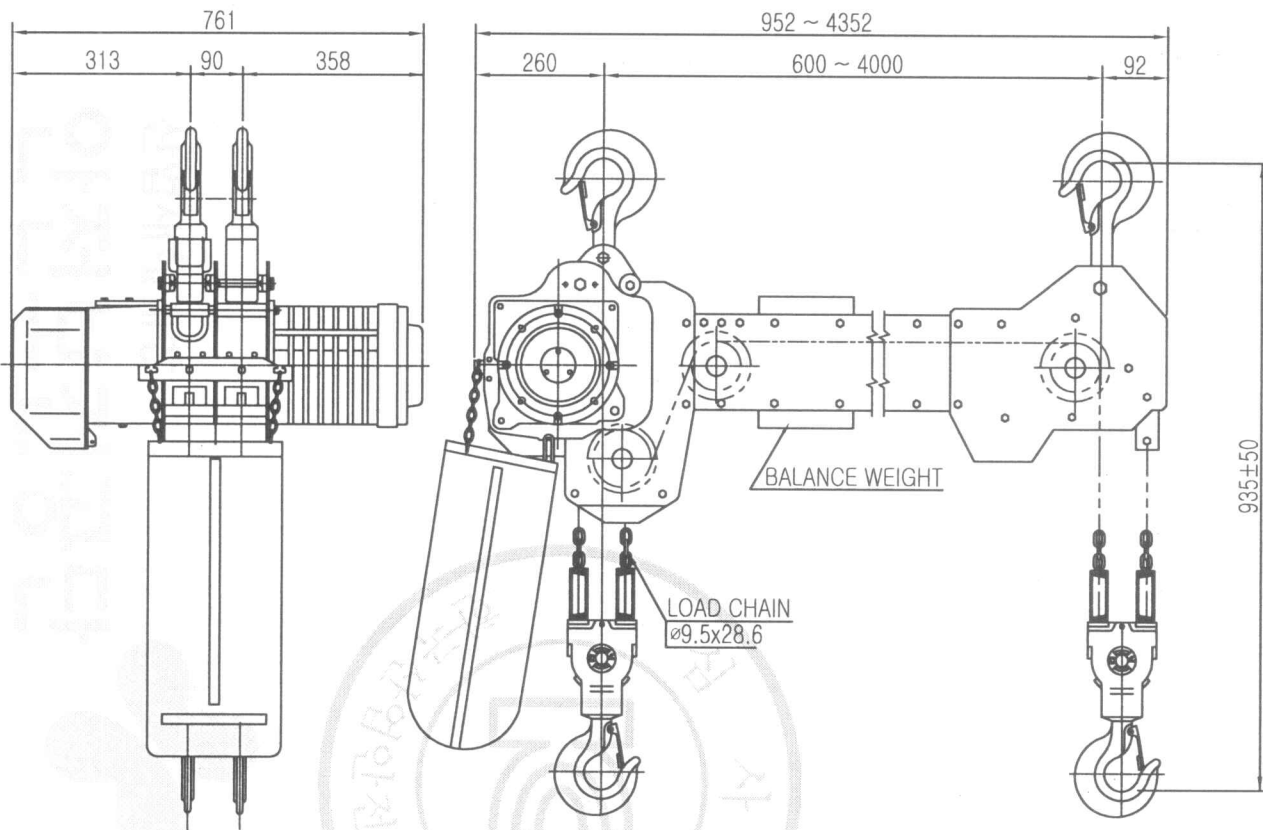
TITLE					PROJECTION	
DHDA-2.8W ELECTRIC CHAIN HOIST						
WORK NO	WORK NAME		CONNECTOR TYPE		SCALE	Q' TY
					N.S	1
DRAWN	CHECKED	REVIEWED	APPROVED	DRAWING NO	CORD NO	
김 창 기						
2010.08.01						
L K HOIST CO., LTD.						

REV.NO	DATE	REVISION	DESCRIPTION	DRAWN	CHECKED	APPROVED

ON ㉔MD

# L K HOIST

NO	DESCRIPTION	SIZE	MAT L	Q' TY	WT (kg)	REMARKS



SPECIFICATION		
RATED	2.8	TON
TESTING LOAD	3.5	TON
LIFTING HEIGHT	50	M
HOISTING	SPEED	5.15 M/MIN
	MOTOR	3.5 KW x 4P
TRAVERSING	SPEED	-
	MOTOR	-
POWER SUPPLY	AC220,380,440,460,480 V x 3ø x 60 Hz	
OPERATING METHOD	P.B type ON . FL	
LOAD CHAIN	ø9.5 x 28.6 (2FALL)	
WIEGHT	790 KG	

NOTE)

- 1) 점검 설비를 갖출것.
- 2) 인허가 서류를 완성검사시 제출할것.

물범복제 및 배포금지

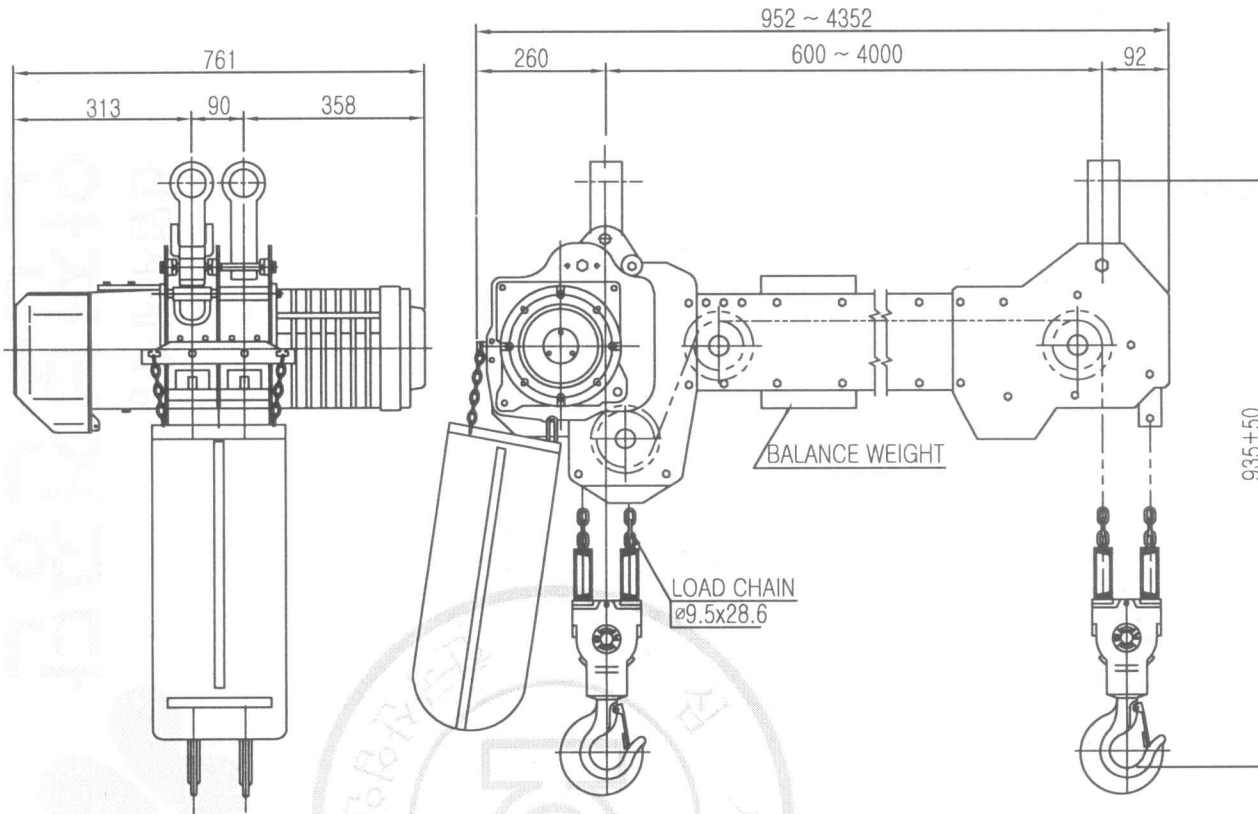
REV.NO	DATE	REVISION	DESCRIPTION	DRAWN	CHECKED	APPROVED

TITLE					PROJECTION	
DHDA-2.8W ELECTRIC CHAIN HOIST						
WORK NO	WORK NAME				SCALE	Q' TY
	HOOK TYPE				N.S	1
DRAWN	CHECKED	REVIEWED	APPROVED	DRAWING NO		
김 창 기				CORD NO		
2010.08.01						

# L K HOIST

ON 3MG

NO	DESCRIPTION	SIZE	MAT L	Q' TY	WT (kg)	REMARKS



SPECIFICATION	
RATED	2.8 TON
TESTING LOAD	3.5 TON
LIFTING HEIGHT	50 M
HOISTING	SPEED 5.15 M/MIN
	MOTOR 3.5 KW x 4P
TRAVERSING	SPEED -
	MOTOR -
POWER SUPPLY	AC220,380,440,460,480 V x 3ø x 60 Hz
OPERATING METHOD	P.B type ON . FL
LOAD CHAIN	ø9.5 x 28.6 (2FALL)
WIEGHT	790 KG

NOTE

- 1) 점검 설비를 갖출것.
- 2) 인허가 서류를 완성검사시 제출할것.

물범복제 및 배포금지

REV.NO	DATE	REVISION DESCRIPTION	DRAWN	CHECKED	APPROVED

TITLE					PROJECTION	
DHDA-2.8W ELECTRIC CHAIN HOIST						
WORK NO	WORK NAME				SCALE	Q' TY
	CONNECTOR TYPE				N.S	1
DRAWN	CHECKED	REVIEWED	APPROVED	DRAWING NO		
김 창 기				CORD NO		
2010.08.01						