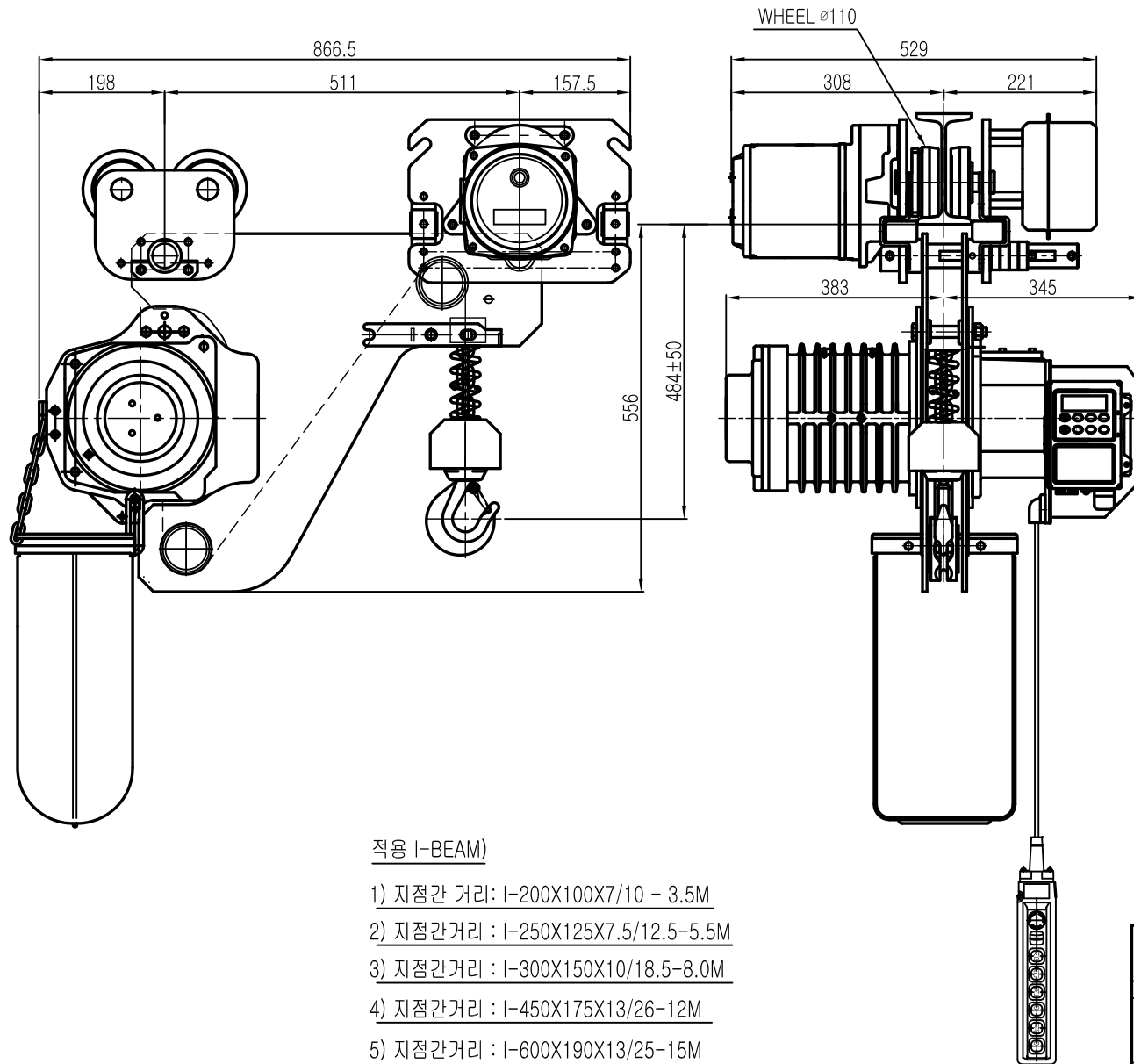


ON 5MG

# L K HOIST

NO	DESCRIPTION	SIZE	MAT' L	Q' TY	WT (kg)	REMARKS
----	-------------	------	--------	-------	---------	---------



## SPECIFICATION

		LK-SHDBM-1.5S		
RATED LOAD	(TON)	1.5		
TESTING LOAD	(TON)	1.875		
LIFTING HEIGHT	(M)	50		
HOISTING	SPEED (M/MIN)	10.3/3.4		
	MOTOR (KW)	4.4/2.2kw x 2/6p		
TRAVERSING	SPEED (M/MIN)	21	14	21/7
	MOTOR (KW)	0.75kw x 4p	0.4kw x 6p	0.75/0.25kw x 4/12p
POWER SUPPLY	AC220,380,440,460,480Vx3ø x 60 Hz			
OPERATING METHOD	P.B type ON . FL			
LOAD CHAIN	ø9.5 X 28.6 (1FALL)			
WEIGHT	(KG)	338		
I-BEAM 적용폭	100 ~ 190MM			

NOTE)

- 1)점검 설비를 갖출 것
- 2)인허가 서류를 완성검사시 제출 할 것

적용 I-BEAM)

- 1) 지점간 거리: I-200X100X7/10 - 3.5M
- 2) 지점간거리 : I-250X125X7.5/12.5-5.5M
- 3) 지점간거리 : I-300X150X10/18.5-8.0M
- 4) 지점간거리 : I-450X175X13/26-12M
- 5) 지점간거리 : I-600X190X13/25-15M

TITLE		ELECTRIC CHAIN HOIST			PROJECTION	
WORK NO	WORK NAME					
LK-SHDBM-1.5S						
		SCALE	Q' TY			
		N S	1			
DRAWN	CHECKED	REVIEWED	APPROVED	DRAWING NO		
김 창 기				CORD NO		
2010.08.01						

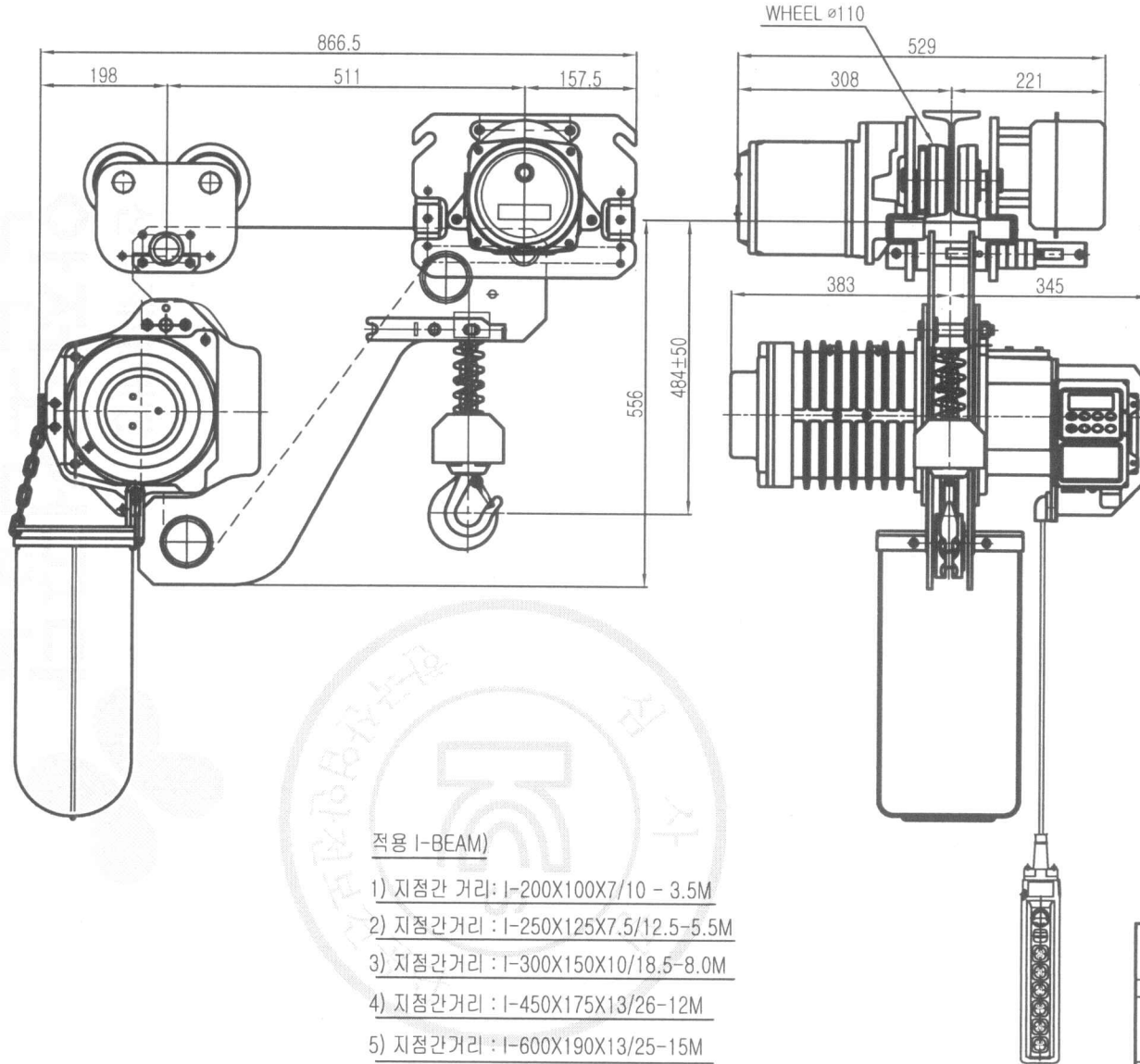
L K HOIST CO., LTD.

REV.NO	DATE	REVISION	DESCRIPTION	DRAWN	CHECKED	APPROVED
--------	------	----------	-------------	-------	---------	----------

ON GMD

# L K HOIST

NO	DESCRIPTION	SIZE	MAT L	Q' TY	WT (kg)	REMARKS



## SPECIFICATION

		LK-SHDBM-1.5S		
RATED LOAD	(TON)	1.5		
TESTING LOAD	(TON)	1.875		
LIFTING HEIGHT	(M)	50		
HOISTING	SPEED (M/MIN)	10.3/3.4		
	MOTOR (KW)	4.4/2.2kw x 2/6p		
TRAVERSING	SPEED (M/MIN)	21	14	21/7
	MOTOR (KW)	0.75kw x 4p	0.4kw x 6p	0.75/0.25kw x 4/12p
POWER SUPPLY	AC220.380.440.460.480Vx3ø x 60 Hz			
OPERATING METHOD	P.B type ON . FL			
LOAD CHAIN	ø9.5 X 28.6 (1FALL)			
WEIGHT	(KG)	338		
I-BEAM 적용폭	100 ~ 190MM			

### NOTE)

- 1)점검 설비를 갖출 것
- 2)인허가 서류를 완성검사서 제출할 것

### 적용 I-BEAM)

- 1) 지점간 거리 : I-200X100X7/10 - 3.5M
- 2) 지점간거리 : I-250X125X7.5/12.5-5.5M
- 3) 지점간거리 : I-300X150X10/18.5-8.0M
- 4) 지점간거리 : I-450X175X13/26-12M
- 5) 지점간거리 : I-600X190X13/25-15M

REV.NO	DATE	REVISION	DESCRIPTION	DRAWN	CHECKED	APPROVED

TITLE					PROJECTION	
ELECTRIC CHAIN HOIST						
WORK NO	WORK NAME				SCALE	Q' TY
	LK-SHDBM-1.5S				N S	1
DRAWN	CHECKED	REVIEWED	APPROVED	DRAWING NO		
김창기				CORD NO		
2010.08.01						
L K HOIST CO., LTD.						

물범복제 및 배포금지