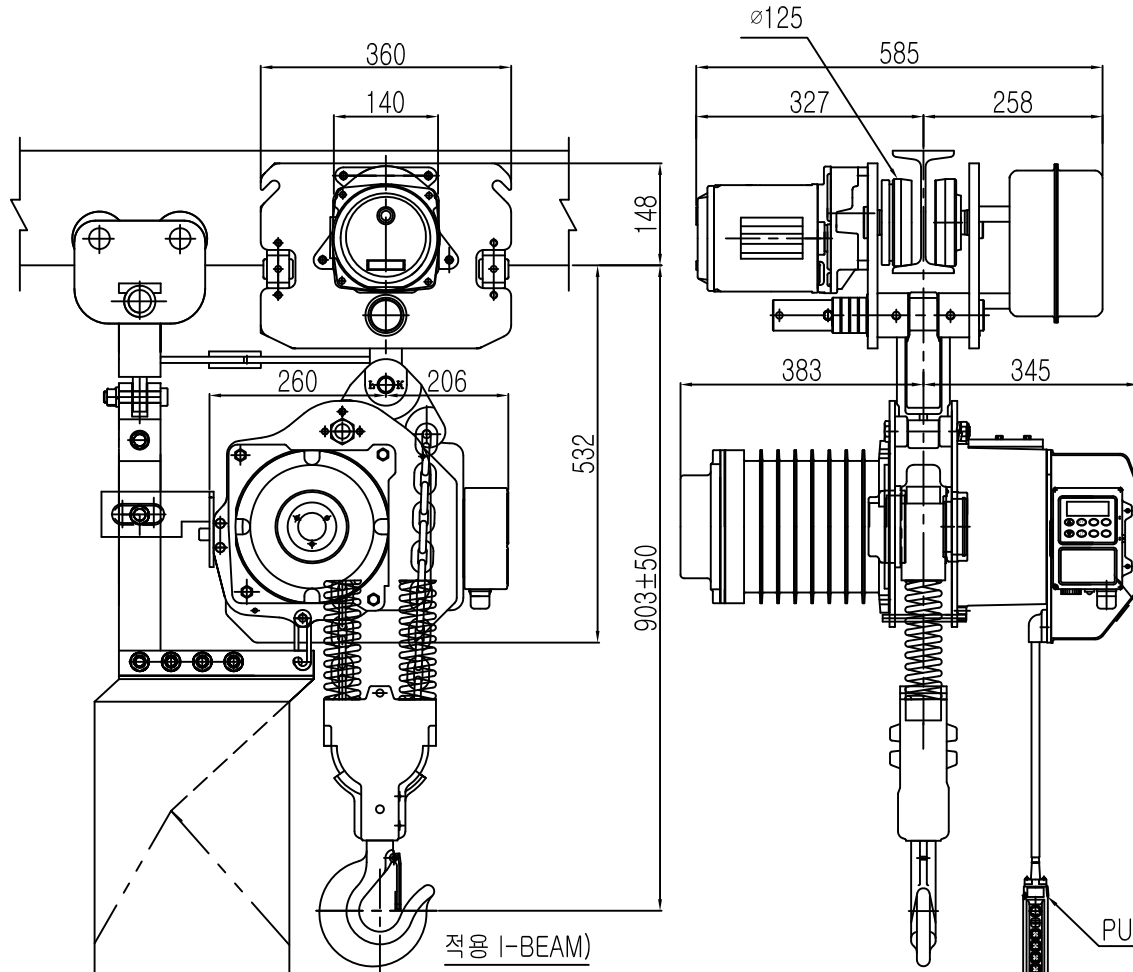


L K HOIST

NO	DESCRIPTION	SIZE	MAT L	Q' TY	WT (kg)	REMARKS



SPECIFICATION

		LK-DBM-3W			
RATED LOAD	(TON)	3.0			
TESTING LOAD	(TON)	3.75			
LIFTING HEIGHT	(M)	50			
HOISTING	SPEED (M/MIN)	5.15/1.7			
	MOTOR (KW)	4.4/2.2kw x 2/6p			
TRAVERSING	SPEED (M/MIN)	20	14	20/7	
	MOTOR (KW)	0.75kw x 4p	0.4kw x 6p	0.75/0.25kw x 4/12p	
POWER SUPPLY	AC220.380.440.460.480Vx3φ x 60 Hz				
OPERATING METHOD	P.B type ON , FL				
LOAD CHAIN	φ9.5 X 28.6(2FALL)				
WEIGHT	(KG)	420KG			
I-BEAM 적용폭	100 ~ 190MM				

NOTE)

- 1) 점검 설비를 갖출 것
- 2) 인허가 서류를 완성검사시 제출 할 것

적용 I-BEAM)

- 1) 지점간 거리: I-200X100X7/10 - 2.0M
- 2) 지점간거리 : I-250X125X7.5/12.5-4.0M
- 3) 지점간거리 : I-300X150X10/18.5-6.0M
- 4) 지점간거리 : I-450X175X13/26-11M
- 5) 지점간거리 : I-600X190X13/25-14M

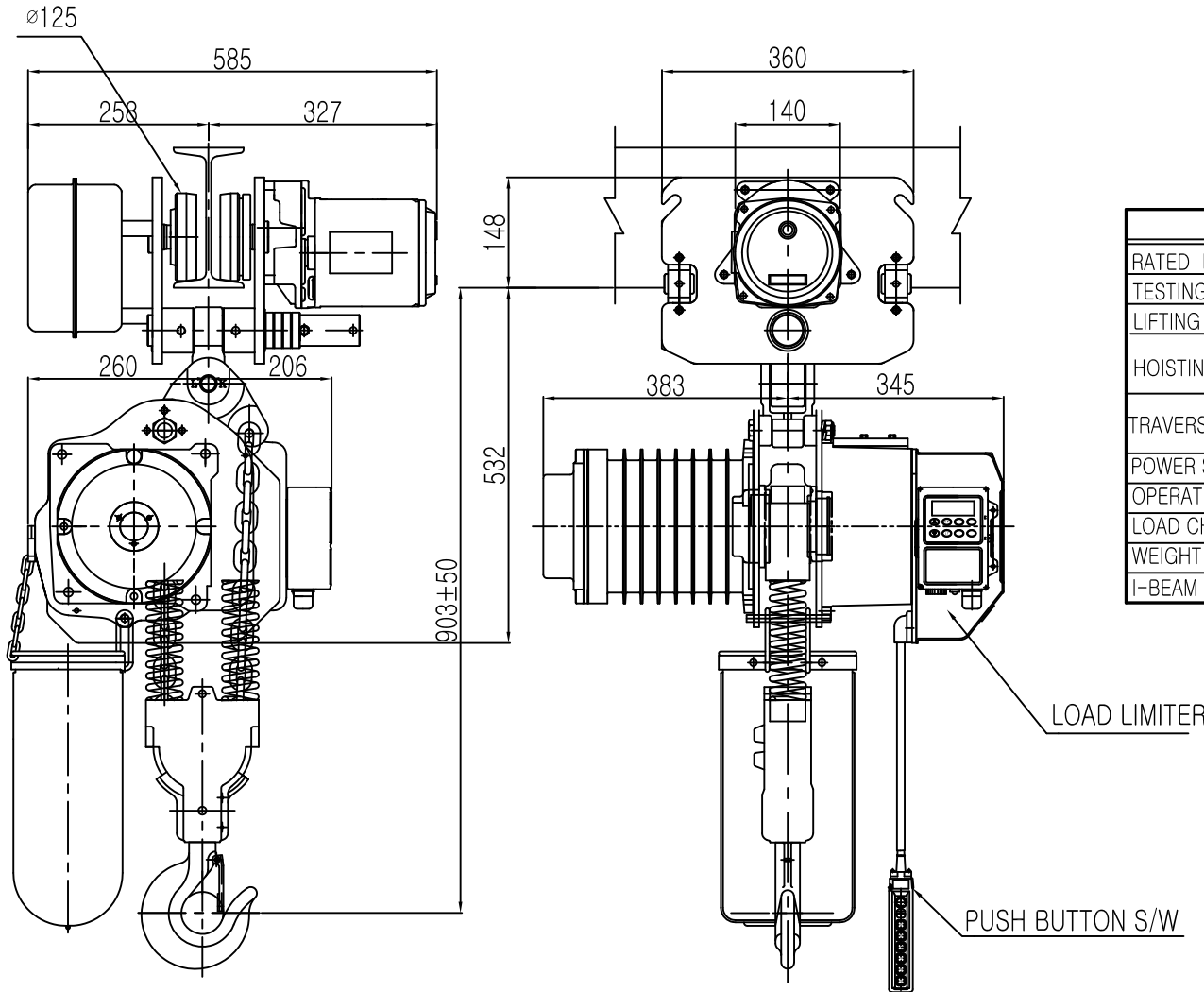
TITLE					PROJECTION	
ELECTRIC CHAIN HOIST DBM-3W						
WORK NO	WORK NAME				SCALE	Q' TY
	LK-DBM-3W					1
DRAWN	CHECKED	REVIEWED	APPROVED	DRAWING NO		
김 창 기						
2010.08.01				CODE NO		

REV.NO	DATE	REVISION	DESCRIPTION	DRAWN	CHECKED	APPROVED



L K HOIST CO., LTD.

L K HOIST



SPECIFICATION

		LK-DBM-3W		
RATED LOAD	(TON)	3.0		
TESTING LOAD	(TON)	3.75		
LIFTING HEIGHT	(M)	50		
HOISTING	SPEED (M/MIN)	5.15/1.7		
	MOTOR (KW)	4.4/2.2kw x 2/6p		
TRAVERSING	SPEED (M/MIN)	20	14	20/7
	MOTOR (KW)	0.75kw x 4p	0.4kw x 6p	0.75/0.25kw x 4/12p
POWER SUPPLY	AC220.380.440.460.480Vx3φ x 60 Hz			
OPERATING METHOD	P.B type ON . FL			
LOAD CHAIN	φ9.5 X 28.6(2FALL)			
WEIGHT	(KG)	420KG		
I-BEAM 적용폭		100 ~ 190MM		

NOTE)

- 1) 점검 설비를 갖출 것
- 2) 인허가 서류를 완성검사시 제출 할 것

적용 I-BEAM)

- 1) 지점간 거리: I-200X100X7/10 - 2.0M
- 2) 지점간거리 : I-250X125X7.5/12.5-4.0M
- 3) 지점간거리 : I-300X150X10/18.5-6.0M
- 4) 지점간거리 : I-450X175X13/26-11M
- 5) 지점간거리 : I-600X190X13/25-14M

TITLE					PROJECTION	
ELECTRIC CHAIN HOIST						
WORK NO	WORK NAME				SCALE	Q' TY
	LK-DBM-3W				N/S	1
DRAWN	CHECKED	REVIEWED	APPROVED	DRAWING NO		
김창기				CODE NO		
2010.08.01						
L K HOIST CO., LTD.						

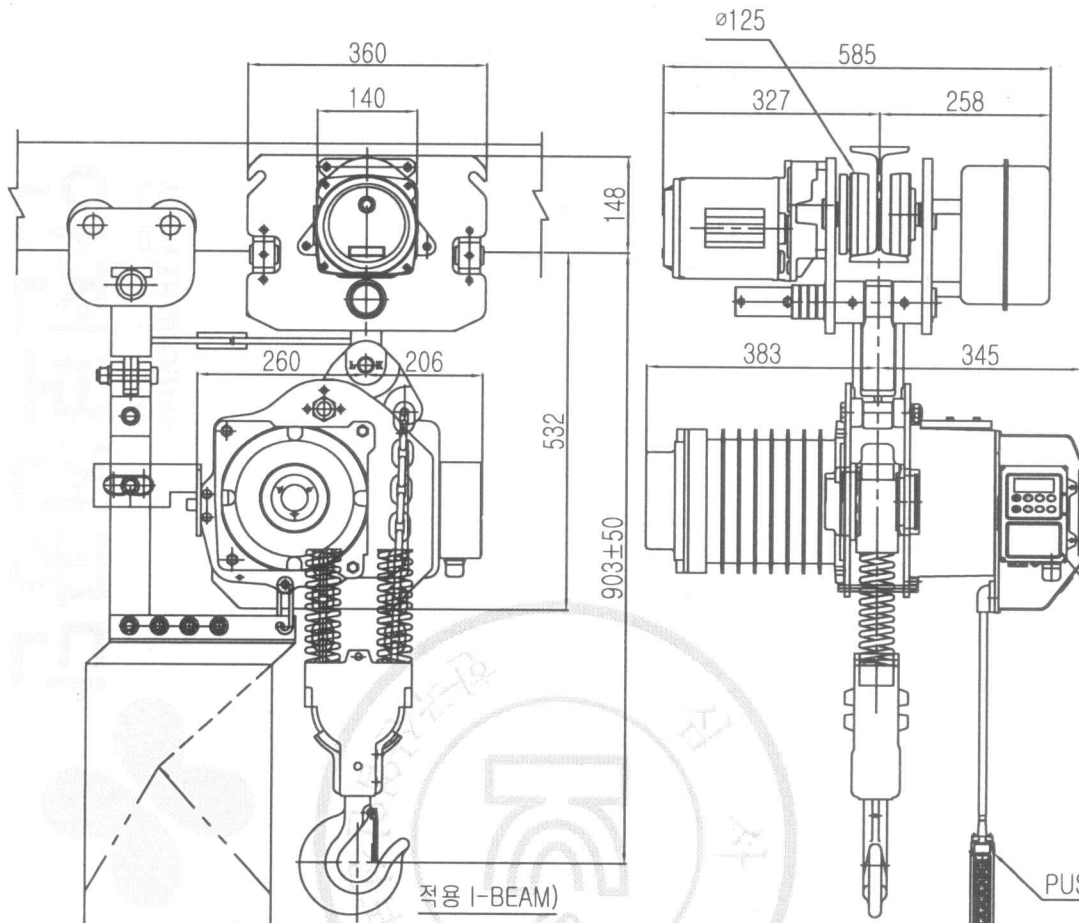
REV. NO	DATE	REVISION DESCRIPTION	DRAWN	CHECKED	APPROVED

L K HOIST

NO	DESCRIPTION	SIZE	MAT L	Q' TY	WT (kg)	REMARKS

SPECIFICATION

		LK-DBM-3W		
RATED LOAD	(TON)	3.0		
TESTING LOAD	(TON)	3.75		
LIFTING HEIGHT	(M)	50		
HOISTING	SPEED (M/MIN)	5.15/1.7		
	MOTOR (KW)	4.4/2.2kw x 2/6p		
TRAVERSING	SPEED (M/MIN)	20	14	20/7
	MOTOR (KW)	0.75kw x 4p	0.4kw x 6p	0.75/0.25kw x 4/12p
POWER SUPPLY	AC220.380.440.460.480Vx3ø x 60 Hz			
OPERATING METHOD	P.B type ON . FL			
LOAD CHAIN	ø9.5 X 28.6(2FALL)			
WEIGHT	(KG)	420KG		
I-BEAM 적용폭	100 ~ 190MM			



- 적용 I-BEAM)
- 1) 지점간 거리: I-200X100X7/10 - 2.0M
 - 2) 지점간거리: I-250X125X7.5/12.5-4.0M
 - 3) 지점간거리: I-300X150X10/18.5-6.0M
 - 4) 지점간거리: I-450X175X13/26-11M
 - 5) 지점간거리: I-600X190X13/25-14M

LOAD LIMITER

PUSH BUTTON S/W

NOTE)

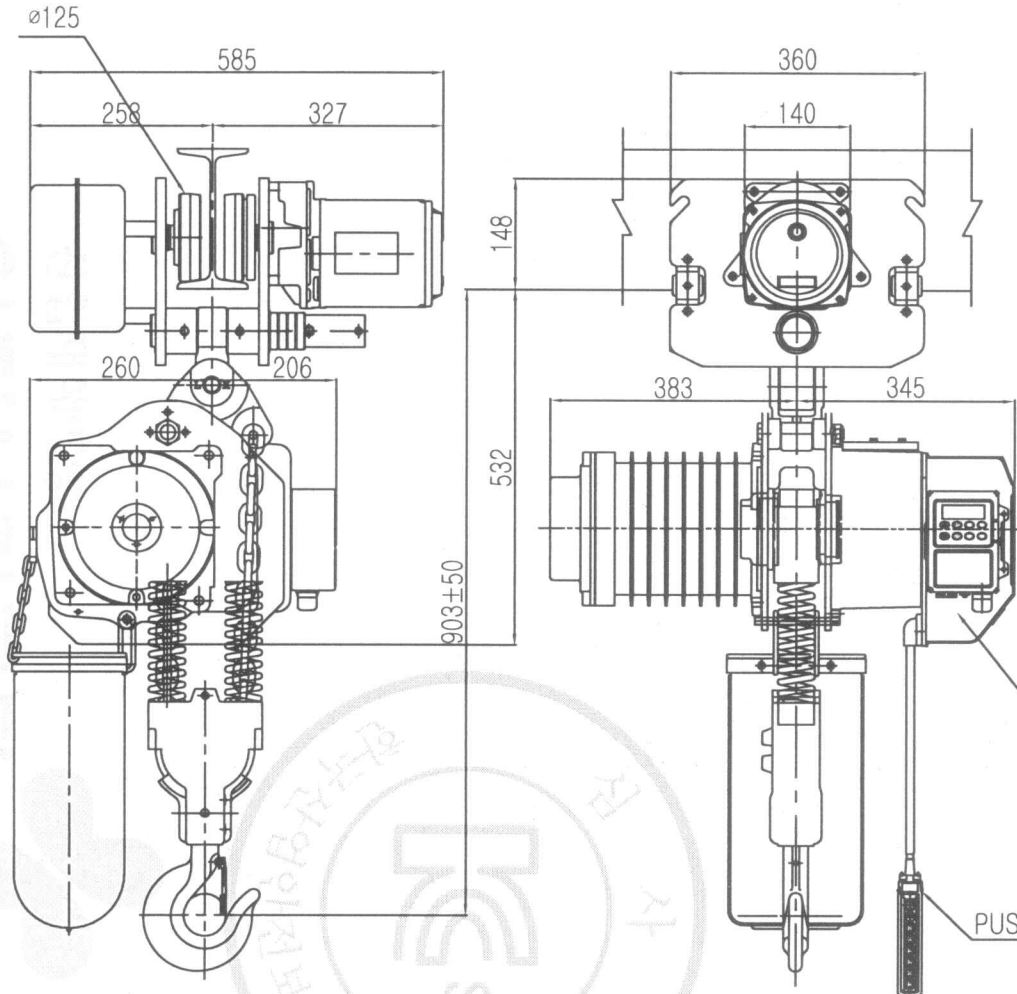
- 1)점검 설비를 갖출 것
- 2)인허가 서류를 완성검사시 제출 할 것

REV.NO	DATE	REVISION DESCRIPTION	DRAWN	CHECKED	APPROVED

TITLE					PROJECTION	
ELECTRIC CHAIN HOIST DBM-3W						
WORK NO	WORK NAME				SCALE	Q' TY
	LK-DBM-3W					1
DRAWN	CHECKED	REVIEWED	APPROVED	DRAWING NO		
김창기						
2010.08.01				CODE NO		
L K HOIST CO., LTD.						

물범복제 및 배포금지

L K HOIST



SPECIFICATION

		LK-DBM-3W		
RATED LOAD	(TON)	3.0		
TESTING LOAD	(TON)	3.75		
LIFTING HEIGHT	(M)	50		
HOISTING	SPEED (M/MIN)	5.15/1.7		
	MOTOR (KW)	4.4/2.2kw x 2/6p		
TRAVERSING	SPEED (M/MIN)	20	14	20/7
	MOTOR (KW)	0.75kw x 4p	0.4kw x 6p	0.75/0.25kw x 4/12p
POWER SUPPLY	AC220.380.440.460.480Vx3 ϕ x 60 Hz			
OPERATING METHOD	P.B type ON . FL			
LOAD CHAIN	$\phi 9.5$ X 28.6(2FALL)			
WEIGHT	(KG)	420KG		
I-BEAM 적용폭	100 ~ 190MM			

NOTE

- 1) 점검 설비를 갖출 것
- 2) 인허가 서류를 완성검사시 제출 할 것

적용 I-BEAM)

- 1) 지점간 거리: I-200X100X7/10 - 2.0M
- 2) 지점간거리 : I-250X125X7.5/12.5-4.0M
- 3) 지점간거리 : I-300X150X10/18.5-6.0M
- 4) 지점간거리 : I-450X175X13/26-11M
- 5) 지점간거리 : I-600X190X13/25-14M

REV.NO	DATE	REVISION	DESCRIPTION	DRAWN	CHECKED	APPROVED

TITLE						PROJECTION	
ELECTRIC CHAIN HOIST							
WORK NO	WORK NAME					SCALE	Q' TY
	LK-DBM-3W					N/S	1
DRAWN	CHECKED	REVIEWED	APPROVED	DRAWING NO			
김창기							
2010.08.01				CODE NO			
L K HOIST CO., LTD.							