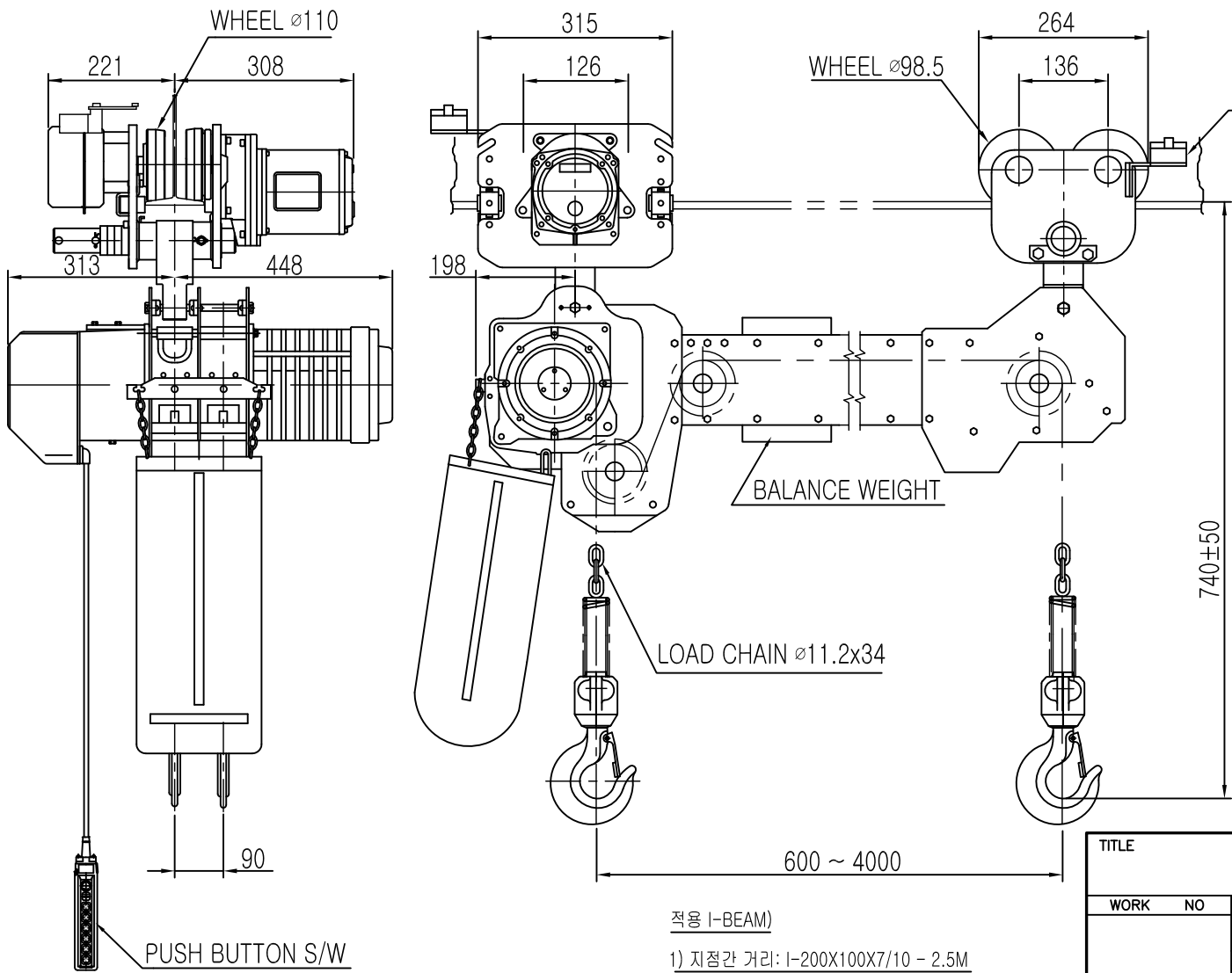


ON 9MG

L K HOIST

NO	DESCRIPTION	SIZE	MAT'L	Q'TY	WT (kg)	REMARKS



SPECIFICATION

		LK-DHDAM-1.9S	
RATED LOAD	(TON)	1.9	
TESTING LOAD	(TON)	2.375	
LIFTING HEIGHT	(M)	50	
HOISTING	SPEED (M/MIN)	8.1	
	MOTOR (KW)	3.5kw x 4p	
TRAVERSING	SPEED (M/MIN)	21	14
	MOTOR (KW)	0.75kw x 4p	0.4kw x 6p
POWER SUPPLY		AC220,380,440,460,480Vx3φ x 60 Hz	
OPERATING METHOD		P.B type ON . FL	
LOAD CHAIN		φ11.2 X 34 (1FALL)	
WEIGHT	(KG)	650	
I-BEAM 적용폭		100 ~ 190MM	

NOTE)

- 1)점검 설비를 갖출 것
- 2)인허가 서류를 완성검사시 제출 할 것

적용 I-BEAM)

- 1) 지점간 거리: I-200X100X7/10 - 2.5M
- 2) 지점간거리 : I-250X125X7.5/12.5-4.0M
- 3) 지점간거리 : I-300X150X10/18.5-7.0M
- 4) 지점간거리 : I-450X175X13/26-10M
- 5) 지점간거리 : I-600X190X13/25-15M

TITLE					ELECTRIC CHAIN HOIST		PROJECTION	
WORK NO	WORK NAME				SCALE		Q' TY	
	LK-DHDAM-1.9S				N S		1	
DRAWN	CHECKED	REVIEWED	APPROVED	DRAWING NO				
김 창 기				CORD NO				
2010.08.01								



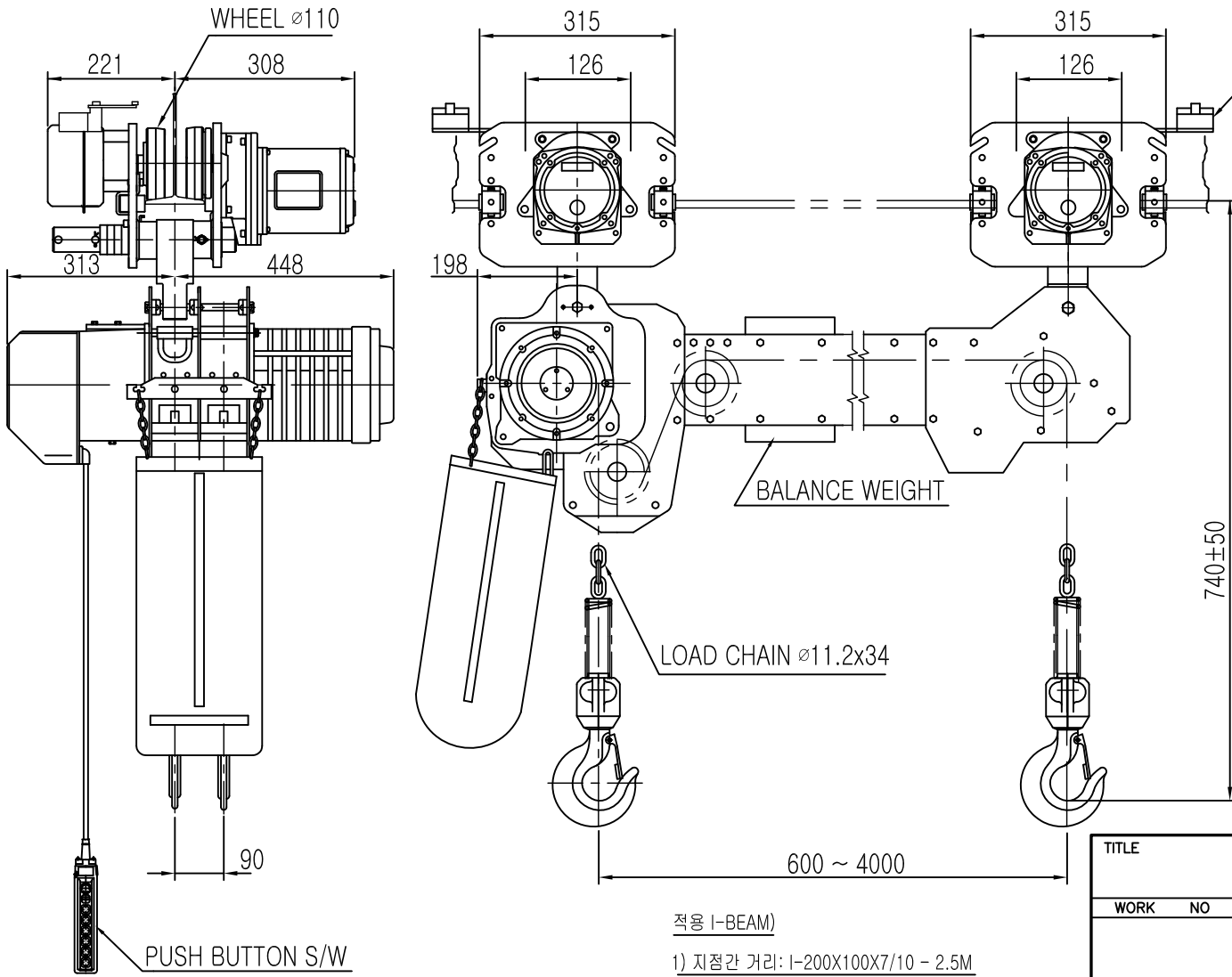
L K HOIST CO., LTD.

REV.NO	DATE	REVISION	DESCRIPTION	DRAWN	CHECKED	APPROVED

ON GMD

L K HOIST

NO	DESCRIPTION	SIZE	MAT' L	Q' TY	WT (kg)	REMARKS
----	-------------	------	--------	-------	---------	---------



SPECIFICATION

		LK-DHDAM-1.9S		
RATED LOAD	(TON)	1.9		
TESTING LOAD	(TON)	2.375		
LIFTING HEIGHT	(M)	50		
HOISTING	SPEED (M/MIN)	8.1		
	MOTOR (KW)	3.5kw x 4p		
TRAVERSING	SPEED (M/MIN)	21	14	21/7
	MOTOR (KW)	0.75kwx4p-2set	0.4kwx6p-2set	0.75/0.25kwx4/12p-2set
POWER SUPPLY	AC220,380,440,460,480Vx3ø x 60 Hz			
OPERATING METHOD	P.B type ON . FL			
LOAD CHAIN	ø11.2 X 34 (1FALL)			
WEIGHT	(KG)	650		
I-BEAM 적용폭	100 ~ 190MM			

NOTE)
 1) 점검 설비를 갖출 것
 2) 인허가 서류를 완성검사시 제출 할 것

- 적용 I-BEAM)
- 1) 지점간 거리: I-200X100X7/10 - 2.5M
 - 2) 지점간거리 : I-250X125X7.5/12.5-4.0M
 - 3) 지점간거리 : I-300X150X10/18.5-7.0M
 - 4) 지점간거리 : I-450X175X13/26-10M
 - 5) 지점간거리 : I-600X190X13/25-15M

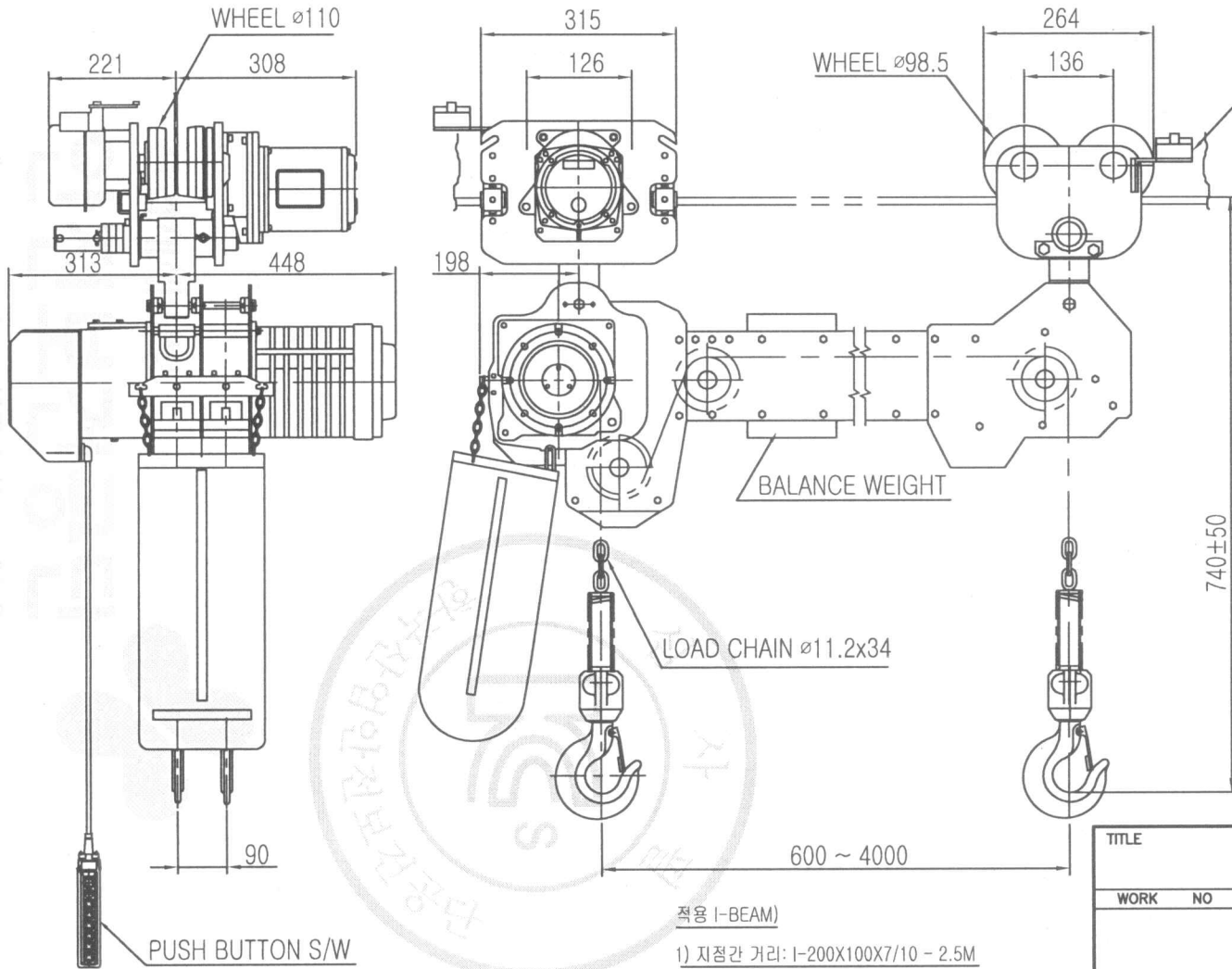
TITLE					PROJECTION	
ELECTRIC CHAIN HOIST						
WORK NO	WORK NAME				SCALE	Q' TY
	LK-DHDAM-1.9S				N S	1
DRAWN	CHECKED	REVIEWED	APPROVED	DRAWING NO		
김 창 기				CORD NO		
2010.08.01						

REV.NO	DATE	REVISION	DESCRIPTION	DRAWN	CHECKED	APPROVED
--------	------	----------	-------------	-------	---------	----------

ON GMD

L K HOIST

NO	DESCRIPTION	SIZE	MAT L	Q' TY	WT (kg)	REMARKS



SPECIFICATION

		LK-DHDAM-1.9S		
RATED LOAD	(TON)	1.9		
TESTING LOAD	(TON)	2.375		
LIFTING HEIGHT	(M)	50		
HOISTING	SPEED (M/MIN)	8.1		
	MOTOR (KW)	3.5kw x 4p		
TRAVERSING	SPEED (M/MIN)	21	14	21/7
	MOTOR (KW)	0.75kw x 4p	0.4kw x 6p	0.75/0.25kw x 4/12p
POWER SUPPLY		AC220.380.440.460.480Vx3ø x 60 Hz		
OPERATING METHOD		P.B type ON . FL		
LOAD CHAIN		ø11.2 X 34 (1FALL)		
WEIGHT	(KG)	650		
I-BEAM 적용폭		100 ~ 190MM		

NOTE)

- 1)점검 설비를 갖출 것
- 2)인허가 서류를 완성검사시 제출 할 것

적용 I-BEAM)

- 1) 지점간 거리: I-200X100X7/10 - 2.5M
- 2) 지점간거리 : I-250X125X7.5/12.5-4.0M
- 3) 지점간거리 : I-300X150X10/18.5-7.0M
- 4) 지점간거리 : I-450X175X13/26-10M
- 5) 지점간거리 : I-600X190X13/25-15M

REV.NO	DATE	REVISION	DESCRIPTION	DRAWN	CHECKED	APPROVED

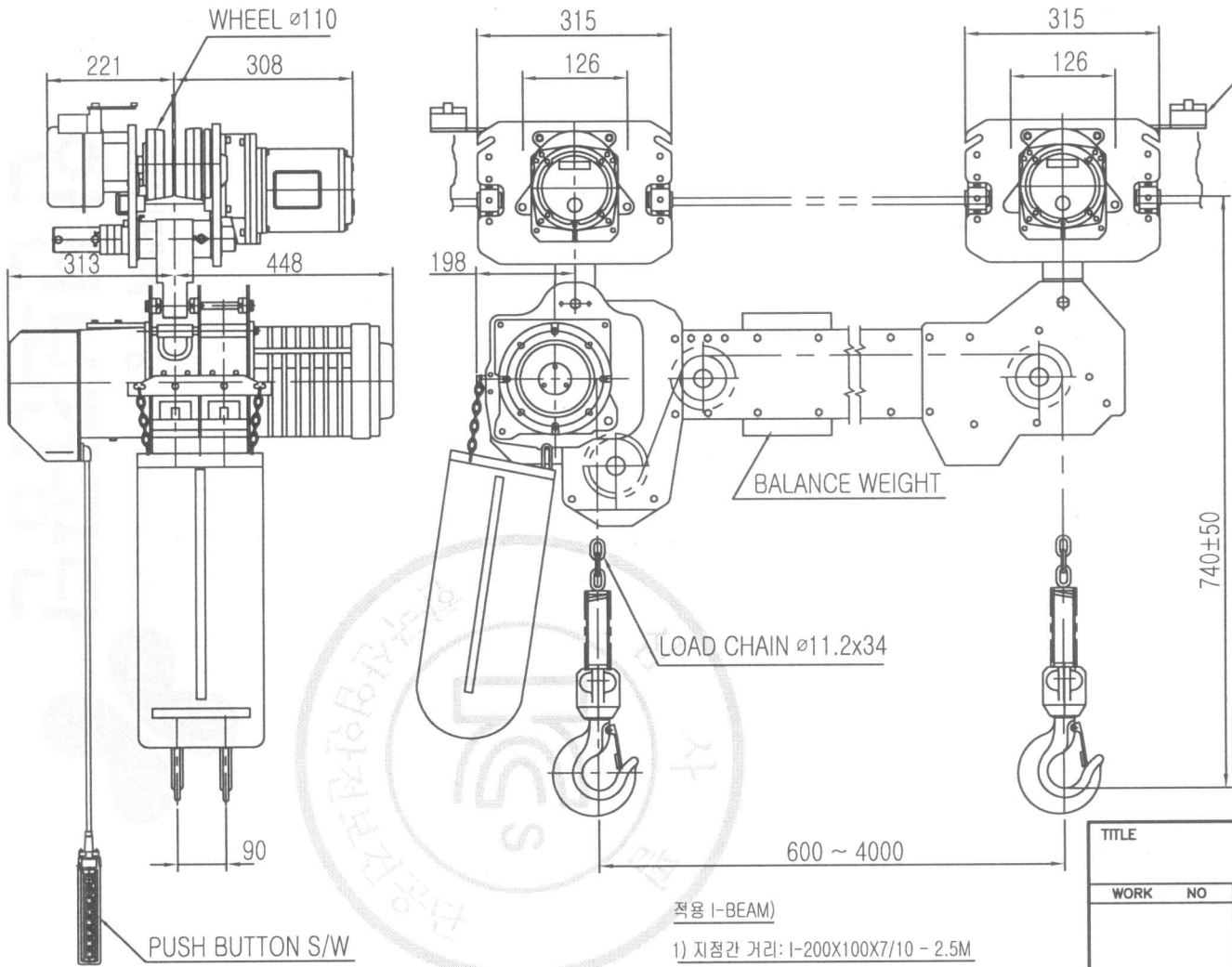
TITLE					PROJECTION	
ELECTRIC CHAIN HOIST						
WORK NO	WORK NAME				SCALE	Q' TY
	LK-DHDAM-1.9S				N S	1
DRAWN	CHECKED	REVIEWED	APPROVED	DRAWING NO		
김창기						
2010.08.01				CORD NO		
L K HOIST CO., LTD.						

물범북제 및 배포금지

ON GMD

L K HOIST

NO	DESCRIPTION	SIZE	MAT' L	Q' TY	WT (kg)	REMARKS



SPECIFICATION

		LK-DHDAM-1.9S		
RATED LOAD (TON)	1.9			
TESTING LOAD (TON)	2.375			
LIFTING HEIGHT (M)	50			
HOISTING	SPEED (M/MIN)	8.1		
	MOTOR (KW)	3.5kw x 4p		
TRAVERSING	SPEED (M/MIN)	21	14	21/7
	MOTOR (KW)	0.75kwx4p-2set	0.4kwx6p-2set	0.75/0.25kwx4/12p-2set
POWER SUPPLY	AC220,380,440,460,480Vx3ø x 60 Hz			
OPERATING METHOD	P.B type ON . FL			
LOAD CHAIN	ø11.2 X 34 (1FALL)			
WEIGHT (KG)	650			
I-BEAM 적용폭	100 ~ 190MM			

NOTE

- 1) 점검 설비를 갖출 것
- 2) 인허가 서류를 완성검사서 제출 할 것

적용 I-BEAM)

- 1) 지점간 거리: I-200X100X7/10 - 2.5M
- 2) 지점간거리: I-250X125X7.5/12.5-4.0M
- 3) 지점간거리: I-300X150X10/18.5-7.0M
- 4) 지점간거리: I-450X175X13/26-10M
- 5) 지점간거리: I-600X190X13/25-15M

TITLE					PROJECTION	
ELECTRIC CHAIN HOIST						
WORK NO	WORK NAME				SCALE	Q' TY
	LK-DHDAM-1.9S				N S	1
DRAWN	CHECKED	REVIEWED	APPROVED	DRAWING NO		
김 창 기						
2010.08.01				CORD NO		
L K HOIST CO., LTD.						

REV.NO	DATE	REVISION	DESCRIPTION	DRAWN	CHECKED	APPROVED

열린본체 및 배포금지