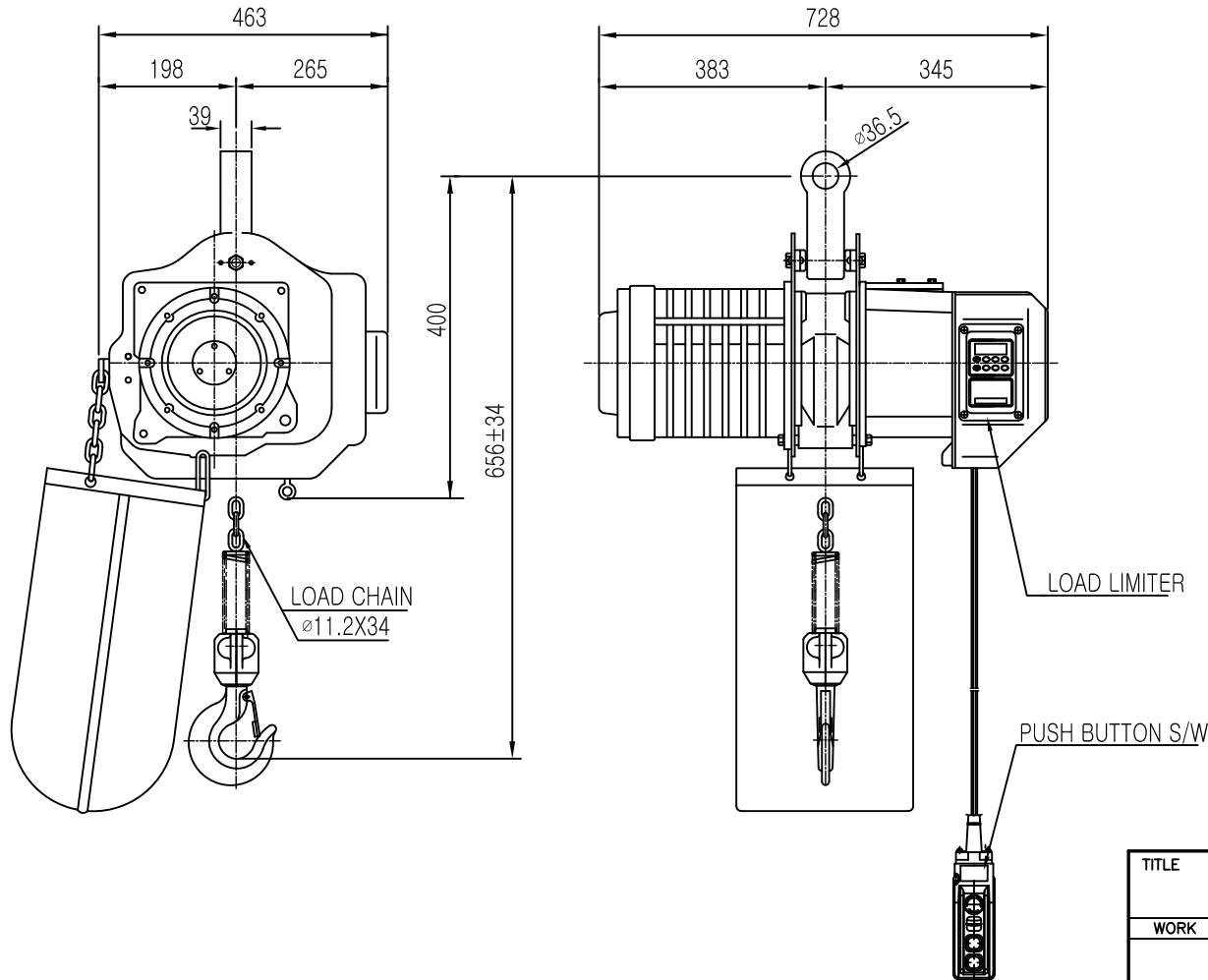


L K HOIST

ON OMD

NO	DESCRIPTION	SIZE	MAT' L	Q' TY	WT (kg)	REMARKS



SPECIFICATION	
RATED LOAD	2.5 TON
TESTING LOAD	3.125 TON
LIFTING HEIGHT	50 M
HOISTING	SPEED 6.5/2.1 M/MIN
	MOTOR 4.4/2.2 KW x 2/6P
TRAVERSING	SPEED - M/MIN
	MOTOR - KW x - SET
POWER SUPPLY	AC220,380,440,460,480 V x 3 ϕ x60Hz
OPERATING METHOD	P.B type ON . FL
LOAD CHAIN	$\phi 11.2 \times 34$ (1 FALL)
WIEGHT	253 KG

NOTE)

- 1) 점검 설비를 갖출것.
- 2) 인허가 서류를 완성검사시 제출할것.

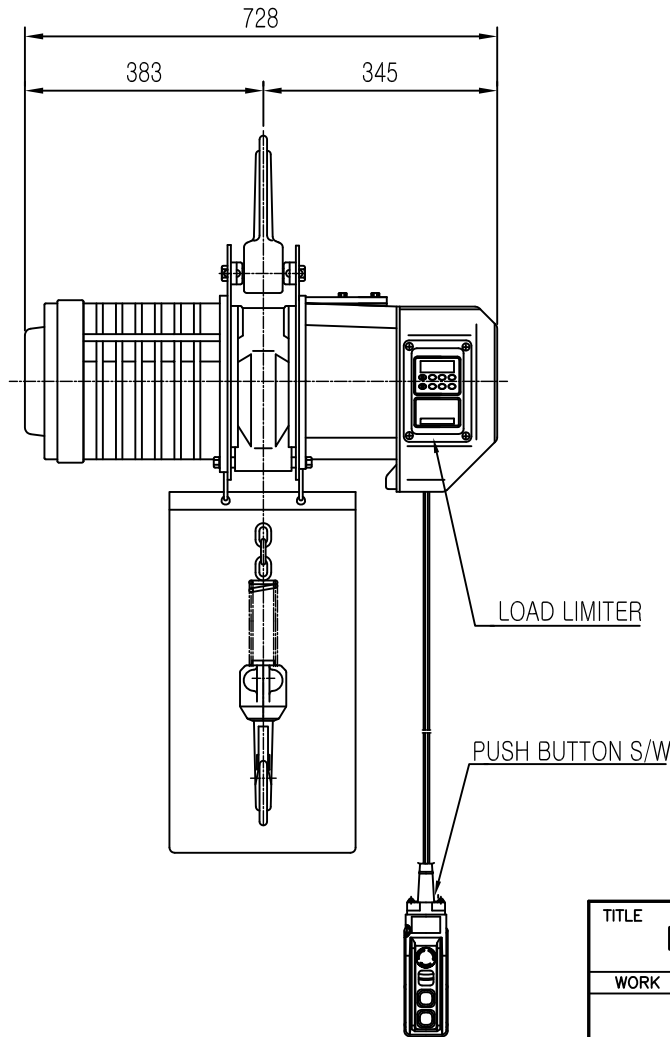
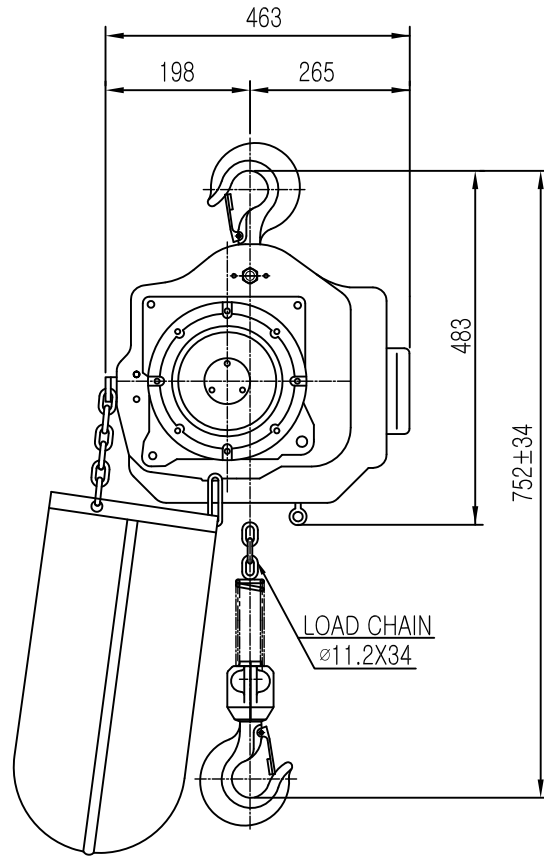
REV.NO	DATE	REVISION	DESCRIPTION	DRAWN	CHECKED	APPROVED

TITLE				PROJECTION	
DB-2.5S ELECTRIC CHAIN HOIST					
WORK NO	WORK NAME			SCALE	Q' TY
	CONNECTOR TYPE			N S	1
DRAWN	CHECKED	REVIEWED	APPROVED	DRAWING NO	
김창기					
2010.07.27					
L K HOIST CO., LTD.					

L K HOIST

ON 3MD

NO	DESCRIPTION	SIZE	MAT' L	Q' TY	WT (kg)	REMARKS



SPECIFICATION	
RATED LOAD	2.5 TON
TESTING LOAD	3.125 TON
LIFTING HEIGHT	50 M
HOISTING	SPEED 6.5/2.1 M/MIN
	MOTOR 4.4/2.2 KW x 2/6P
TRAVERSING	SPEED - M/MIN
	MOTOR - KW x - SET
POWER SUPPLY	AC220,380,440,460,480V x 3øx60Hz
OPERATING METHOD	P.B type ON . FL
LOAD CHAIN	ø11.2 x 34 (1 FALL)
WIEGHT	253 KG

NOTE)

- 1) 점검 설비를 갖출것.
- 2) 인허가 서류를 완성검사시 제출할것.

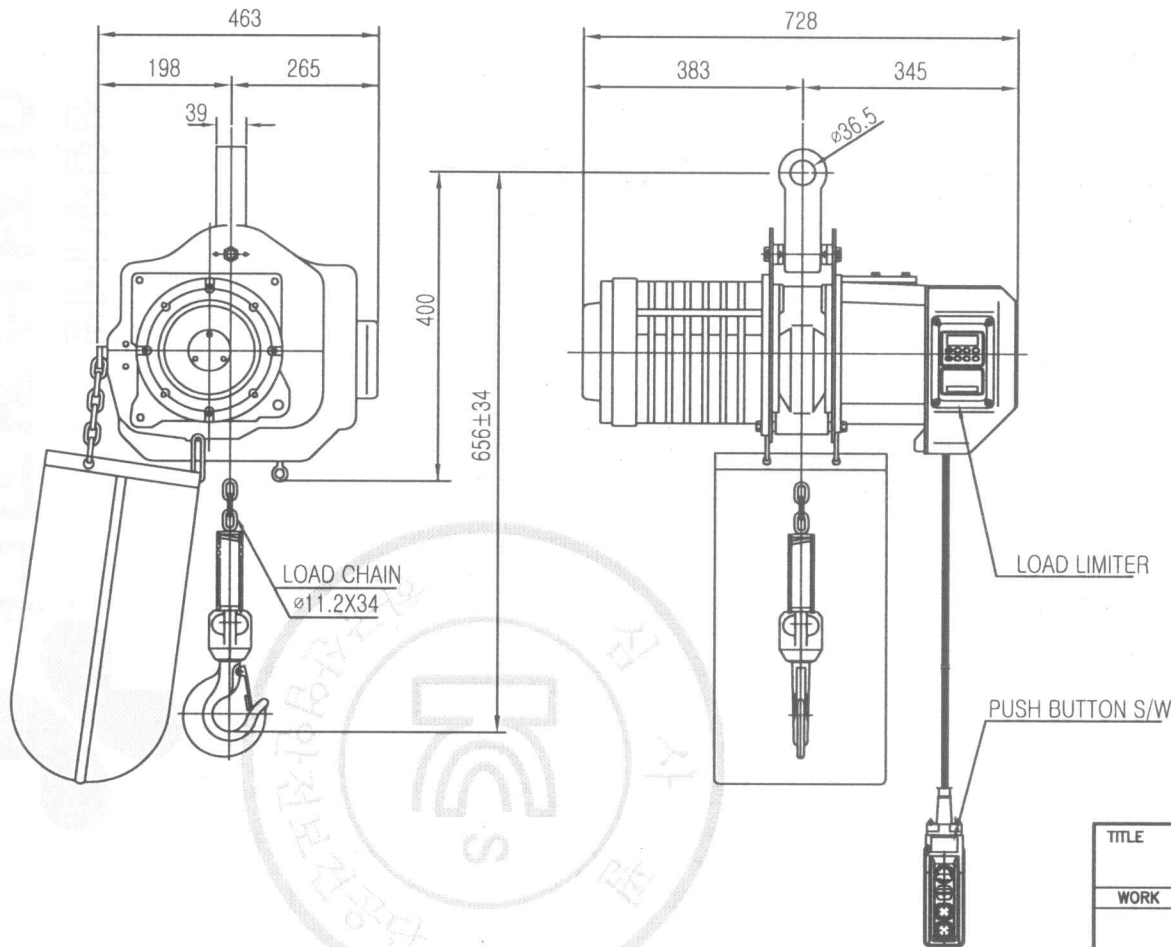
TITLE					PROJECTION	
DB-2.5S ELECTRIC CHAIN HOIST						
WORK NO	WORK NAME				SCALE	Q' TY
	HOOK TYPE				N S	1
DRAWN	CHECKED	REVIEWED	APPROVED	DRAWING NO		
김 창 기						
2010.07.27						

REV.NO	DATE	REVISION	DESCRIPTION	DRAWN	CHECKED	APPROVED

L K HOIST

ON 5MD

NO	DESCRIPTION	SIZE	MAT'L	Q'TY	WT (kg)	REMARKS



SPECIFICATION	
RATED LOAD	2.5 TON
TESTING LOAD	3.125 TON
LIFTING HEIGHT	50 M
HOISTING	SPEED 6.5/2.1 M/MIN
	MOTOR 4.4/2.2 KW x 2/6P
TRAVERSING	SPEED - M/MIN
	MOTOR - KW x - SET
POWER SUPPLY	AC220,380,440,460,480V x 3 ϕ x60Hz
OPERATING METHOD	P.B type ON . FL
LOAD CHAIN	$\phi 11.2 \times 34$ (1 FALL)
WIEGHT	253 KG

NOTE)

- 1) 점검 설비를 갖출것.
- 2) 인허가 서류를 완성검사시 제출할것.

결번복제 및 배포금지

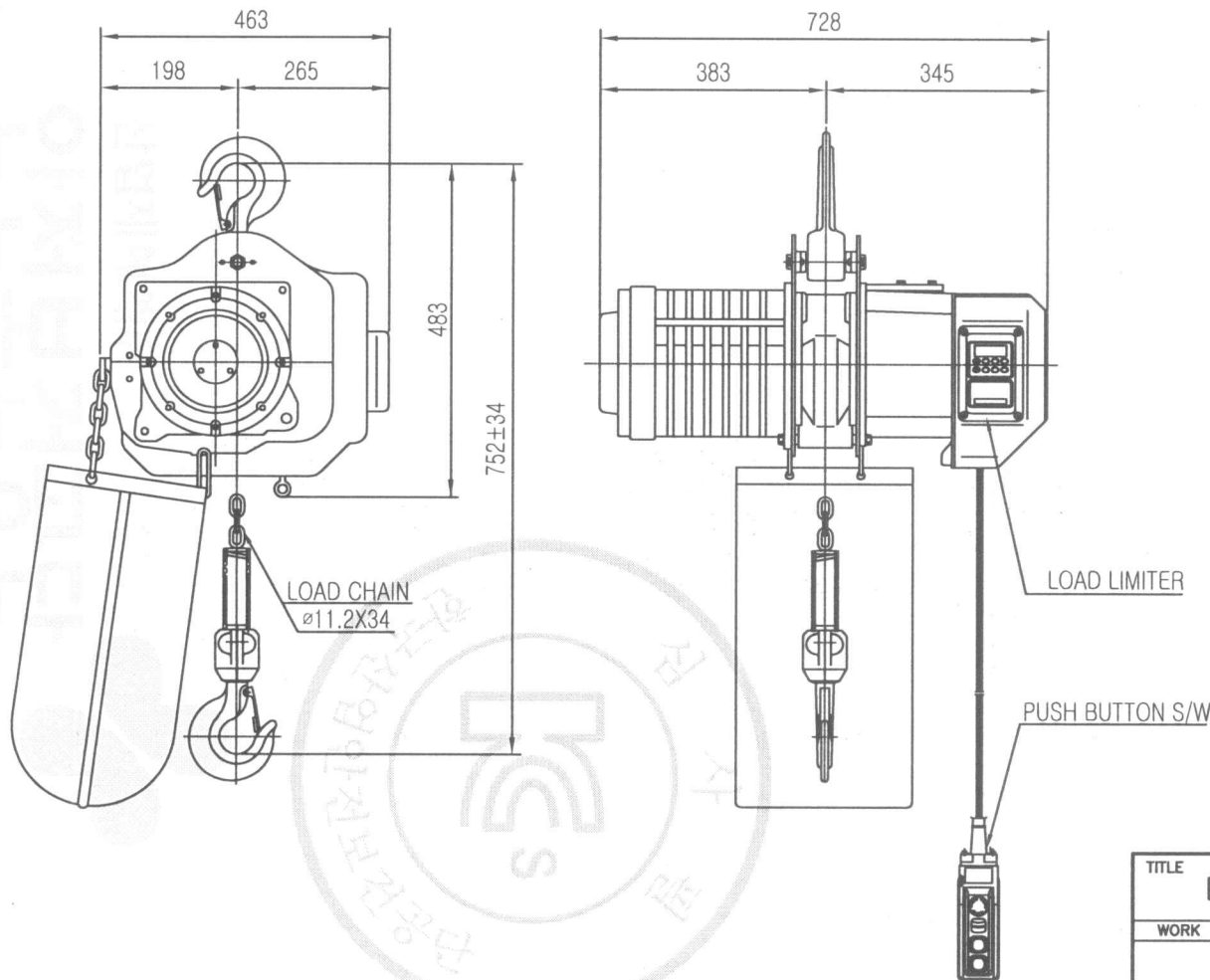
TITLE					PROJECTION	
DB-2.5S ELECTRIC CHAIN HOIST						
WORK NO	WORK NAME				SCALE	Q'TY
	CONNECTOR TYPE				N S	1
DRAWN	CHECKED	REVIEWED	APPROVED	DRAWING NO		
김창기						
2010.07.27						
L K HOIST CO., LTD.						

REV.NO	DATE	REVISION	DESCRIPTION	DRAWN	CHECKED	APPROVED

ON 5MG

L K HOIST

NO	DESCRIPTION	SIZE	MAT'L	Q'TY	WT (kg)	REMARKS



SPECIFICATION	
RATED LOAD	2.5 TON
TESTING LOAD	3.125 TON
LIFTING HEIGHT	50 M
HOISTING	SPEED 6.5/2.1 M/MIN
	MOTOR 4.4/2.2 KW x 2/6P
TRAVERSING	SPEED - M/MIN
	MOTOR - KW x - SET
POWER SUPPLY	AC220,380,440,460,480V x 3øx60Hz
OPERATING METHOD	P.B type ON . FL
LOAD CHAIN	ø11.2 x 34 (1 FALL)
WIEGHT	253 KG

NOTE)

- 1) 점검 설비를 갖출것.
- 2) 인허가 서류를 완성검사시 제출할것.

TITLE				PROJECTION	
DB-2.5S ELECTRIC CHAIN HOIST					
WORK NO	WORK NAME			SCALE	Q' TY
	HOOK TYPE			N S	1
DRAWN	CHECKED	REVIEWED	APPROVED	DRAWING NO	
김 창 기					
2010.07.27					
L K HOIST CO., LTD.					

REV.NO	DATE	REVISION	DESCRIPTION	DRAWN	CHECKED	APPROVED

물범복제 및 배포금지