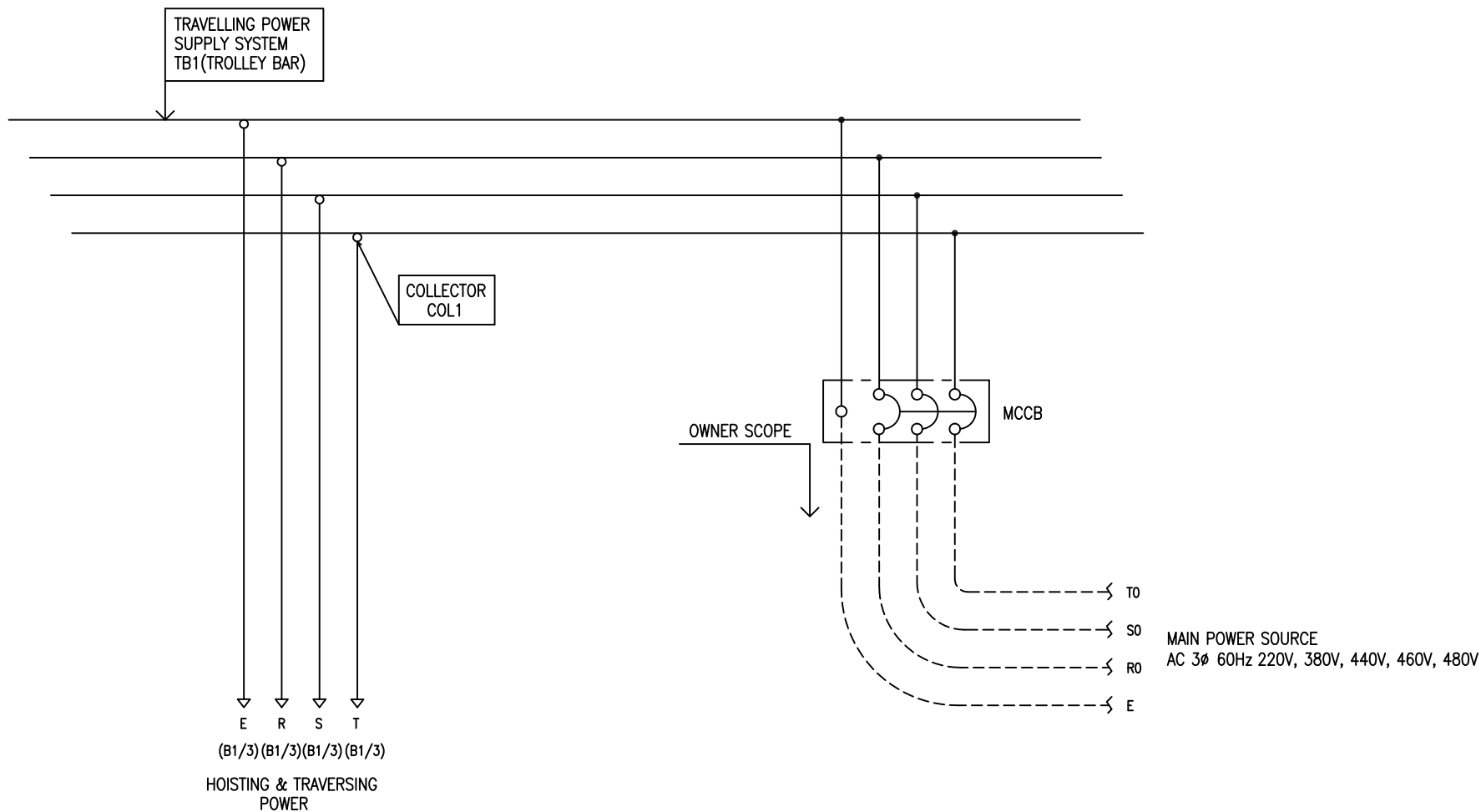


POWER CIRCUIT  
TRAVELLING POWER SUPPLY SYSTEM

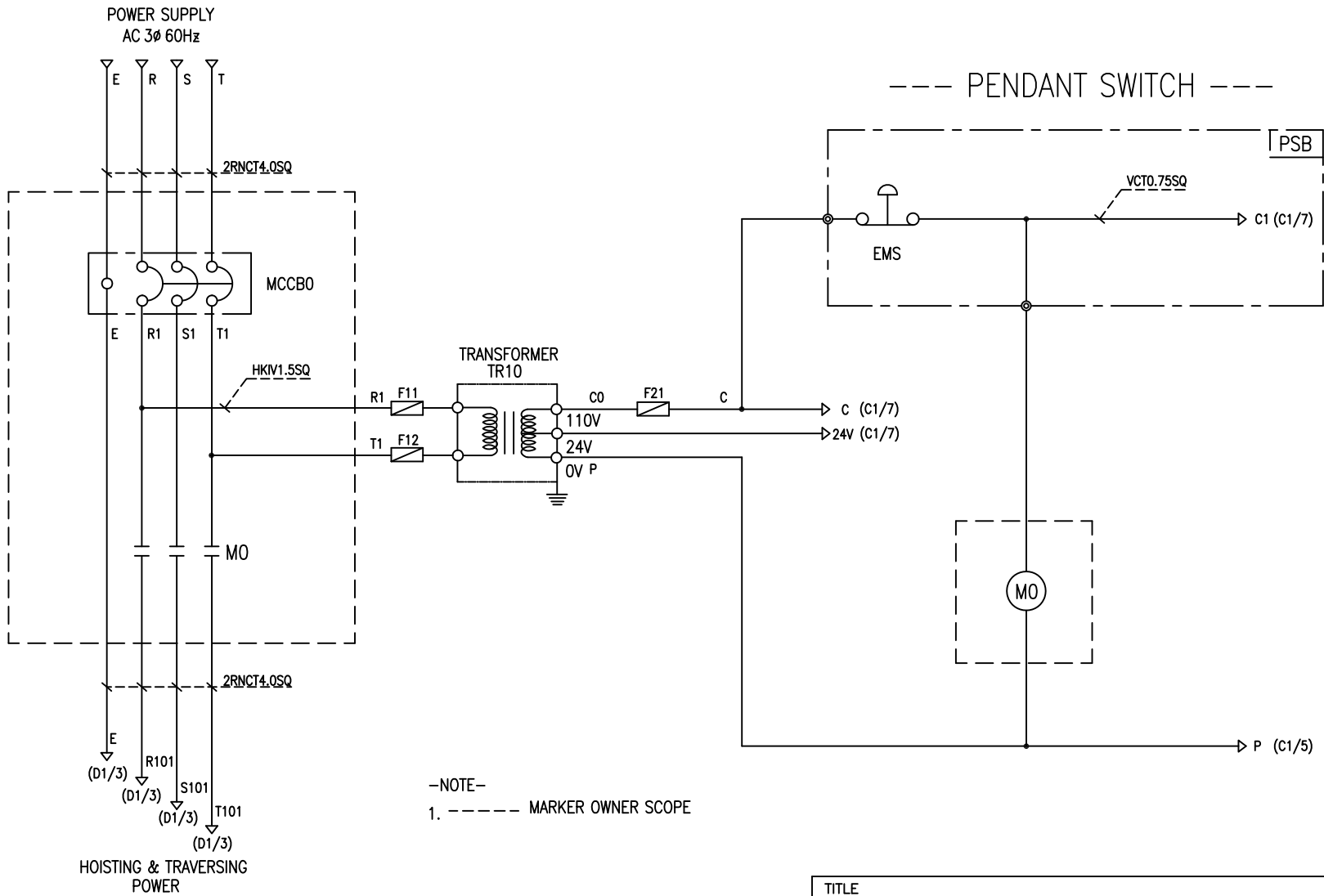
ADDRESS NO.  
A1



-NOTE-

- 1. - - - - MARKED OWNER SCOPE
- 2. ——— MARKED CRAIN MAKER SCOPE

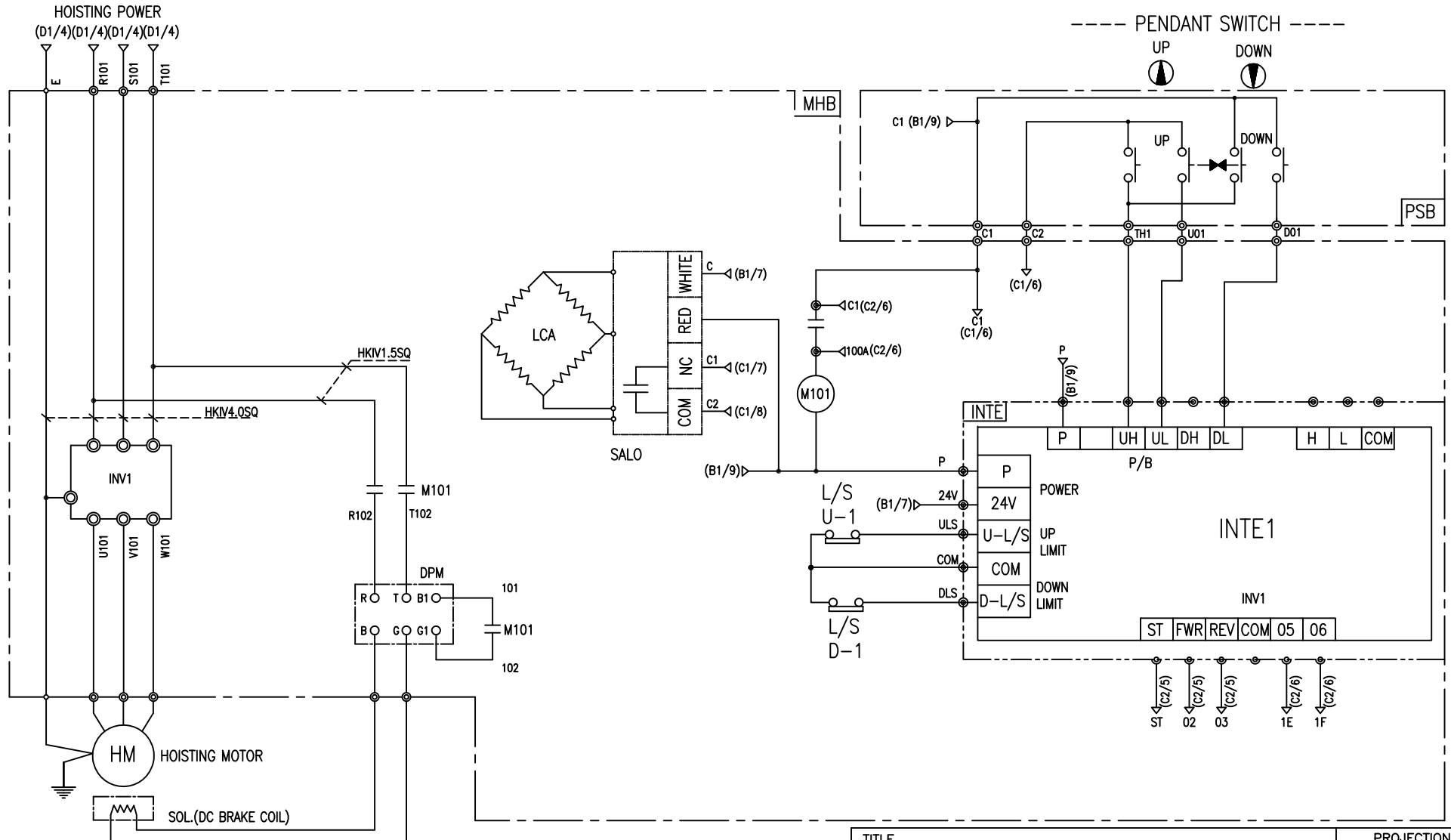
|                                      |                   |          |          |                    |            |
|--------------------------------------|-------------------|----------|----------|--------------------|------------|
| TITLE<br>MAIN POWER CIRCUIT DIAGRAM1 |                   |          |          | PROJECTION<br>     |            |
| WORK NO<br>601                       | WORK NAME<br>EDAM |          |          | SCALE<br>1/1       | Q' TY<br>1 |
| 220V, 380V, 440V, 460V, 480V         |                   |          |          |                    |            |
| DRAWN<br>LEE G.H.<br>2018.09.04      | CHECKED           | REVIEWED | APPROVED | DRAWING NO<br>EDAM | CODE NO    |
| L K HOIST CO., LTD.                  |                   |          |          |                    |            |



-NOTE-  
1. ----- MARKER OWNER SCOPE

| SPECIFICATION | NO FUSE BREAKER | MAGNET CONTACT | TRANSFORMER | FUZE          |      |    |
|---------------|-----------------|----------------|-------------|---------------|------|----|
| SYMBOLS       | MCCBO           | MO             | TR10        | F11, F12, F21 |      |    |
| DESCRIPTION   | 220V            | 30A            | GMC22       | DMC-22        | 40VA | 1A |
|               | 380V            | 15A            |             |               |      |    |
|               | 440V            | 15A            |             |               |      |    |
|               | 460V            | 15A            |             |               |      |    |
|               | 480V            | 15A            |             |               |      |    |
| MAKER         | LS              | LS             | DONGA       | LK            | -    |    |

|   |  |                  |  |                  |  |                |  |
|---|--|------------------|--|------------------|--|----------------|--|
| TITLE<br>MAIN POWER & CONTROL CIRCUIT DIAGRAM |  |                  |  |                  |  | PROJECTION<br> |  |
| WORK NO<br>602                                |  | WORK NAME<br>DAM |  |                  |  | SCALE<br>1/1   |  |
| 220V, 380V, 440V, 460V, 480V                  |  | Q' TY<br>1       |  | DRAWN<br>LEE.G.H |  | APPROVED       |  |
| 2018.09.04                                    |  | MODEL<br>EDAM    |  | CODE NO          |  | 1              |  |
| L K HOIST CO., LTD.                           |  |                  |  |                  |  |                |  |



-NOTE-  
 1. : Mechanical Interlock

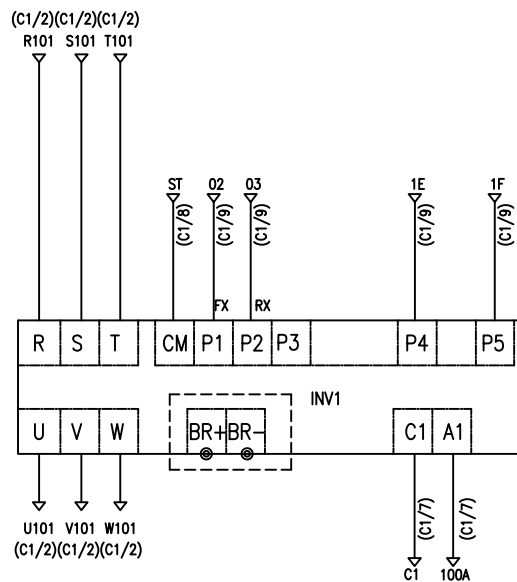
|               |                |                    |                   |        |        |        |           |             |            |
|---------------|----------------|--------------------|-------------------|--------|--------|--------|-----------|-------------|------------|
| SPECIFICATION | MAGNET CONTACT | LOAD CELL          | SILICON RECTIFIER |        |        |        | INTERFACE | HOIST MOTOR |            |
| SYMBOLS       | M101           | SALO               | DPM               |        |        |        | INTE1     | HM          |            |
| DESCRIPTION   | DMC25C         | SAFELO<br>ACL05-3T | AC220V            | AC380V | AC440V | AC460V | AC480V    | DC24V       | 3.5Kw * 4P |
|               |                |                    | DC99V             | DC171V | DC198V | DC207V | DC216V    |             |            |
| MAKER         | DONG-A         | SINHAN             | LK                |        |        |        | LK        | LK          |            |

|  |         |                   |          |         |      |                |            |
|--|---------|-------------------|----------|---------|------|----------------|------------|
| TITLE<br>HOIST POWER & CONTROL CIRCUIT DIAGRAM |         |                   |          |         |      | PROJECTION<br> |            |
| WORK NO.<br>603                                |         | WORK NAME<br>EDAM |          |         |      | SCALE<br>1/1   | Q' TY<br>1 |
| 220V, 380V, 440V, 460V, 480V                   |         |                   |          |         |      |                |            |
| DRAWN<br>LEE.G.H                               | CHECKED | REVIEWED          | APPROVED | MODEL   | EDAM |                |            |
| 2018.09.04                                     |         |                   |          | CODE NO |      |                |            |
| L K HOIST CO., LTD.                            |         |                   |          |         |      |                |            |

## INVERTER CIRCUIT

ADDRESS NO.

C2



-NOTE-

1. ----- : OPTION SCOPE

| SPECIFICATION | INVERTER     | BRAKING RESISTOR |              |
|---------------|--------------|------------------|--------------|
| SYMBOLS       | INV1         | BR               |              |
| DESCRIPTION   | LSLV0040S100 | 220V             | 600W 33 OHM  |
|               |              | over 380V        | 600W 130 OHM |
| MAKER         | LS           | -                |              |

| TITLE                            |           |          |          |         |      | (D1/6) PROJECTION |       |
|----------------------------------|-----------|----------|----------|---------|------|-------------------|-------|
| INVERTER CONTROL CIRCUIT DIAGRAM |           |          |          |         |      |                   |       |
| WORK NO                          | WORK NAME |          |          |         |      | SCALE             | Q' TY |
| 604                              | HOISTING  |          |          |         |      | 1/1               | 1     |
| 220V, 380V, 440V, 460V, 480V     |           |          |          |         |      |                   |       |
| DRAWN                            | CHECKED   | REVIEWED | APPROVED | MODEL   | EDAM |                   |       |
| LEE.G.H                          |           |          |          | CODE NO |      |                   |       |
| 2018.09.04                       |           |          |          |         |      |                   |       |
| <b>L K HOIST CO., LTD.</b>       |           |          |          |         |      |                   |       |

## SCHEDULE OF TECHNICAL DATA

|   |                             |
|---|-----------------------------|
| 1. SERVICE                                  | HOISTING                    |
| 2. MANUFACTURE                              | LK HOIST CO. LTD            |
| 3. MOTOR MODEL NO                           | 3.5 - 4 - 48                |
| 4. RATED POWER                              | 3.5 KW × 4 P                |
| 5. RATED VOLTAGE AND FREQUENCY              | 480 V      60HZ             |
| 6. MOTOR TYPE                               | SQUIRREL CAGE ROTOR TYPE    |
| 7. RATING                                   | 30 MIN                      |
| 8. LOCATION                                 | IN-DOOR , OUTDOOR           |
| 9. INSULATION CLASS                         | B                           |
| 10. DESIGN TEMPERATURE RISE (BY RESISTANCE) | 80℃                         |
| 11. FULL LOAD SPEED                         | 1740 RPM                    |
| 12. FULL LOAD CURRENT                       | 7.9 A                       |
| 13. STARTING CURRENT AT RATED VOLTAGE       | 38.5 A                      |
| 14. MINIMUM STARTING VOLTAGE                | 432 V                       |
| 15. EFFICIENCY AT 100% RATED LOAD           | 73.5 %                      |
| 16. POWER FACTOR AT 100% RATED LOAD         | 73.0 %                      |
| 17. STARTING TORQUE                         | 247 %                       |
| 18. TYPE OF ENCLOSURE                       | 전폐형(IP-54)                  |
| 19. TYPE OF BEARING                         | PL : 6205DD    OPL : 6008ZZ |
| 20. MOUNTING                                | VERTICAL                    |
| 21. MAXIMUM AMBIENT TEMPURE                 | 40℃                         |
| 22. BEARING LUBRICATION                     | GREASE                      |
| 23. STARTING METHOD                         | FULL VOLTAGE                |