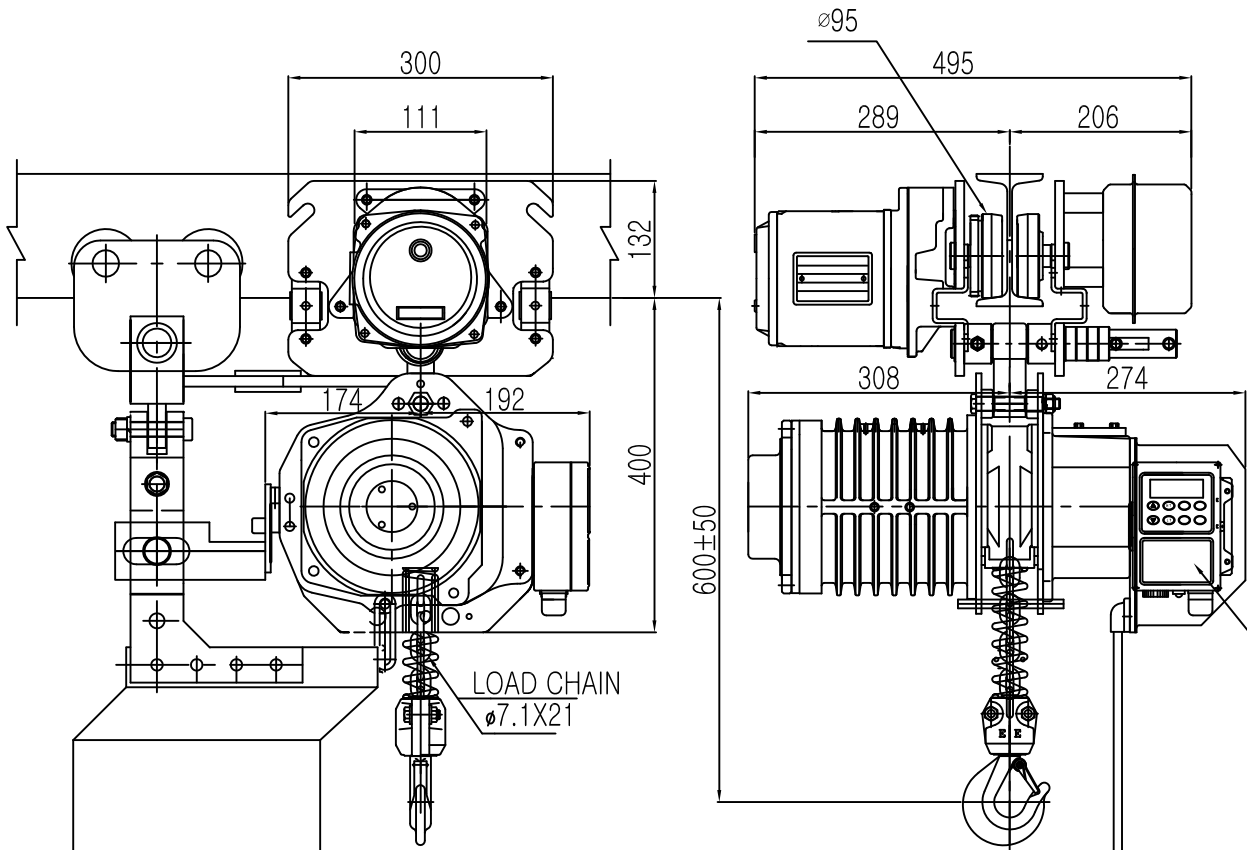


L K HOIST

NO	DESCRIPTION	SIZE	MAT'L	Q'TY	WT (kg)	REMARKS



SPECIFICATION

		LK-DAM-0.5S			
RATED LOAD	(TON)	0.5			
TESTING LOAD	(TON)	0.625			
LIFTING HEIGHT	(M)	50			
HOISTING	SPEED (M/MIN)	8.2			
	MOTOR (KW)	1.8kw x 4p			
TRAVERSING	SPEED (M/MIN)	22	14	22/7	
	MOTOR (KW)	0.4kw x 4p	0.3kw x 6p	0.4/0.14kw x 4/12p	
POWER SUPPLY	AC220.380.440.460,480Vx3φ x 60 Hz				
OPERATING METHOD	P.B type ON . FL				
LOAD CHAIN	φ7.1 X 21 (1FALL)				
WEIGHT	(KG)	165			
I-BEAM 적용폭	75 ~ 175MM				

NOTE

- 1) 점검 설비를 갖출 것
- 2) 인허가 서류를 완성검사시 제출 할 것

적용 I-BEAM)

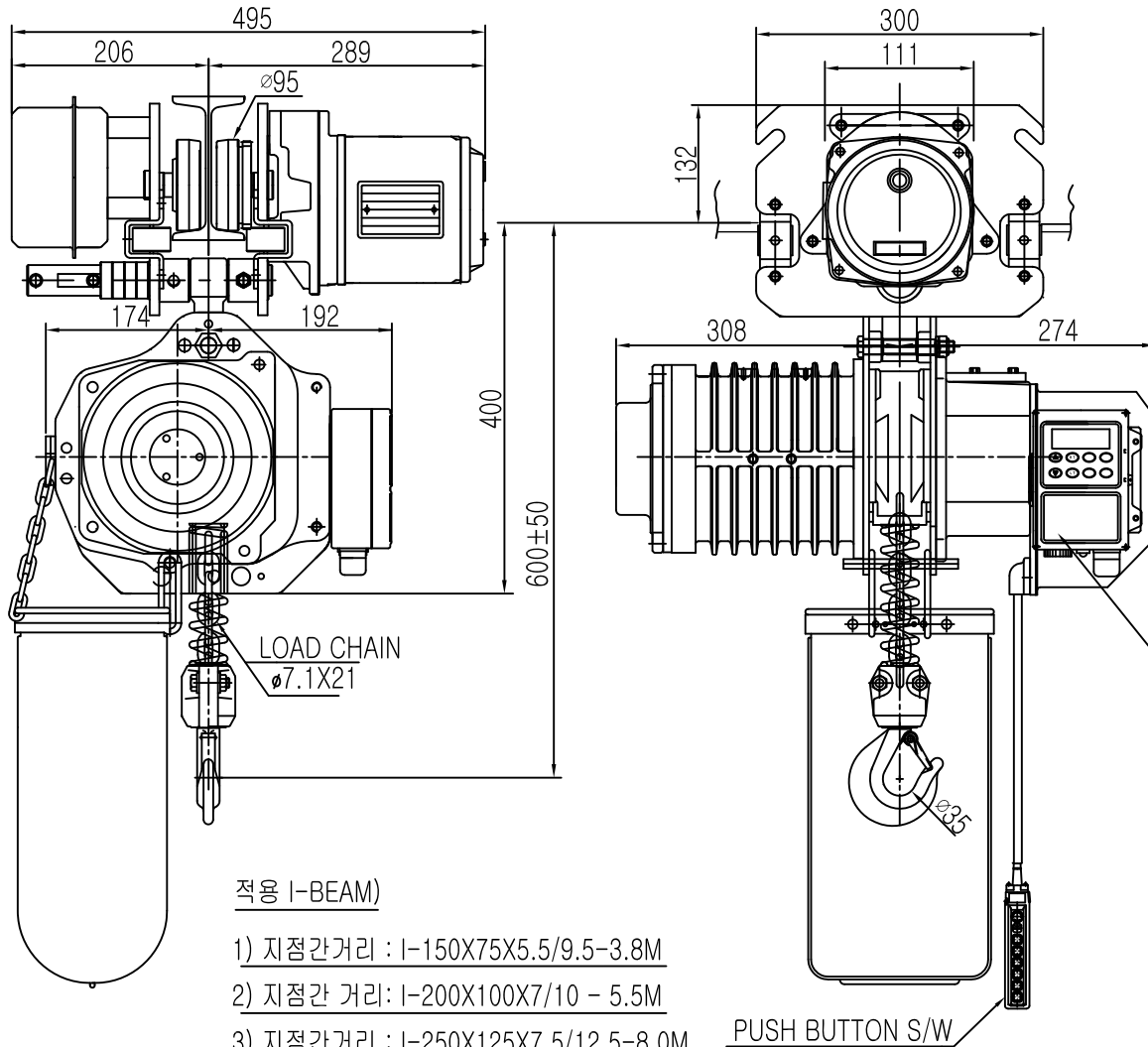
- 1) 지점간거리 : I-150X75X5.5/9.5-3.8M
- 2) 지점간 거리: I-200X100X7/10 - 5.5M
- 3) 지점간거리 : I-250X125X7.5/12.5-8.0M
- 4) 지점간거리 : I-300X150X10/18.5-11M
- 5) 지점간거리 : I-450X175X13/26-15M

REV.NO	DATE	REVISION	DESCRIPTION	DRAWN	CHECKED	APPROVED

TITLE				PROJECTION	
ELECTRIC CHAIN HOIST DAM-0.5S					
WORK NO	WORK NAME			SCALE	Q' TY
	LK-DAM-0.5S				1
DRAWN	CHECKED	REVIEWED	APPROVED	DRAWING NO	
김 창 기				CODE NO	
2010.08.01					

L K HOIST

NO	DESCRIPTION	SIZE	MAT' L	Q' TY	WT (kg)	REMARKS



SPECIFICATION

		LK-DAM-0.5S		
RATED LOAD	(TON)	0.5		
TESTING LOAD	(TON)	0.625		
LIFTING HEIGHT	(M)	50		
HOISTING	SPEED (M/MIN)	8.2		
	MOTOR (KW)	1.8kw x 4p		
TRAVERSING	SPEED (M/MIN)	22	14	22/7
	MOTOR (KW)	0.4kw x 4p	0.3kw x 6p	0.4/0.14kw x 4/12p
POWER SUPPLY	AC220.380.440.460.480Vx3 ϕ x 60 Hz			
OPERATING METHOD	P.B type ON . FL			
LOAD CHAIN	$\phi 7.1 \times 21$ (1FALL)			
WEIGHT	(KG)	165		
I-BEAM 적용폭	75 ~ 175MM			

적용 I-BEAM)

- 1) 지점간거리 : I-150X75X5.5/9.5-3.8M
- 2) 지점간 거리: I-200X100X7/10 - 5.5M
- 3) 지점간거리 : I-250X125X7.5/12.5-8.0M
- 4) 지점간거리 : I-300X150X10/18.5-11M
- 5) 지점간거리 : I-450X175X13/26-15M

NOTE

- 1) 점검 설비를 갖출 것
- 2) 인허가 서류를 완성검사시 제출 할 것

TITLE					PROJECTION	
ELECTRIC CHAIN HOIST						
WORK NO	WORK NAME				SCALE	Q' TY
	LK-DAM-0.5S				N/S	1
DRAWN	CHECKED	REVIEWED	APPROVED	DRAWING NO		
김 창 기						
2010.08.01				CODE NO		

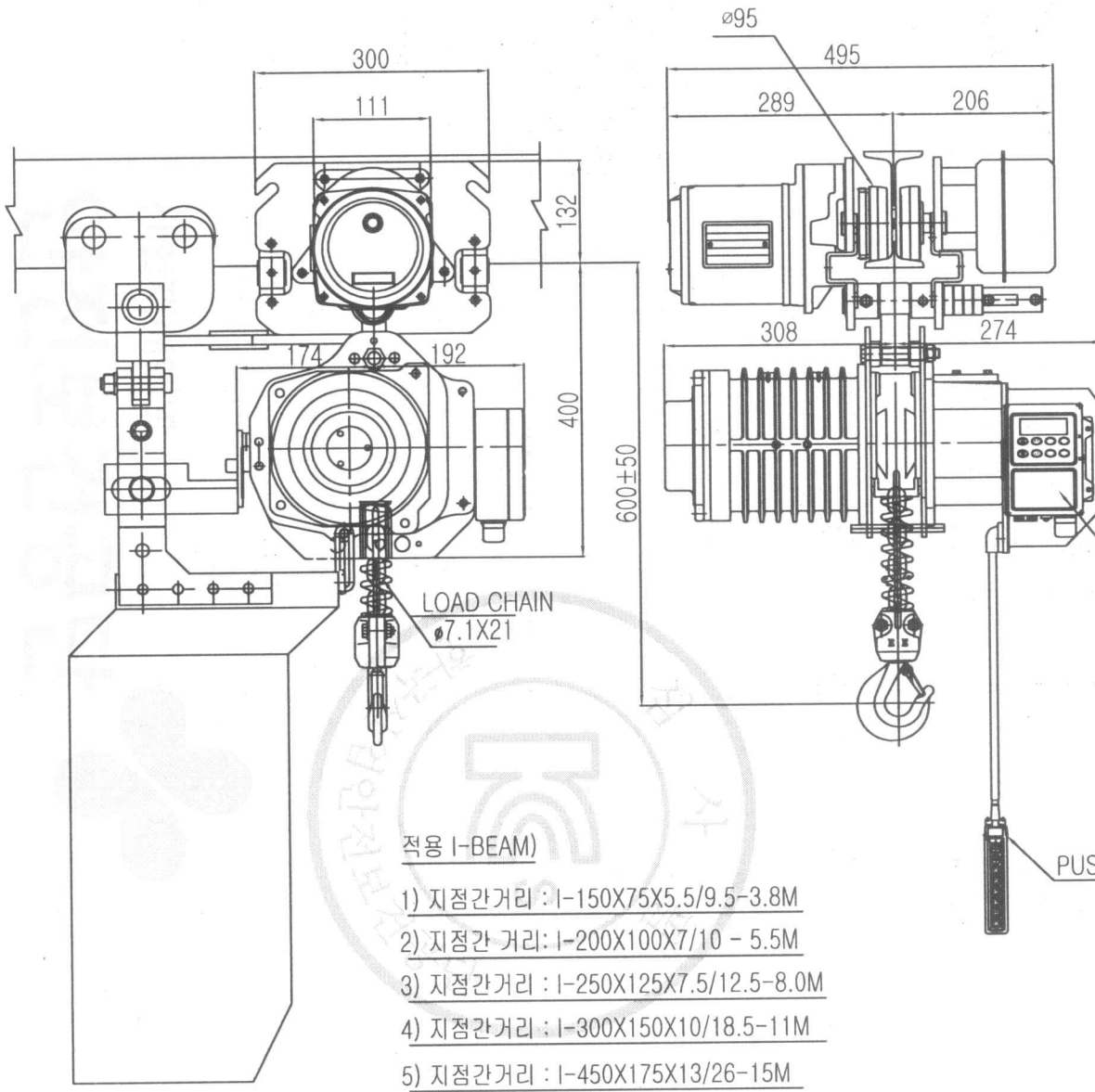


L K HOIST CO., LTD.

REV.NO	DATE	REVISION	DESCRIPTION	DRAWN	CHECKED	APPROVED

L K HOIST

NO	DESCRIPTION	SIZE	MAT L	Q' TY	WT (kg)	REMARKS



SPECIFICATION

		LK-DAM-0.5S		
RATED LOAD	(TON)	0.5		
TESTING LOAD	(TON)	0.625		
LIFTING HEIGHT	(M)	50		
HOISTING	SPEED (M/MIN)	8.2		
	MOTOR (KW)	1.8kw x 4p		
TRAVERSING	SPEED (M/MIN)	22	14	22/7
	MOTOR (KW)	0.4kw x 4p	0.3kw x 6p	0.4/0.14kw x 4/12p
POWER SUPPLY	AC220.380.440.460,480Vx3ø x 60 Hz			
OPERATING METHOD	P.B type ON . FL			
LOAD CHAIN	ø7.1 X 21 (1FALL)			
WEIGHT	(KG)	165		
I-BEAM 적용폭		75 ~ 175MM		

LOAD LIMITER

PUSH BUTTON S/W

NOTE

- 1) 점검 설비를 갖출 것
- 2) 인허가 서류를 완성검사시 제출 할 것

적용 I-BEAM)

- 1) 지점간거리 : I-150X75X5.5/9.5-3.8M
- 2) 지점간거리 : I-200X100X7/10 - 5.5M
- 3) 지점간거리 : I-250X125X7.5/12.5-8.0M
- 4) 지점간거리 : I-300X150X10/18.5-11M
- 5) 지점간거리 : I-450X175X13/26-15M

TITLE					PROJECTION	
ELECTRIC CHAIN HOIST DAM-0.5S						
WORK NO	WORK NAME			SCALE		
	LK-DAM-0.5S				1	
DRAWN	CHECKED	REVIEWED	APPROVED	DRAWING NO		
김창기				CODE NO		
2010.08.01						
L K HOIST CO., LTD.						

REV.NO	DATE	REVISION DESCRIPTION	DRAWN	CHECKED	APPROVED

물범보제 및 배포금지

