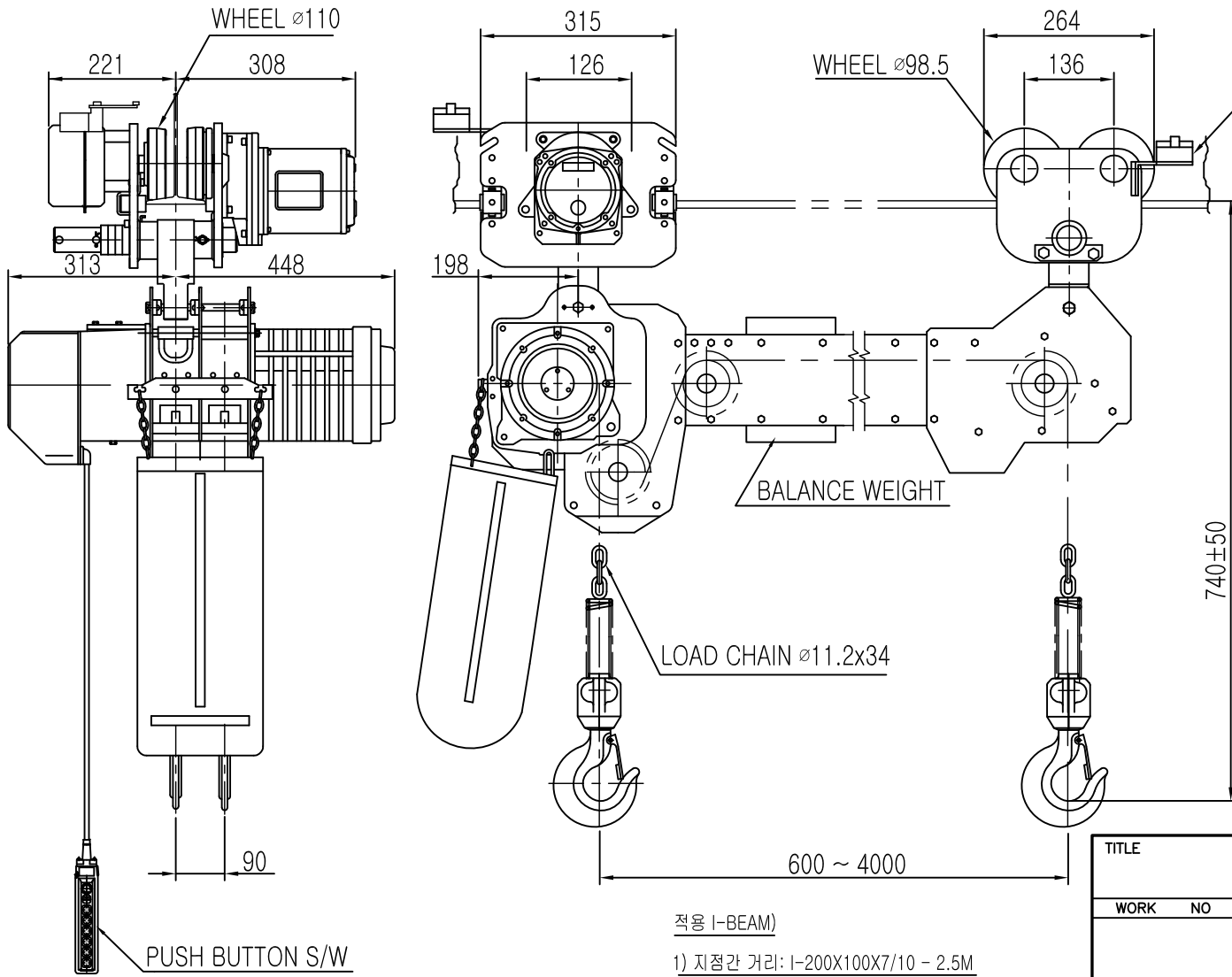


ON 0MD

L K HOIST

NO	DESCRIPTION	SIZE	MAT' L	Q' TY	WT (kg)	REMARKS
----	-------------	------	--------	-------	---------	---------



SPECIFICATION

		LK-DHDAM-2S	
RATED LOAD (TON)		2.0	
TESTING LOAD (TON)		2.5	
LIFTING HEIGHT (M)		40	
HOISTING	SPEED (M/MIN)	8.1	
	MOTOR (KW)	3.5kw x 4p	
TRAVERSING	SPEED (M/MIN)	21	14 21/7
	MOTOR (KW)	0.75kw x 4p	0.4kw x 6p 0.75/0.25kw x 4/12p
POWER SUPPLY	AC220.380.440.460.480V $\times 3\phi$ x 60 Hz		
OPERATING METHOD	P.B type ON . FL		
LOAD CHAIN	$\phi 11.2 \times 34$ (1FALL)		
WEIGHT (KG)	600		
I-BEAM 적용폭	100 ~ 190MM		

NOTE)

- 1)점검 설비를 갖출 것
- 2)인허가 서류를 완성검사시 제출 할 것

적용 I-BEAM)

- 1) 지점간 거리 : I-200X100X7/10 - 2.5M
- 2) 지점간 거리 : I-250X125X7.5/12.5-4.0M
- 3) 지점간 거리 : I-300X150X10/18.5-7.0M
- 4) 지점간 거리 : I-450X175X13/26-10M
- 5) 지점간 거리 : I-600X190X13/25-15M

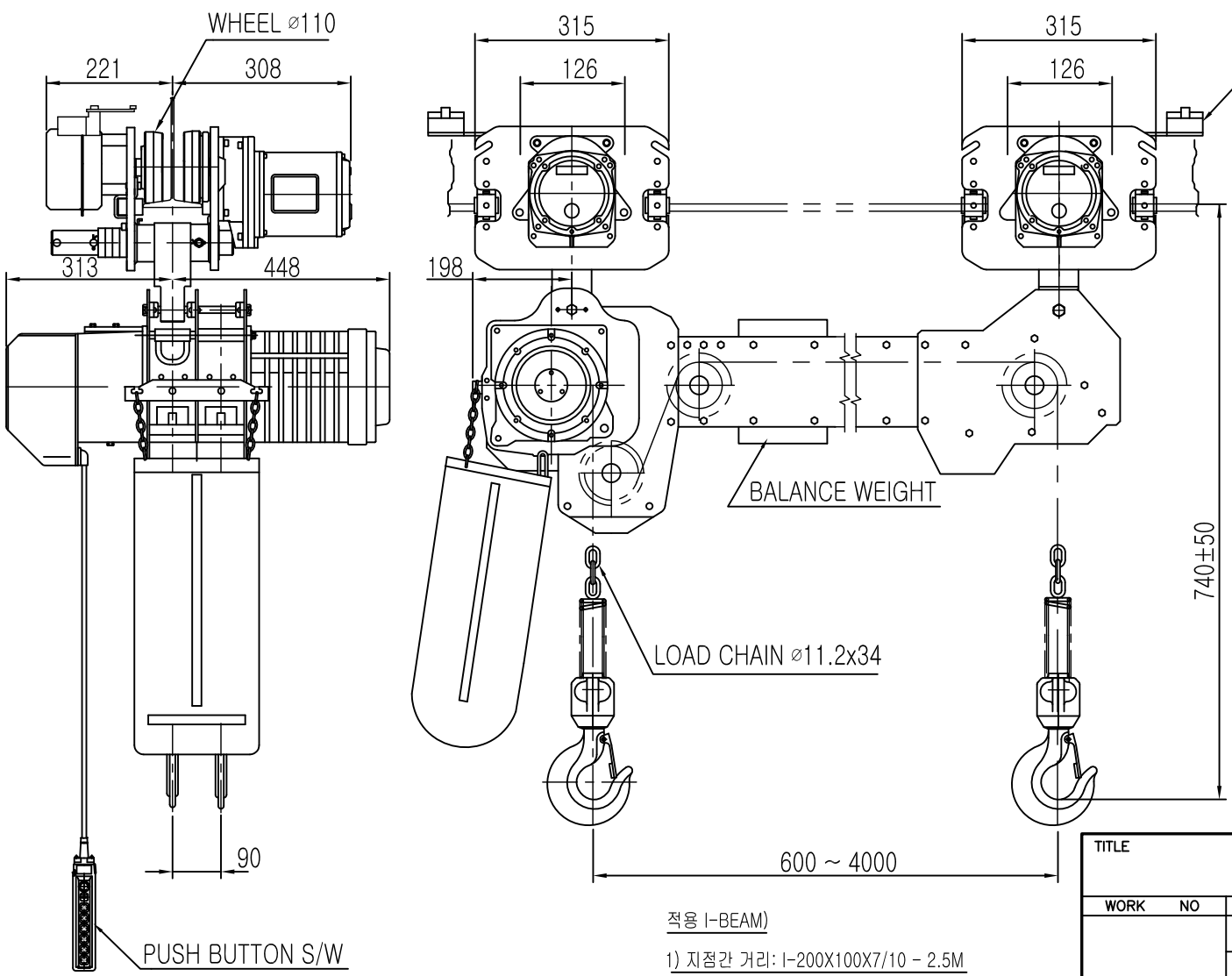
REV.NO	DATE	REVISION	DESCRIPTION	DRAWN	CHECKED	APPROVED
--------	------	----------	-------------	-------	---------	----------

TITLE					PROJECTION	
ELECTRIC CHAIN HOIST						
WORK NO	WORK NAME				SCALE	Q' TY
	LK-DHDAM-2S				N S	1
DRAWN	CHECKED	REVIEWED	APPROVED	DRAWING NO		
김 창 기				CORD NO		
2010.08.01						
L K HOIST CO., LTD.						

ON 9MG

L K HOIST

NO	DESCRIPTION	SIZE	MAT' L	Q' TY	WT (kg)	REMARKS



SPECIFICATION

		LK-DHDAM-2S	
RATED LOAD (TON)		2.0	
TESTING LOAD (TON)		2.5	
LIFTING HEIGHT (M)		40	
HOISTING	SPEED (M/MIN)	8.1	
	MOTOR (KW)	3.5kw x 4p	
TRAVERSING	SPEED (M/MIN)	21	14 21/7
	MOTOR (KW)	0.75kwx4p-2set	0.4kwx6p-2set 0.75/0.25kwx4/12p-2set
POWER SUPPLY		AC220,380,440,460,480Vx3ø x 60 Hz	
OPERATING METHOD		P.B type ON . FL	
LOAD CHAIN		ø11.2 X 34 (1FALL)	
WEIGHT (KG)		600	
I-BEAM 적용폭		100 ~ 190MM	

NOTE)
 1)점검 설비를 갖출 것
 2)인허가 서류를 완성검사시 제출 할 것

- 적용 I-BEAM)
- 1) 지점간 거리 : I-200X100X7/10 - 2.5M
 - 2) 지점간거리 : I-250X125X7.5/12.5-4.0M
 - 3) 지점간거리 : I-300X150X10/18.5-7.0M
 - 4) 지점간거리 : I-450X175X13/26-10M
 - 5) 지점간거리 : I-600X190X13/25-15M

REV.NO	DATE	REVISION	DESCRIPTION	DRAWN	CHECKED	APPROVED

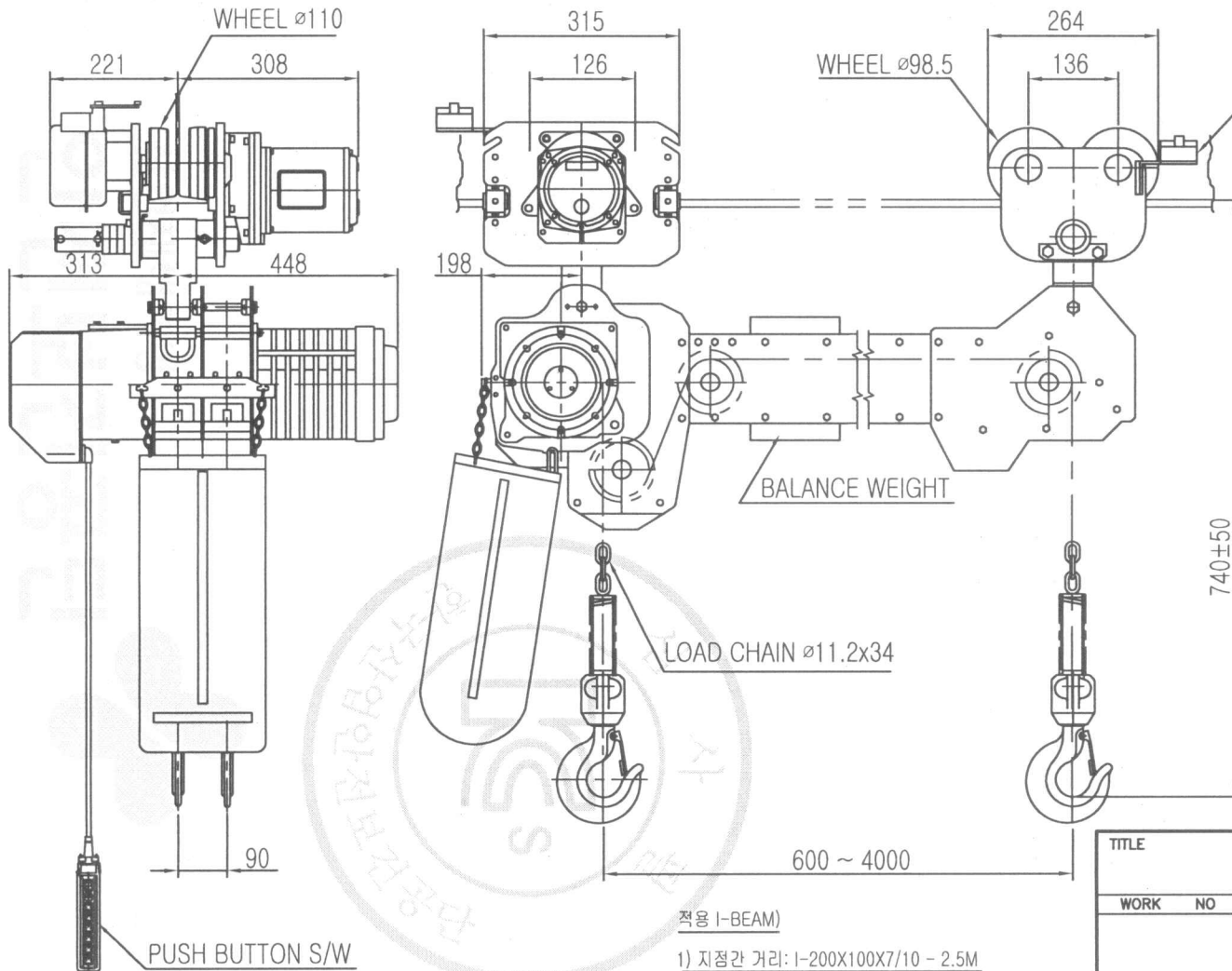
TITLE				ELECTRIC CHAIN HOIST		PROJECTION	
WORK NO				WORK NAME		SCALE	
				LK-DHDAM-2S		N S	
DRAWN				CHECKED		Q' TY	
김창기						1	
2010.08.01				DRAWING NO		CORD NO	

LK L K HOIST CO., LTD.

ON 9MG

L K HOIST

NO	DESCRIPTION	SIZE	MAT L	Q' TY	WT (kg)	REMARKS



SPECIFICATION

		LK-DHDAM-2S		
RATED LOAD	(TON)	2.0		
TESTING LOAD	(TON)	2.5		
LIFTING HEIGHT	(M)	40		
HOISTING	SPEED (M/MIN)	8.1		
	MOTOR (KW)	3.5kw x 4p		
TRAVERSING	SPEED (M/MIN)	21	14	21/7
	MOTOR (KW)	0.75kw x 4p	0.4kw x 6p	0.75/0.25kw x 4/12p
	POWER SUPPLY	AC220.380.440.460.480Vx3φ x 60 Hz		
OPERATING METHOD		P.B type ON . FL		
LOAD CHAIN		φ11.2 X 34 (1FALL)		
WEIGHT	(KG)	600		
I-BEAM 적용폭		100 ~ 190MM		

NOTE)

- 1) 점검 설비를 갖출 것
- 2) 인허가 서류를 완성검사시 제출 할 것

적용 I-BEAM)

- 1) 지점간 거리: I-200X100X7/10 - 2.5M
- 2) 지점간거리 : I-250X125X7.5/12.5-4.0M
- 3) 지점간거리 : I-300X150X10/18.5-7.0M
- 4) 지점간거리 : I-450X175X13/26-10M
- 5) 지점간거리 : I-600X190X13/25-15M

REV.NO	DATE	REVISION	DESCRIPTION	DRAWN	CHECKED	APPROVED

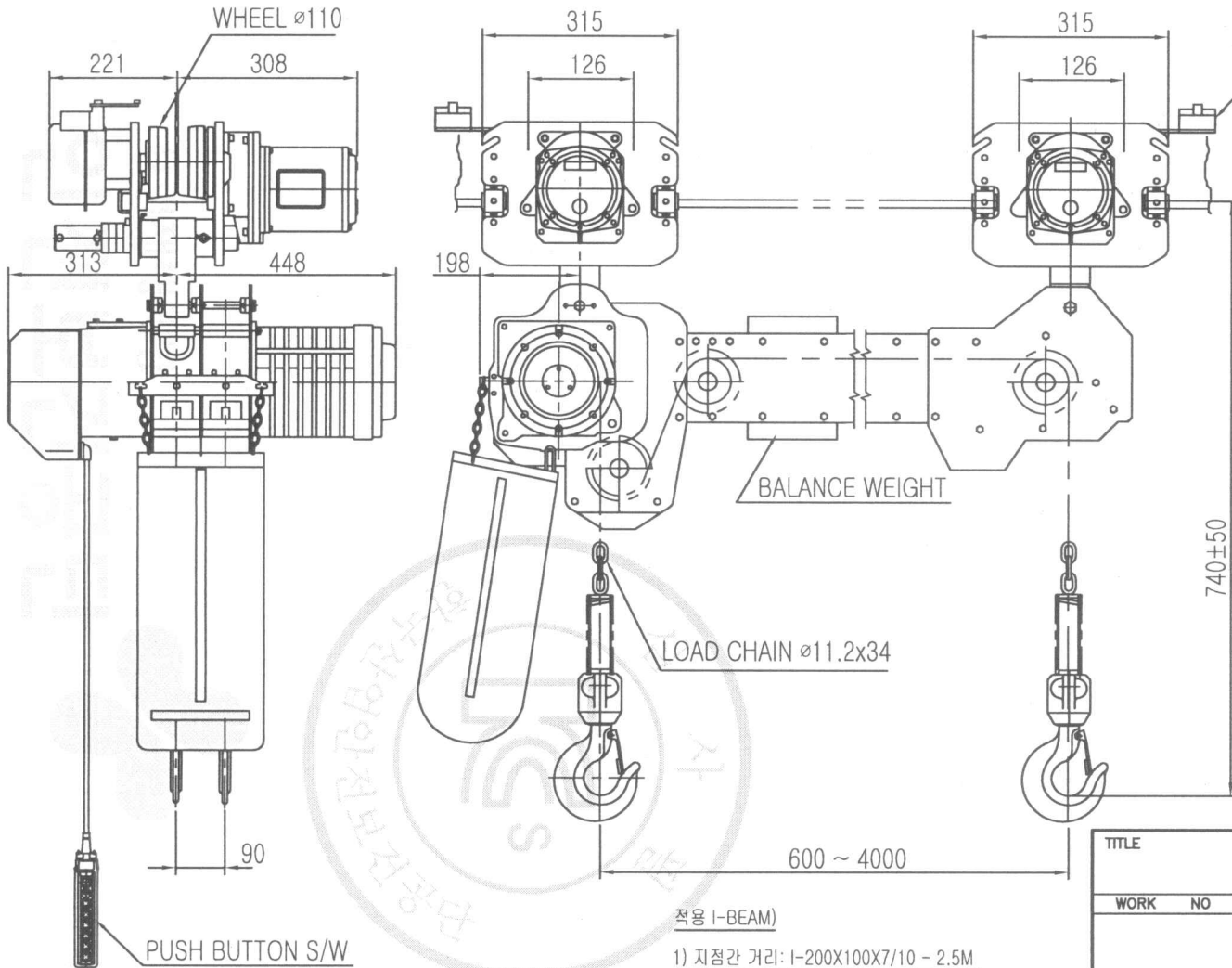
TITLE						PROJECTION	
ELECTRIC CHAIN HOIST							
WORK NO		WORK NAME				SCALE	Q' TY
		LK-DHDAM-2S				N S	1
DRAWN	CHECKED	REVIEWED	APPROVED	DRAWING NO			
김 창 기				CORD NO			
2010.08.01							
L K HOIST CO., LTD.							

열변복제 및 배포금지

ON GMD

L K HOIST

NO	DESCRIPTION	SIZE	MAT' L	Q' TY	WT (kg)	REMARKS



SPECIFICATION

		LK-DHDAM-2S		
RATED LOAD	(TON)	2.0		
TESTING LOAD	(TON)	2.5		
LIFTING HEIGHT	(M)	40		
HOISTING	SPEED (M/MIN)	8.1		
	MOTOR (KW)	3.5kw x 4p		
TRAVERSING	SPEED (M/MIN)	21	14	21/7
	MOTOR (KW)	0.75kwx4p-2set	0.4kwx6p-2set	0.75/0.25kwx4/12p-2set
POWER SUPPLY		AC220.380.440.460.480Vx3ø x 60 Hz		
OPERATING METHOD		P.B type ON . FL		
LOAD CHAIN		ø11.2 X 34 (1FALL)		
WEIGHT	(KG)	600		
I-BEAM 적용폭		100 ~ 190MM		

NOTE)

- 1)점검 설비를 갖출 것
- 2)인허가 서류를 완성검사시 제출 할 것

적용 I-BEAM)

- 1) 지점간 거리: I-200X100X7/10 - 2.5M
- 2) 지점간거리 : I-250X125X7.5/12.5-4.0M
- 3) 지점간거리 : I-300X150X10/18.5-7.0M
- 4) 지점간거리 : I-450X175X13/26-10M
- 5) 지점간거리 : I-600X190X13/25-15M

REV.NO	DATE	REVISION	DESCRIPTION	DRAWN	CHECKED	APPROVED

TITLE						PROJECTION	
ELECTRIC CHAIN HOIST							
WORK NO		WORK NAME				SCALE	
		LK-DHDAM-2S				Q' TY	
						N S 1	
DRAWN	CHECKED	REVIEWED	APPROVED	DRAWING NO			
김창기							
2010.08.01				CORD NO			

물범목재 및 배포금재