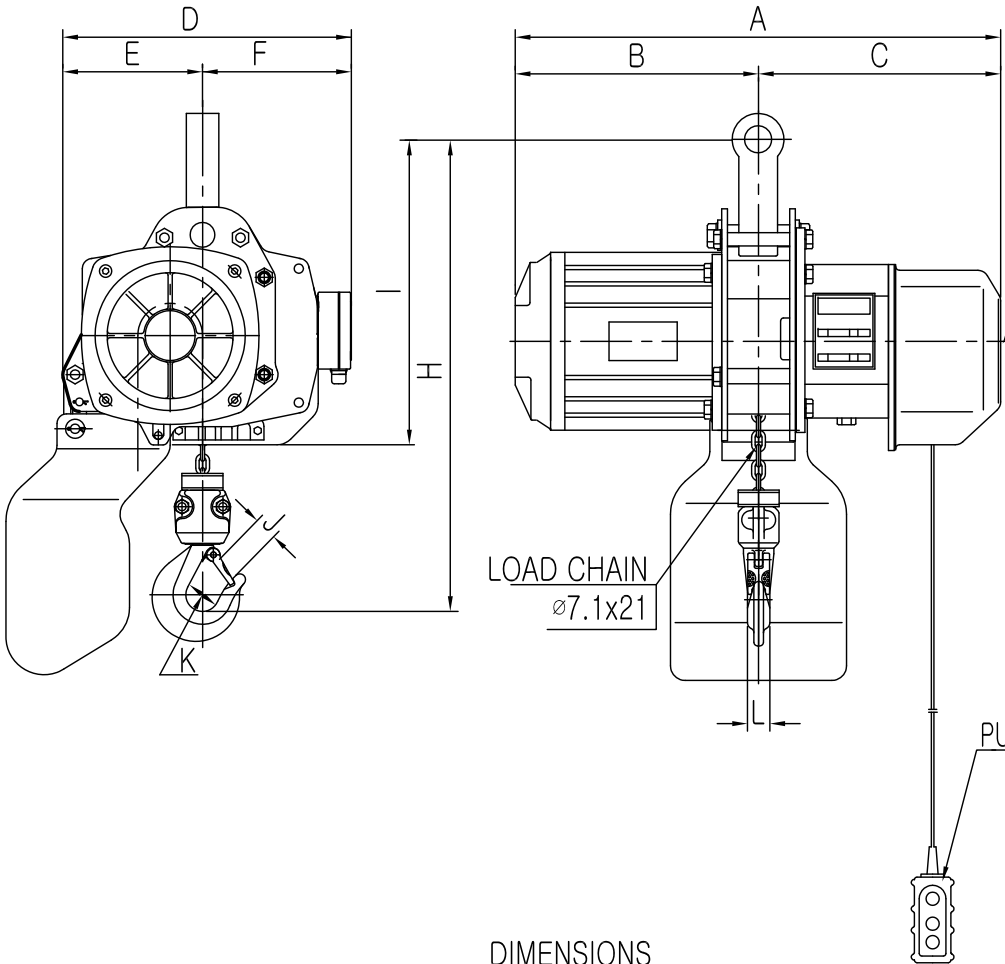


ON 3MD

L K HOIST

NO	DESCRIPTION	SIZE	MAT' L	Q' TY	WT (kg)	REMARKS

제조일 : 0000-00-00
 형식번호 : 00-000-00
 정격하중 : 00-000-00
 제조자 : (주)LK



SPECIFICATION

		LTS-1S
RATED LOAD	(TON)	1.0
TESTING LOAD	(TON)	1.25
LIFTING HEIGHT	(M)	50
HOISTING	SPEED (M/MIN)	6.5
	MOTOR (KW)	1.5 x 4p
WEIGHT	(KG)	106
POWER SUPPLY	AC220 V x 1 ϕ x 60 Hz	
OPERATING METHOD	P.B type ON . FL	
LOAD CHAIN	ϕ 7.1 X 21 (1FALL)	

NOTE)

- 1) 점검 설비를 갖출 것
- 2) 인허가 서류를 완성검사시 제출 할 것

DIMENSIONS

MODEL	CAPACITY (ton)	A	B	C	D	E	F	H	I	J	K	L
LTS-1S	1	535	262	273	336	145	191	420	326	25	35	24

TITLE				PROJECTION	
CHAIN HOIST LTS-1S					
WORK NO	WORK NAME			SCALE	Q' TY
	CONNECTOR TYPE			N S	1
DRAWN	CHECKED	REVIEWED	APPROVED	DRAWING NO	
김창기					
2015.12.07					

REV.NO	DATE	REVISION	DESCRIPTION	DRAWN	CHECKED	APPROVED



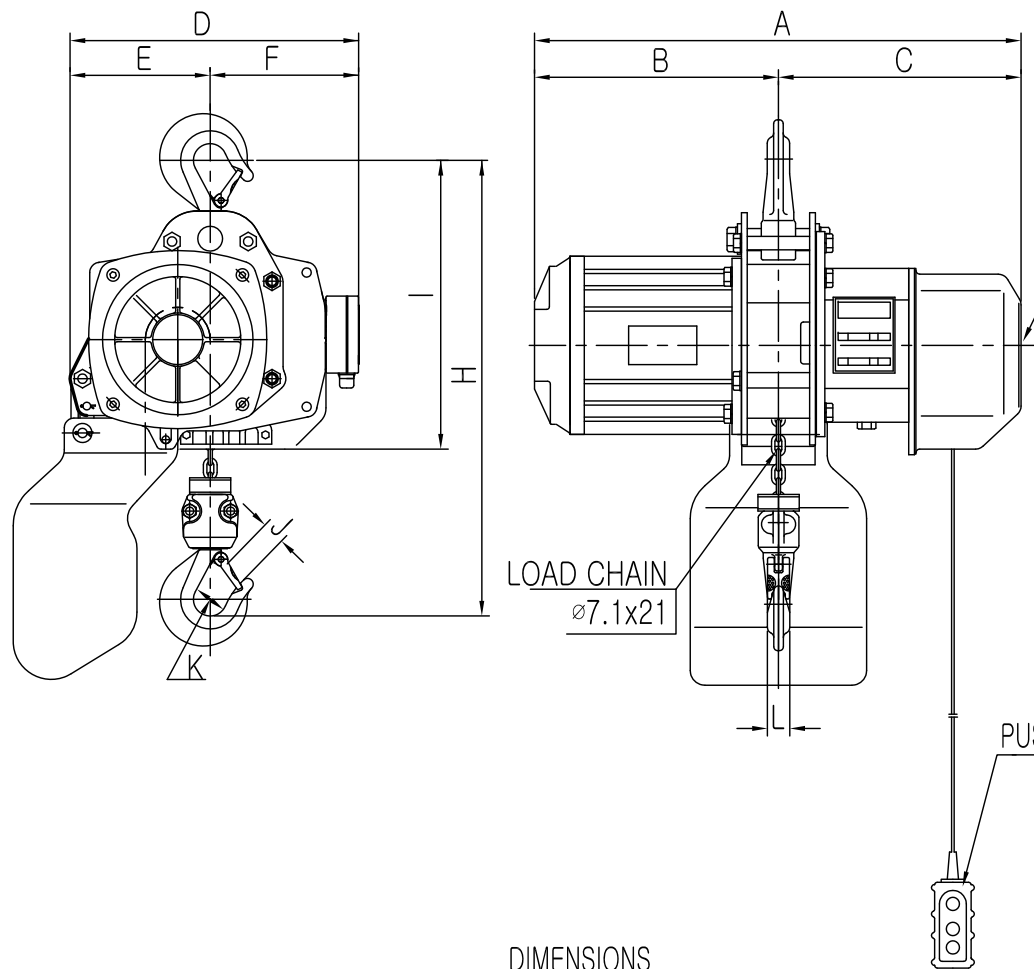
L K HOIST CO., LTD.

ON 9MD

L K HOIST

NO	DESCRIPTION	SIZE	MAT'L	Q'TY	WT (kg)	REMARKS

제조일 : 0000-00-00
 형식번호 : 00-000-00
 정격하중 : 00-000-00
 제조자 : (주)LK



SPECIFICATION

		LTS-1S
RATED LOAD	(TON)	1.0
TESTING LOAD	(TON)	1.25
LIFTING HEIGHT	(M)	50
HOISTING	SPEED (M/MIN)	6.5
	MOTOR (KW)	1.5 x 4p
WEIGHT	(KG)	106
POWER SUPPLY		AC220 V x 1ø x 60 Hz
OPERATING METHOD		P.B type ON . FL
LOAD CHAIN		ø7.1 X 21 (1FALL)

NOTE)

- 1)점검 설비를 갖출 것
- 2)인허가 서류를 완성검사시 제출 할 것

DIMENSIONS

MODEL	CAPACITY (ton)	A	B	C	D	E	F	H	I	J	K	L
LTS-1S	1	535	262	273	336	145	191	420	326	25	35	24

TITLE					PROJECTION	
CHAIN HOIST LTS-1S						
WORK NO	WORK NAME			SCALE	Q'TY	
	HOOK TYPE			N S	1	
DRAWN	CHECKED	REVIEWED	APPROVED	DRAWING NO		
김 창 기						
2015.12.07						

REV.NO	DATE	REVISION	DESCRIPTION	DRAWN	CHECKED	APPROVED