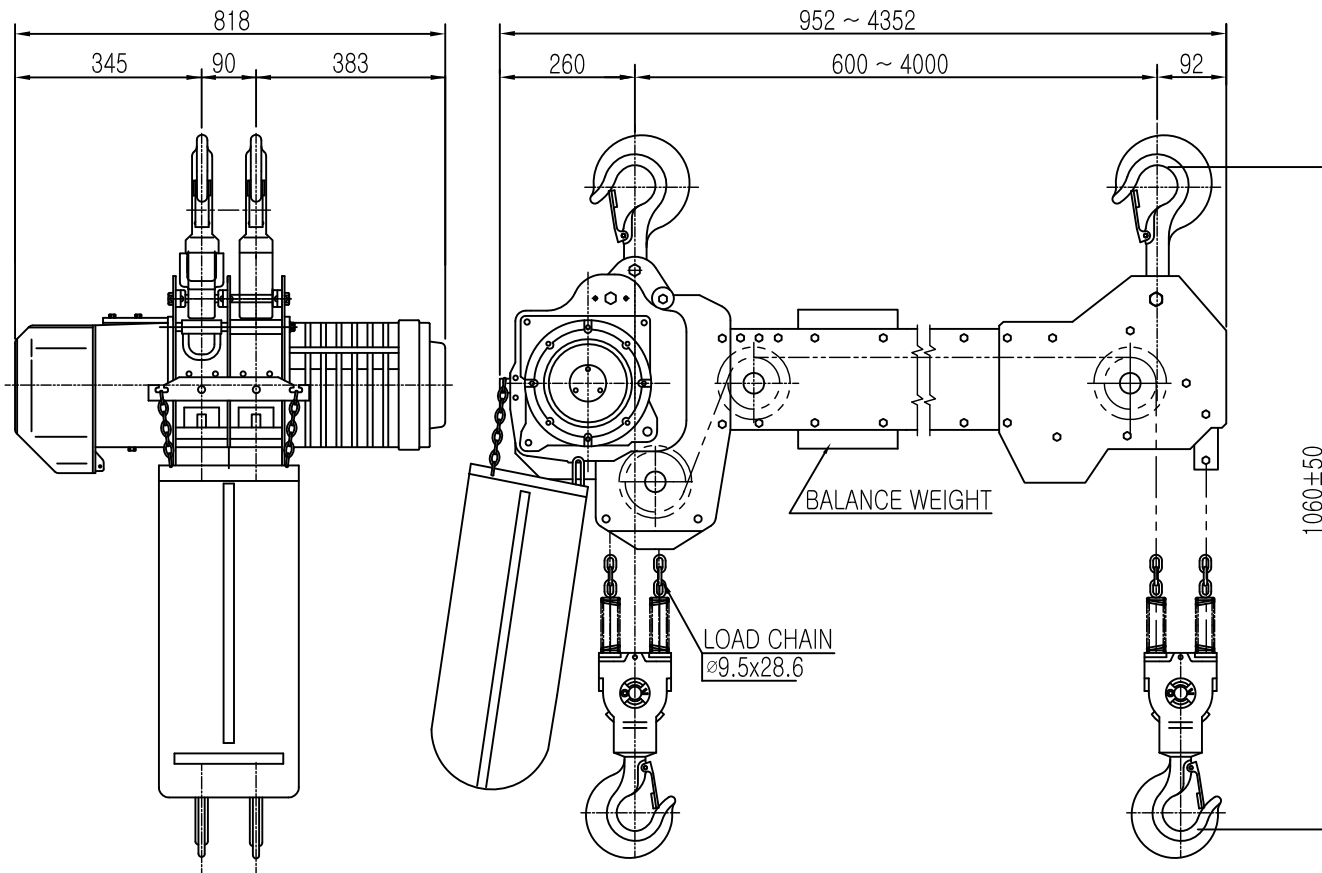


ON 9MG

L K HOIST

| NO | DESCRIPTION | SIZE | MAT' L | Q' TY | WT (kg) | REMARKS |
|----|-------------|------|--------|-------|---------|---------|
| | | | | | | |



| SPECIFICATION | | |
|------------------|--------------------------------------|------------------|
| RATED | 3.0 | TON |
| TESTING LOAD | 3.75 | TON |
| LIFTING HEIGHT | 50 | M |
| HOISTING | SPEED | 5.15/1.7 M/MIN |
| | MOTOR | 4.4/2.2KW x 2/6P |
| TRAVERSING | SPEED | - |
| | MOTOR | - |
| POWER SUPPLY | AC220,380,440,460,480 V x 3ø x 60 Hz | |
| OPERATING METHOD | P.B type ON . FL | |
| LOAD CHAIN | ø9.5 x 28.6 (2FALL) | |
| WIEGHT | 800 KG | |

NOTE)

- 1) 점검 설비를 갖출것.
- 2) 인허가 서류를 완성검사시 제출할것.

| REV.NO | DATE | REVISION | DESCRIPTION | DRAWN | CHECKED | APPROVED |
|--------|------|----------|-------------|-------|---------|----------|
| | | | | | | |

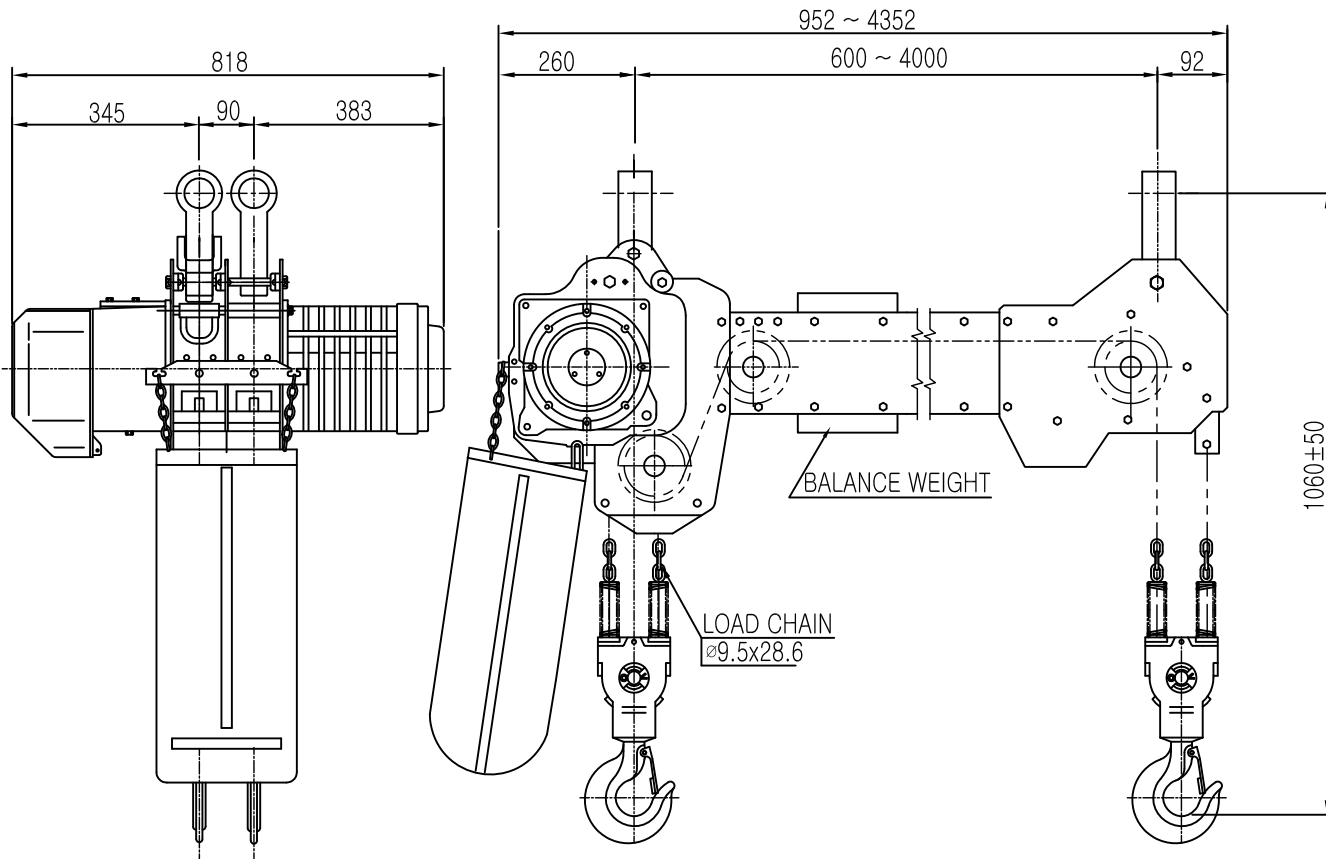
| TITLE | | | | PROJECTION | |
|------------------------------|-----------|----------|----------|------------|-------|
| DHDB-3W ELECTRIC CHAIN HOIST | | | | | |
| WORK NO | WORK NAME | | | SCALE | Q' TY |
| | HOOK TYPE | | | N.S | 1 |
| DRAWN | CHECKED | REVIEWED | APPROVED | DRAWING NO | |
| 김 창 기 | | | | CORD NO | |
| 2010.08.01 | | | | | |

LK L K HOIST CO., LTD.

L K HOIST

ON 3MD

| NO | DESCRIPTION | SIZE | MAT' L | Q' TY | WT (kg) | REMARKS |
|----|-------------|------|--------|-------|---------|---------|
| | | | | | | |



| SPECIFICATION | | |
|------------------|--------------------------------------|------------------|
| RATED | 3.0 | TON |
| TESTING LOAD | 3.75 | TON |
| LIFTING HEIGHT | 50 | M |
| HOISTING | SPEED | 5.15/1.7 M/MIN |
| | MOTOR | 4.4/2.2KW x 2/6P |
| TRAVERSING | SPEED | - |
| | MOTOR | - |
| POWER SUPPLY | AC220,380,440,460,480 V x 3ø x 60 Hz | |
| OPERATING METHOD | P.B type ON . FL | |
| LOAD CHAIN | ø9.5 x 28.6 (2FALL) | |
| WIEGHT | 800 KG | |

NOTE)

- 1) 점검 설비를 갖출것.
- 2) 인허가 서류를 완성검사시 제출할것.

| REV.NO | DATE | REVISION | DESCRIPTION | DRAWN | CHECKED | APPROVED |
|--------|------|----------|-------------|-------|---------|----------|
| | | | | | | |

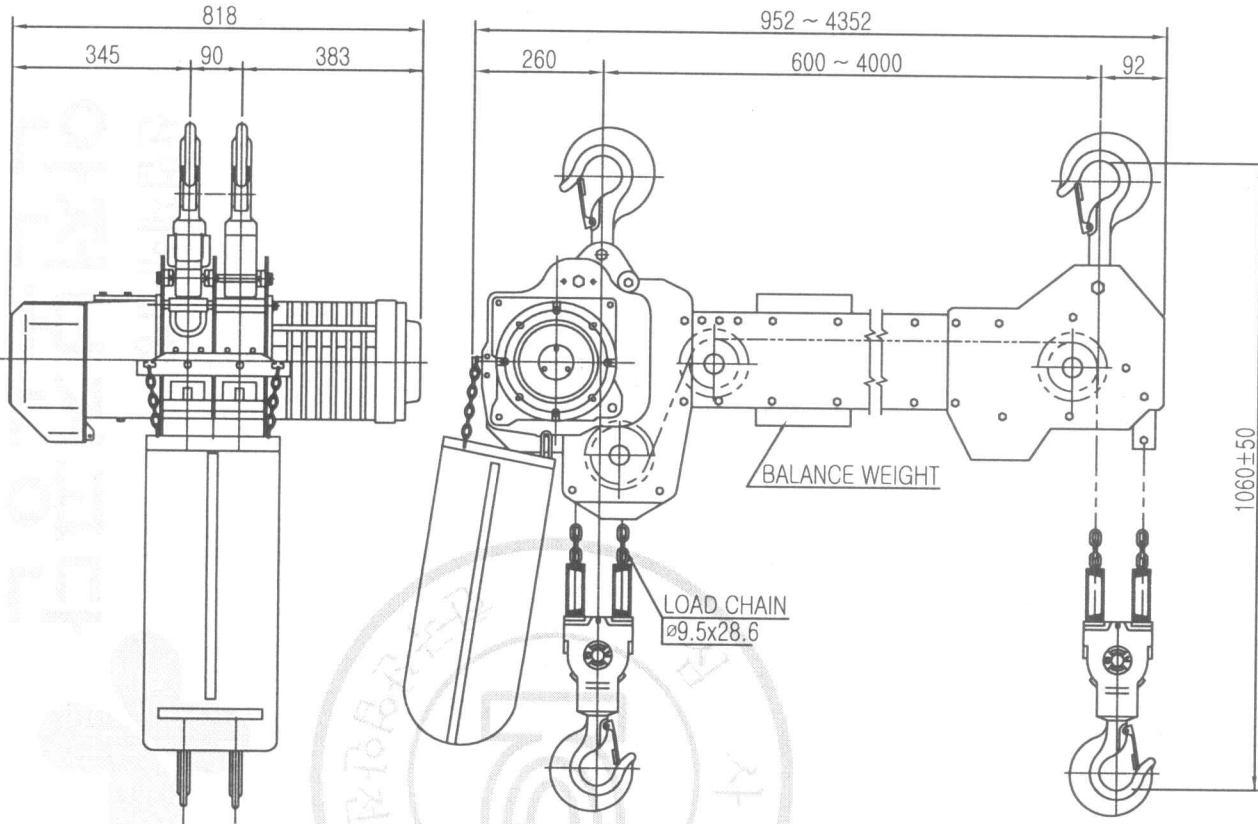
| TITLE | | | | PROJECTION | |
|------------------------------|----------------|----------|----------|------------|---------|
| DHDB-3W ELECTRIC CHAIN HOIST | | | | | |
| WORK NO | WORK NAME | | | SCALE | Q' TY |
| | CONNECTOR TYPE | | | N.S | 1 |
| DRAWN | CHECKED | REVIEWED | APPROVED | DRAWING NO | CORD NO |
| 김 창 기 | | | | | |
| 2010.08.01 | | | | | |

LK L K HOIST CO., LTD.

ON 3MD

L K HOIST

| NO | DESCRIPTION | SIZE | MAT L | Q' TY | WT (kg) | REMARKS |
|----|-------------|------|-------|-------|---------|---------|
| | | | | | | |



| SPECIFICATION | | |
|------------------|--------------------------------------|------------------|
| RATED | 3.0 | TON |
| TESTING LOAD | 3.75 | TON |
| LIFTING HEIGHT | 50 | M |
| HOISTING | SPEED | 5.15/1.7 M/MIN |
| | MOTOR | 4.4/2.2KW x 2/6P |
| TRAVERSING | SPEED | - |
| | MOTOR | - |
| POWER SUPPLY | AC220,380,440,460,480 V x 3φ x 60 Hz | |
| OPERATING METHOD | P.B type ON . FL | |
| LOAD CHAIN | φ9.5 x 28.6 (2FALL) | |
| WIEGHT | 800 KG | |

NOTE)

- 1) 점검 설비를 갖출것.
- 2) 인허가 서류를 완성검사시 제출할것.

물범복제 및 배포금지

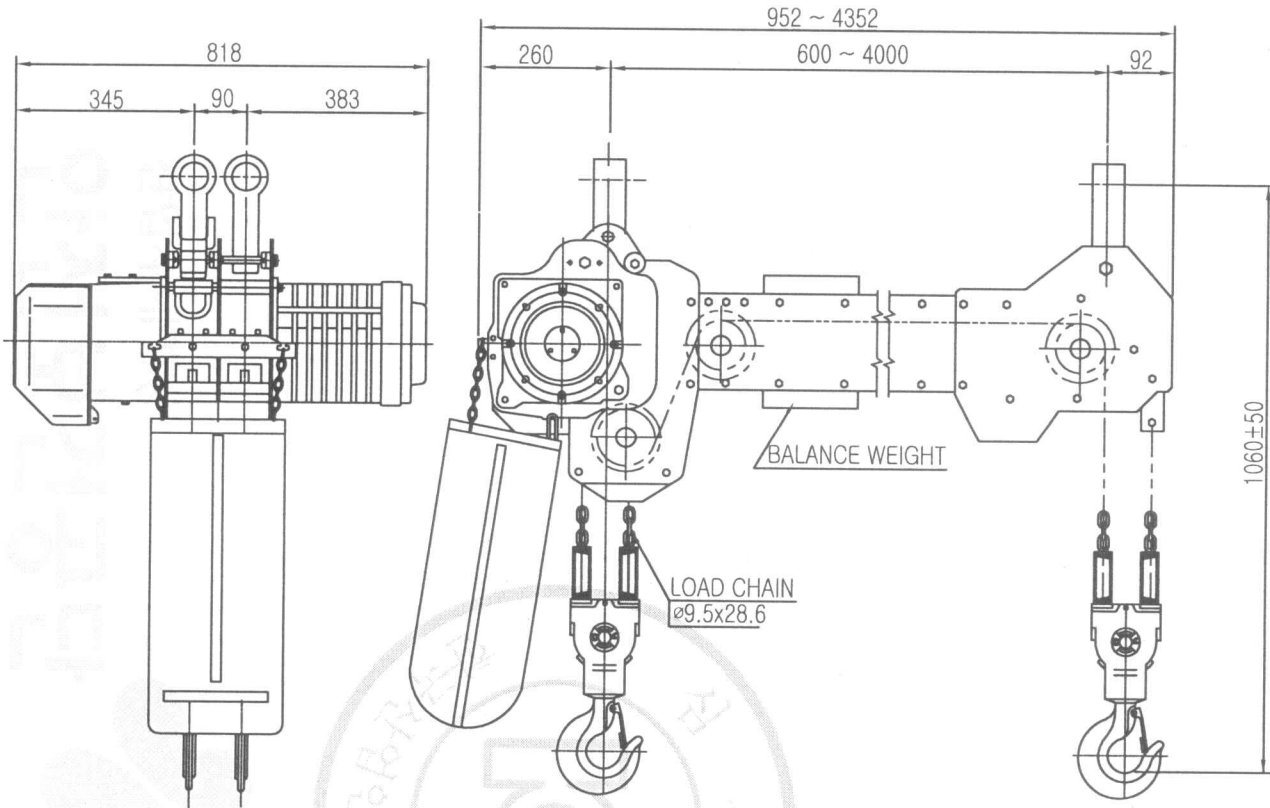
| REV.NO | DATE | REVISION | DESCRIPTION | DRAWN | CHECKED | APPROVED |
|--------|------|----------|-------------|-------|---------|----------|
| | | | | | | |

| TITLE | | | | | PROJECTION | |
|------------------------------|-----------|----------|----------|------------|------------|-------|
| DHDB-3W ELECTRIC CHAIN HOIST | | | | | | |
| WORK NO | WORK NAME | | | | SCALE | Q' TY |
| | HOOK TYPE | | | | N.S | 1 |
| DRAWN | CHECKED | REVIEWED | APPROVED | DRAWING NO | | |
| 김창기 | | | | CORD NO | | |
| 2010.08.01 | | | | | | |
| L K HOIST CO., LTD. | | | | | | |

ON 9MD

L K HOIST

| NO | DESCRIPTION | SIZE | MAT' L | Q' TY | WT (kg) | REMARKS |
|----|-------------|------|--------|-------|---------|---------|
| | | | | | | |



| SPECIFICATION | | |
|------------------|--------------------------------------|------------------|
| RATED | 3.0 | TON |
| TESTING LOAD | 3.75 | TON |
| LIFTING HEIGHT | 50 | M |
| HOISTING | SPEED | 5.15/1.7 M/MIN |
| | MOTOR | 4.4/2.2KW x 2/6P |
| TRAVERSING | SPEED | - |
| | MOTOR | - |
| POWER SUPPLY | AC220,380,440,460,480 V x 3ø x 60 Hz | |
| OPERATING METHOD | P.B type ON . FL | |
| LOAD CHAIN | ø9.5 x 28.6 (2FALL) | |
| WIEGHT | 800 KG | |

NOTE)

- 1) 점검 설비를 갖출것.
- 2) 인허가 서류를 완성검사시 제출할것.

물범복제 및 배포금지

| REV.NO | DATE | REVISION | DESCRIPTION | DRAWN | CHECKED | APPROVED |
|--------|------|----------|-------------|-------|---------|----------|
| | | | | | | |

| TITLE | | | | | PROJECTION | |
|------------------------------|----------------|----------|----------|------------|------------|-------|
| DHDB-3W ELECTRIC CHAIN HOIST | | | | | | |
| WORK NO | WORK NAME | | | | SCALE | Q' TY |
| | CONNECTOR TYPE | | | | N.S | 1 |
| DRAWN | CHECKED | REVIEWED | APPROVED | DRAWING NO | | |
| 김창기 | | | | CORD NO | | |
| 2010.08.01 | | | | | | |
| L K HOIST CO., LTD. | | | | | | |