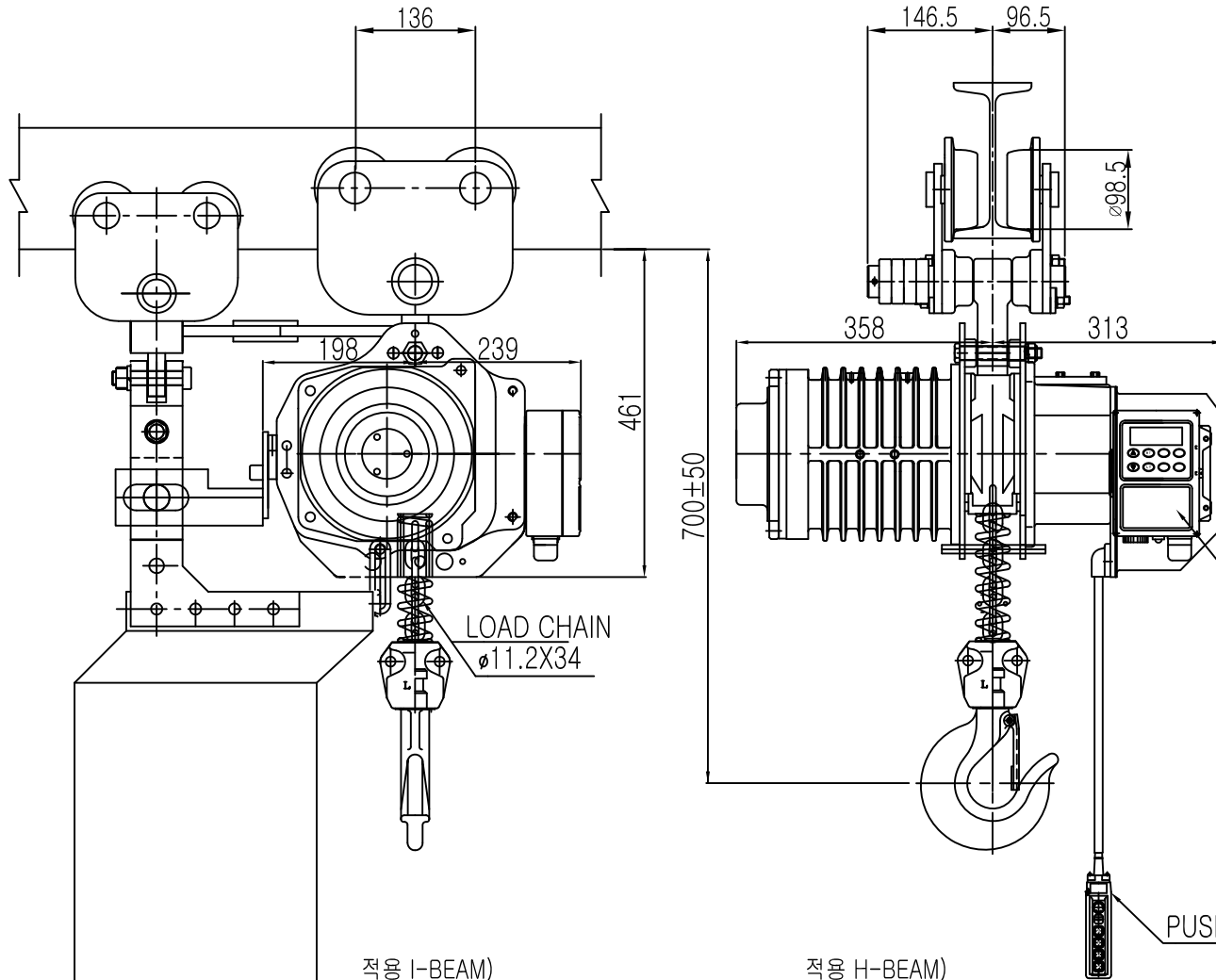


L K HOIST

NO	DESCRIPTION	SIZE	MAT' L	Q' TY	WT (kg)	REMARKS



SPECIFICATION

		LK-DAP-1.9S-50		
RATED LOAD (TON)		1.9		
TESTING LOAD (TON)		2.375		
LIFTING HEIGHT (M)		50		
HOISTING	SPEED (M/MIN)	8.1		
	MOTOR (KW)	3.5kw x 4p		
TRAVERSING	SPEED (M/MIN)	-	-	-
	MOTOR (KW)	-	-	-
POWER SUPPLY	AC220.380.440.460.480Vx3 ϕ x 60 Hz			
OPERATING METHOD	P.B type ON . FL			
LOAD CHAIN	$\phi 11.2 \times 34$ (1FALL)			
WEIGHT (KG)	280KG			
I-BEAM 적용폭	100 ~ 175MM			
H-BEAM 적용폭	100 ~ 200MM			

LOAD LIMITER

NOTE)

- 1) 점검 설비를 갖출 것
- 2) 인허가 서류를 완성검사시 제출 할 것

PUSH BUTTON S/W

적용 I-BEAM)

- 1) 지점간 거리: I-200X100X7/10-3.0M
- 2) 지점간거리 : I-250X125X7.5/12.5-5.0M
- 3) 지점간거리 : I-300X150X10/18.5-7.5M
- 4) 지점간거리 : I-450X175X13/26-12M

적용 H-BEAM)

- 1) 지점간 거리: H-200X100X5.5/8-2.5M
- 2) 지점간거리 : H-250X125X6/9-4.5M
- 3) 지점간거리 : H-300X150X6.5/9-6.0M
- 4) 지점간거리 : H-450X200X9/14-11.5M

TITLE				PROJECTION	
ELECTRIC CHAIN HOIST					
WORK NO	WORK NAME			SCALE	Q' TY
	LK-DAP-1.9S-50				1
DRAWN	CHECKED	REVIEWED	APPROVED	DRAWING NO	
김 창 기				CODE NO	
2010.08.01					



L K HOIST CO., LTD.

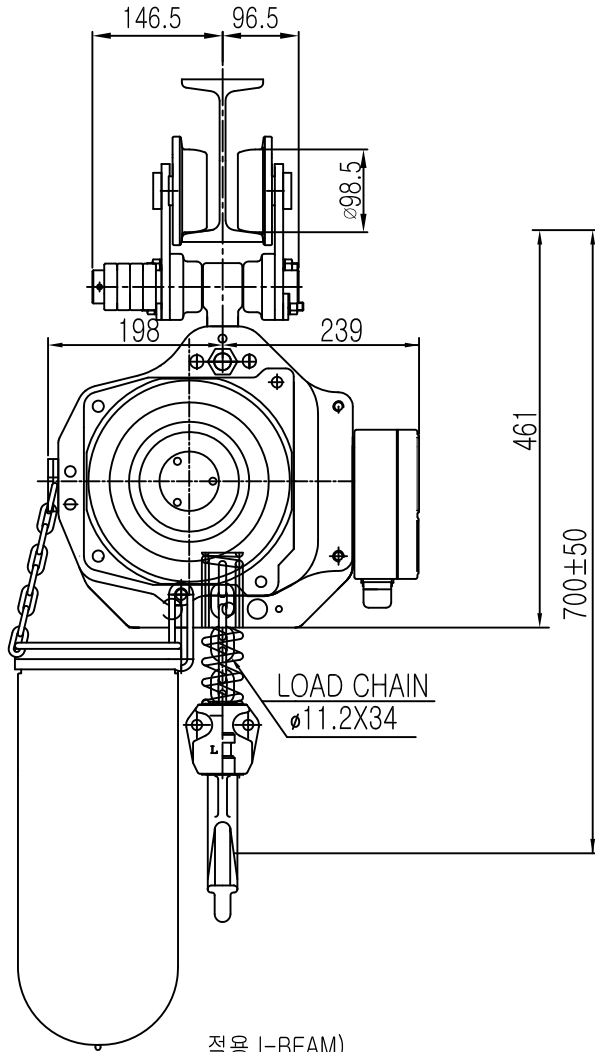
REV.NO	DATE	REVISION	DESCRIPTION	DRAWN	CHECKED	APPROVED

L K HOIST

NO	DESCRIPTION	SIZE	MAT' L	Q' TY	WT (kg)	REMARKS

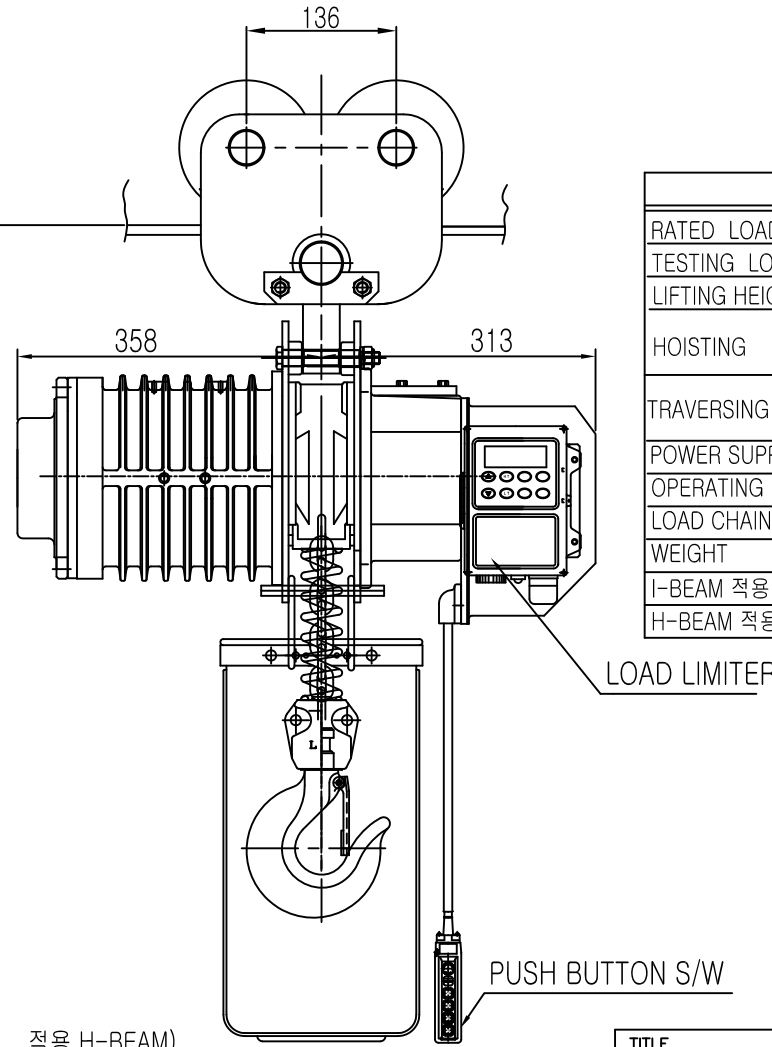
SPECIFICATION

		LK-DAP-1.9S-50	
RATED LOAD (TON)		1.9	
TESTING LOAD (TON)		2.375	
LIFTING HEIGHT (M)		50	
HOISTING	SPEED (M/MIN)	8.1	
	MOTOR (KW)	3.5kw x 4p	
TRAVERSING	SPEED (M/MIN)	-	-
	MOTOR (KW)	-	-
POWER SUPPLY	AC220.380.440.460.480Vx3ø x 60 Hz		
OPERATING METHOD	P.B type ON . FL		
LOAD CHAIN	ø11.2 X 34 (1FALL)		
WEIGHT (KG)	280KG		
I-BEAM 적용폭	100 ~ 175MM		
H-BEAM 적용폭	100 ~ 200MM		



적용 I-BEAM)

- 1) 지점간 거리: I-200X100X7/10-3.0M
- 2) 지점간거리 : I-250X125X7.5/12.5-5.0M
- 3) 지점간거리 : I-300X150X10/18.5-7.5M
- 4) 지점간거리 : I-450X175X13/26-12M



적용 H-BEAM)

- 1) 지점간 거리: H-200X100X5.5/8-2.5M
- 2) 지점간거리 : H-250X125X6/9-4.5M
- 3) 지점간거리 : H-300X150X6.5/9-6.0M
- 4) 지점간거리 : H-450X200X9/14-11.5M

NOTE)

- 1) 점검 설비를 갖출 것
- 2) 인허가 서류를 완성검사시 제출 할 것

TITLE		PROJECTION	
ELECTRIC CHAIN HOIST			
WORK NO	WORK NAME	SCALE	Q' TY
	LK-DAP-1.9S-50	N/S	1
DRAWN	CHECKED	REVIEWED	APPROVED
김 창 기			
2010.08.01			
DRAWING NO		CODE NO	
L K HOIST CO., LTD.			

REV.NO	DATE	REVISION DESCRIPTION	DRAWN	CHECKED	APPROVED