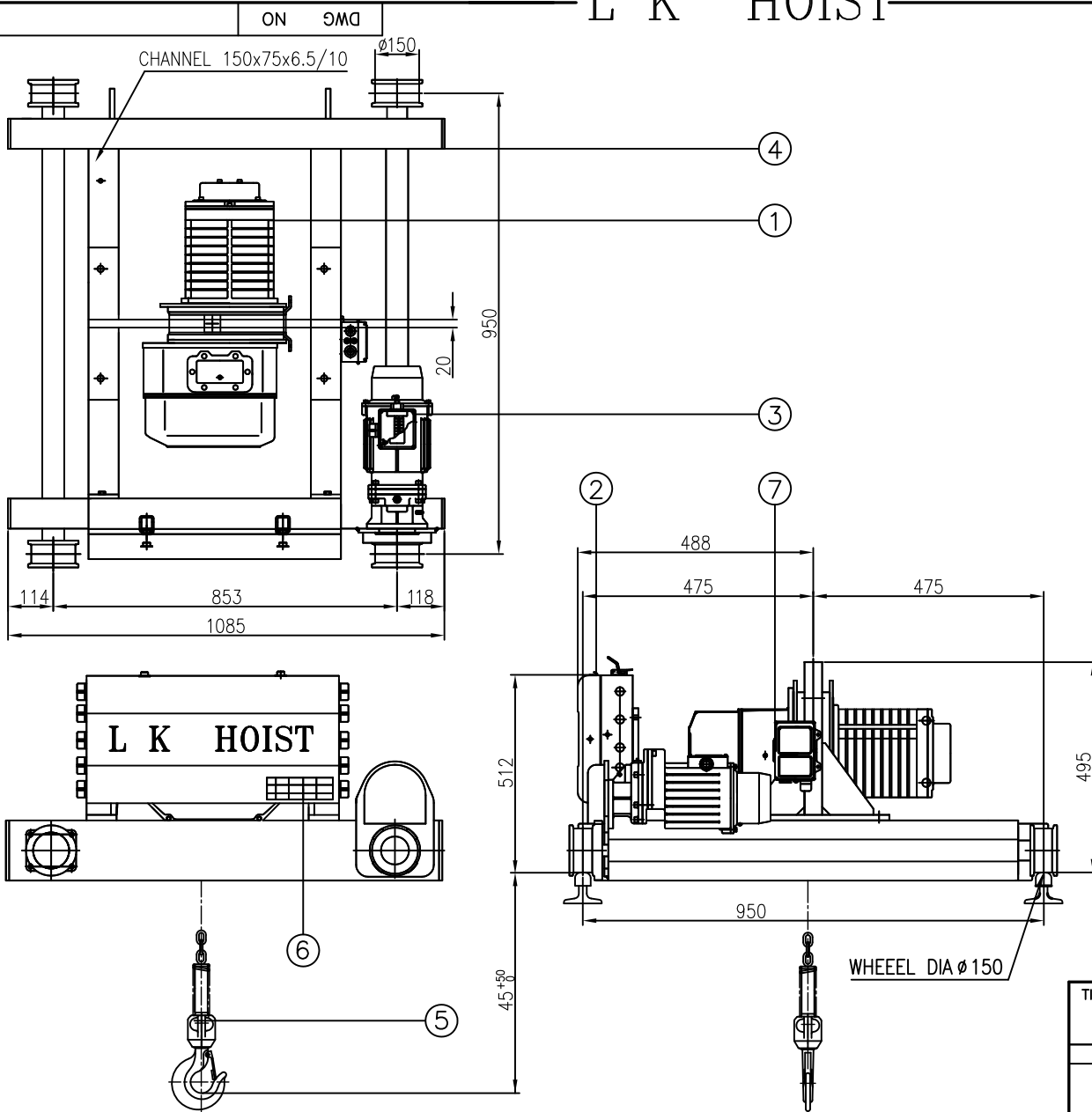


# L K HOIST



NO	DESCRIPTION	SIZE	MAT'	REMARKS
1	HOISTING MOTOR ASS'Y		1	
2	HOISTING CONTROL ASS'Y		1	
3	GEARD MOTOR ASS'Y		1	
4	GRAB PART ASS'Y		1	
5	BOTTOM HOOK ASS'Y		1	
6	NAME PLATE		1	
7	LOAD LIMITEER		1	

SPECIFICATION			
RATED LOAD	1		TON
TESTING LOAD	1.25		TON
LIFTING HEIGHT	30		M
HOISTING SPEED/MOTOR	8.2/2.7 m/min	1.8/0.7KW(2/6P)	
TRAVERSING SPEED/MOTOR	24m/min	0.75KW(4P)	
	16m/min	0.5KW(6P)	
17/5.4m/min * 0.75/0.25kw * 4/12p			
POWER SUPPLY	AC220,380,440,460V,480V x3ø x 60Hz		
OPERATING METHOD	P.B type ON . FL		
WIEGHT	220kg		
RAIL	15KG/M		
CHAIN 사양	ø7.1 X 21		
RAIL GgeR	950		

NOTE)

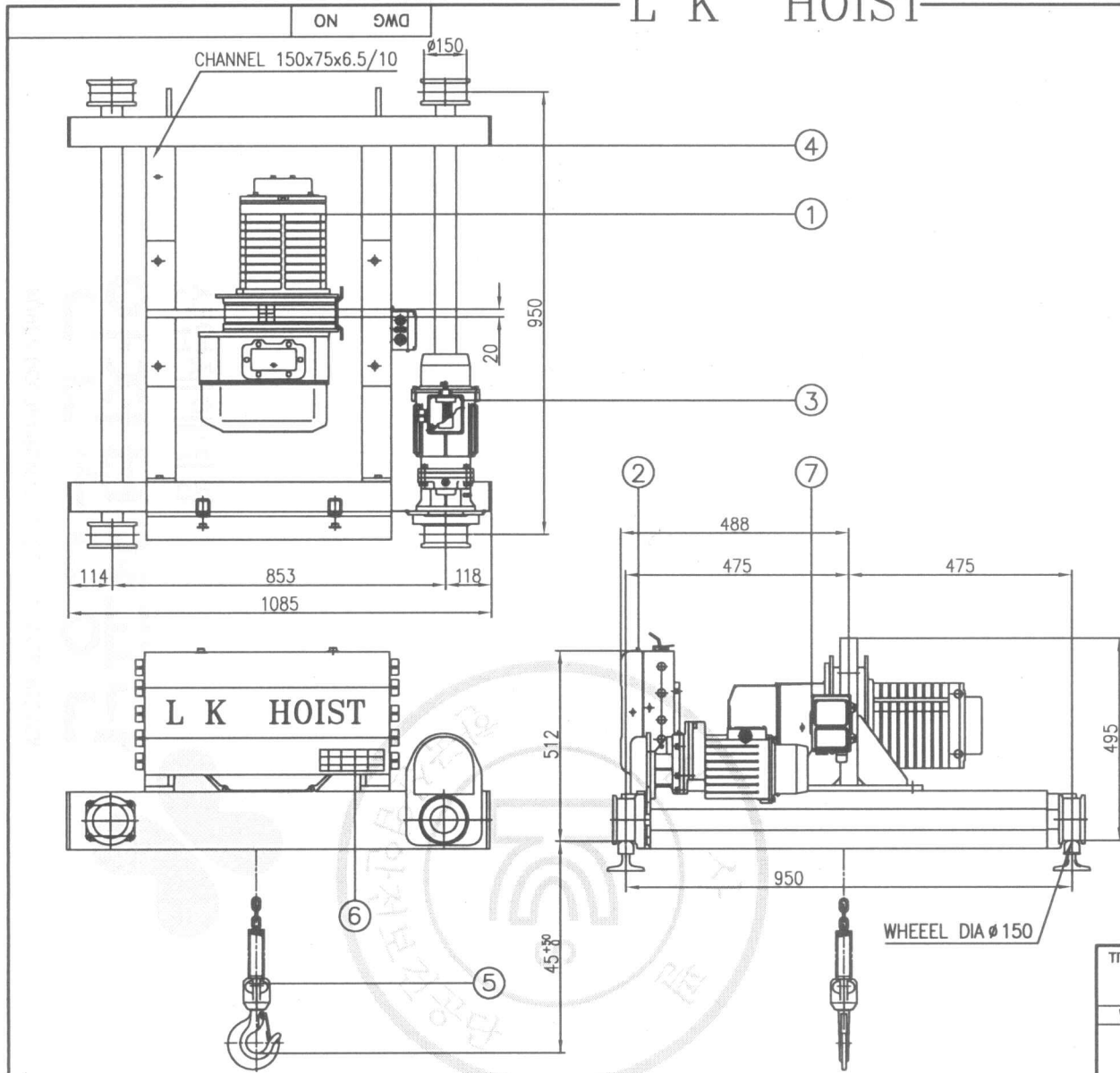
1. 점검 설비를 갖출 것.
2. 인허가 서류를 완성 검사시 제출 할 것.

TITLE				PROJECTION	
DBD-1S CHAIN HOIST					
WORK NO	WORK NAME			SCALE	Q' TY
	LK-DBD-1S				
DRAWN	CHECKED	REVIEWED	APPROVED	DRAWING NO	
김창기					
2010.09.16				CODE NO	
L K HOIST CO., LTD.					

가공별	치수	3-6	6-30	30-120	120-315	315-1000
선	삭	±0.1	±0.2	±0.3	±0.5	±0.8
구멍간	거리	±0.1	±0.2	±0.3	±0.5	±0.8

REV.NO	DATE	REVISION	DESCRIPTION	DRAWN	CHECKED	APPROVED

# L K HOIST



NO	DESCRIPTION	SIZE	MAT'	REMARKS
1	HOISTING MOTOR ASS'Y		1	
2	HOISTING CONTROL ASS'Y		1	
3	GEARD MOTOR ASS'Y		1	
4	GRAB PART ASS'Y		1	
5	BOTTOM HOOK ASS'Y		1	
6	NAME PLATE		1	
7	LOAD LIMITEER		1	

SPECIFICATION	
RATED LOAD	1 TON
TESTING LOAD	1.25 TON
LIFTING HEIGHT	30 M
HOISTING SPEED/MOTOR	8.2/2.7 m/min 1.8/0.7KW(2/6P)
TRAVERSING SPEED/MOTOR	24m/min 0.75KW(4P)
	16m/min 0.5KW(6P)
	17/5.4m/min * 0.75/0.25kw * 4/12p
POWER SUPPLY	AC220,380,440,460V,480V x3φ x 60Hz
OPERATING METHOD	P.B type ON . FL
WIEGHT	220kg
RAIL	15KG/M
CHAIN 사양	φ7.1 X 21
RAIL GgeR	950

NOTE)

1. 점검 설비를 갖출 것.
2. 인허가 서류를 완성 검사시 제출 할 것.

TITLE		PROJECTION	
DBD-1S CHAIN HOIST			
WORK NO	WORK NAME	SCALE	Q' TY
	LK-DBD-1S		
DRAWN	CHECKED	REVIEWED	APPROVED
김창기			
DRAWING NO	CODE	NO	
2010.09.16			

가공별 치수	3-6	6-30	30-120	120-315	315-1000
선삭	±0.1	±0.2	±0.3	±0.5	±0.8
구멍간 거리					

REV.NO	DATE	REVISION	DESCRIPTION	DRAWN	CHECKED	APPROVED

**L K HOIST CO., LTD.**

열린공회 및 배포금지