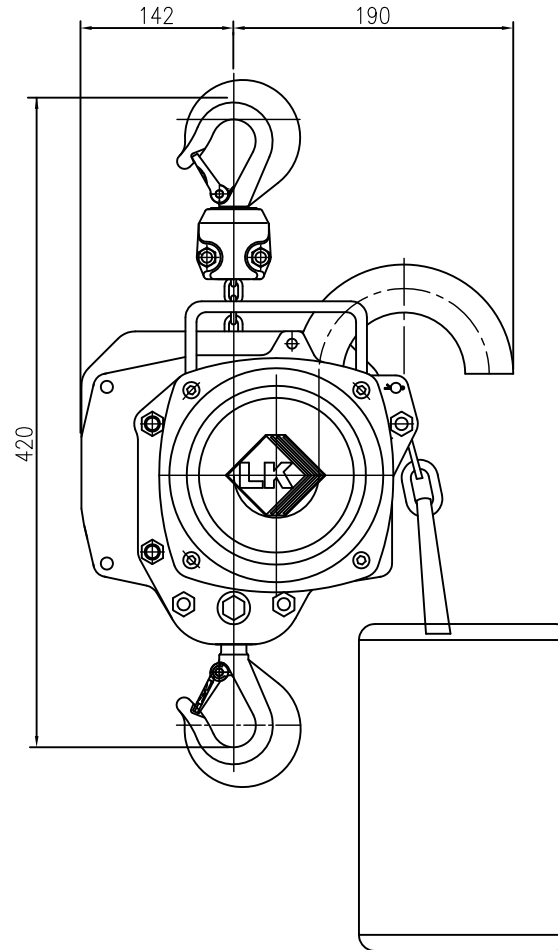
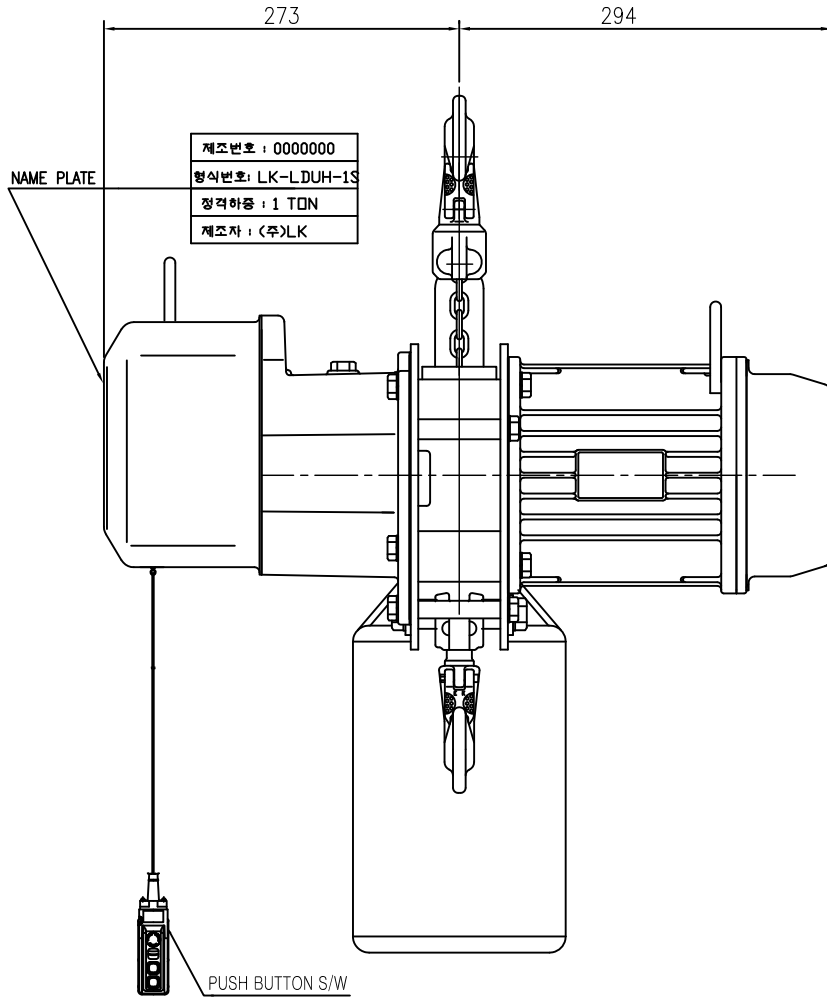


LK HOIST

ON 9N1WYD

NO	DESCRIPTION	SIZE	MAT' L	Q' TY	WT (kg)	REMARKS



SPECIFICATION	
RATED LOAD(TON)	1 TON
TESTING LOAD(TON)	1.25 TON
LIFTING HEIGHT(M)	60 M
HOISTING	SPEED 4.0 M/MIN
	MOTOR 1.5 KW x 6P x 1 SET
WEIGHT(KW)	120
POWER SUPPLY	AC220,380,440,460,480V x 3ø x 60 Hz
OPERATING METHOD	P.B type ON . FL
LOAD CHAIN	ø7.1 x 21

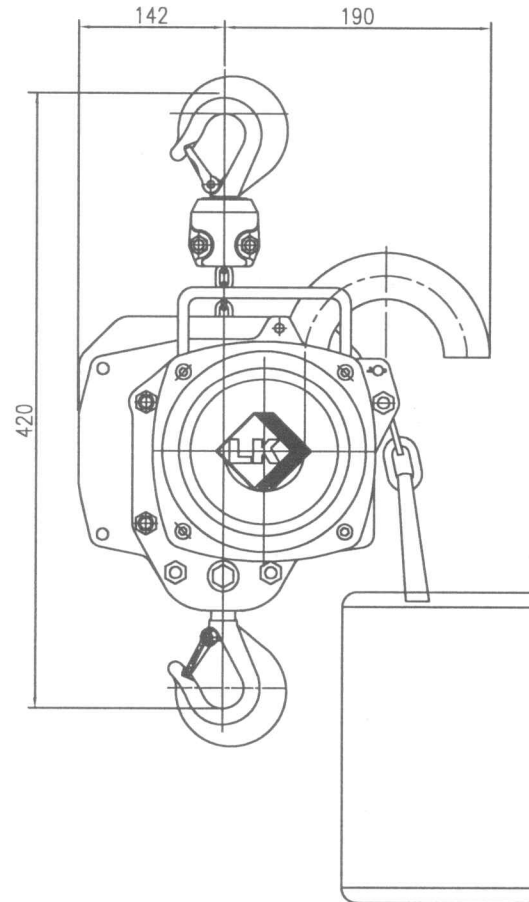
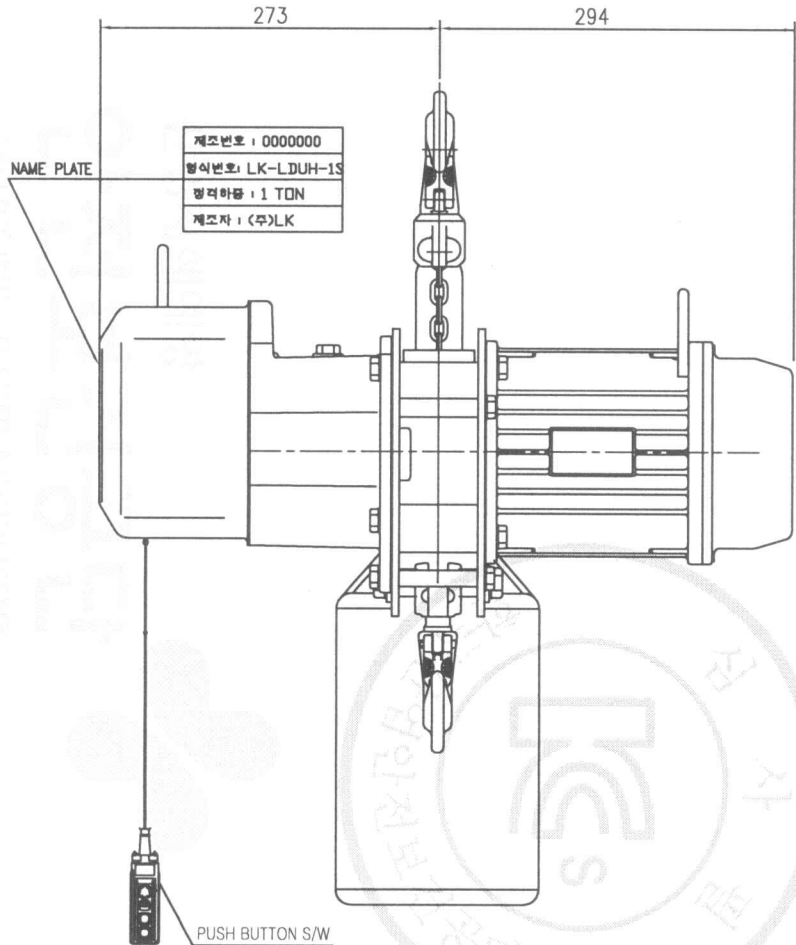
REV.NO	DATE	REVISION	DESCRIPTION	DRAWN	CHECKED	APPROVED

TITLE				PROJECTION	
LK-LDUH -1S ELECTRIC CHAIN HOIST					
WORK NO	WORK NAME			SCALE	Q' TY
				N S	1
DRAWN	CHECKED	REVIEWED	APPROVED	DRAWING NO	
김창기					
2010.10.11					
L K HOIST CO., LTD.					

LK HOIST

ON DNMVAD

NO	DESCRIPTION	SIZE	MAT'L	Q'TY	WT (kg)	REMARKS



SPECIFICATION	
RATED LOAD(TON)	1 TON
TESTING LOAD(TON)	1.25 TON
LIFTING HEIGHT(M)	60 M
HOISTING	SPEED 4.0 M/MIN
	MOTOR 1.5 KW x 6P x 1 SET
WEIGHT(KW)	120
POWER SUPPLY	AC220,380,440,460,480V x 3φ x 60 Hz
OPERATING METHOD	P.B type ON . FL
LOAD CHAIN	φ7.1 x 21

불법복제 및 배포금지

REV.NO	DATE	REVISION	DESCRIPTION	DRAWN	CHECKED	APPROVED

TITLE				PROJECTION	
LK-LDUH -1S ELECTRIC CHAIN HOIST					
WORK NO	WORK NAME			SCALE	Q'TY
				N S	1
DRAWN	CHECKED	REVIEWED	APPROVED	DRAWING NO	
김창기					
2010.10.11					
L K HOIST CO., LTD.					