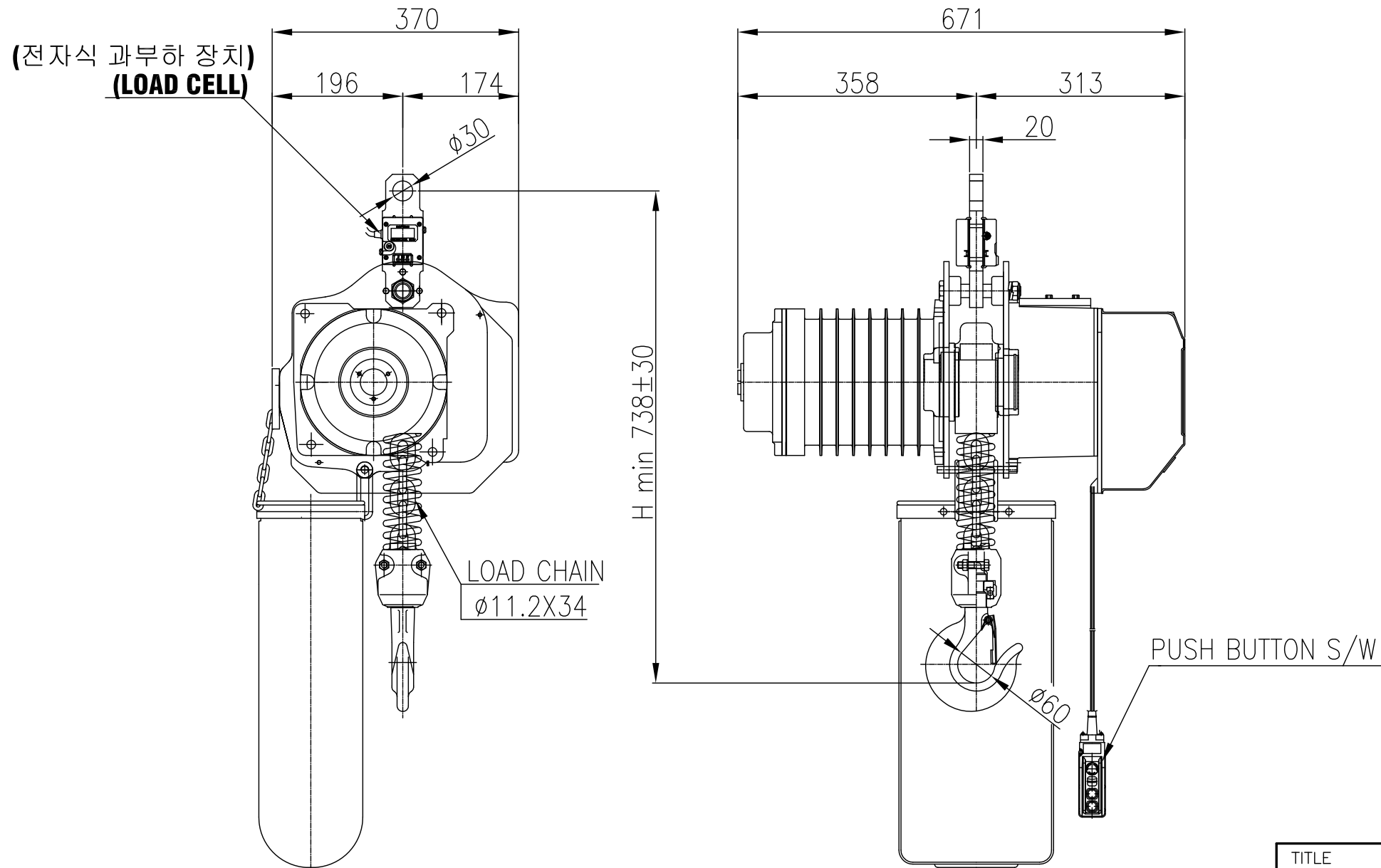


ON 9MG

L K HOIST

NO	DESCRIPTION	SIZE	MAT' L	Q' TY	WT (kg)	REMARKS



SPECIFICATION		
RATED LOAD	1 TON	
TESTING LOAD	1.25 TON	
LIFTING HEIGHT	50 M	
HOISTING	SPEED	0.65~6.5 M/MIN (인버터)
	MOTOR	3.5 KW x 1 SET
TRAVERSING	SPEED	- M/MIN
	MOTOR	-
POWER SUPPLY	AC220,380,440,460,480Vx3 ϕ x 60Hz	
OPERATING METHOD	P.B type ON . FL	
WIEGHT	252 kg	

TITLE				ELECTRIC CHAIN HOIST LK-SSEDA-1S		PROJECTION	
WORK NO		WORK NAME		SCALE		Q' TY	
				1/1		1	
DRAWN	CHECKED	REVIEWED	APPROVED	DRAWING NO			
KIM CH KI							
2018.09.05							