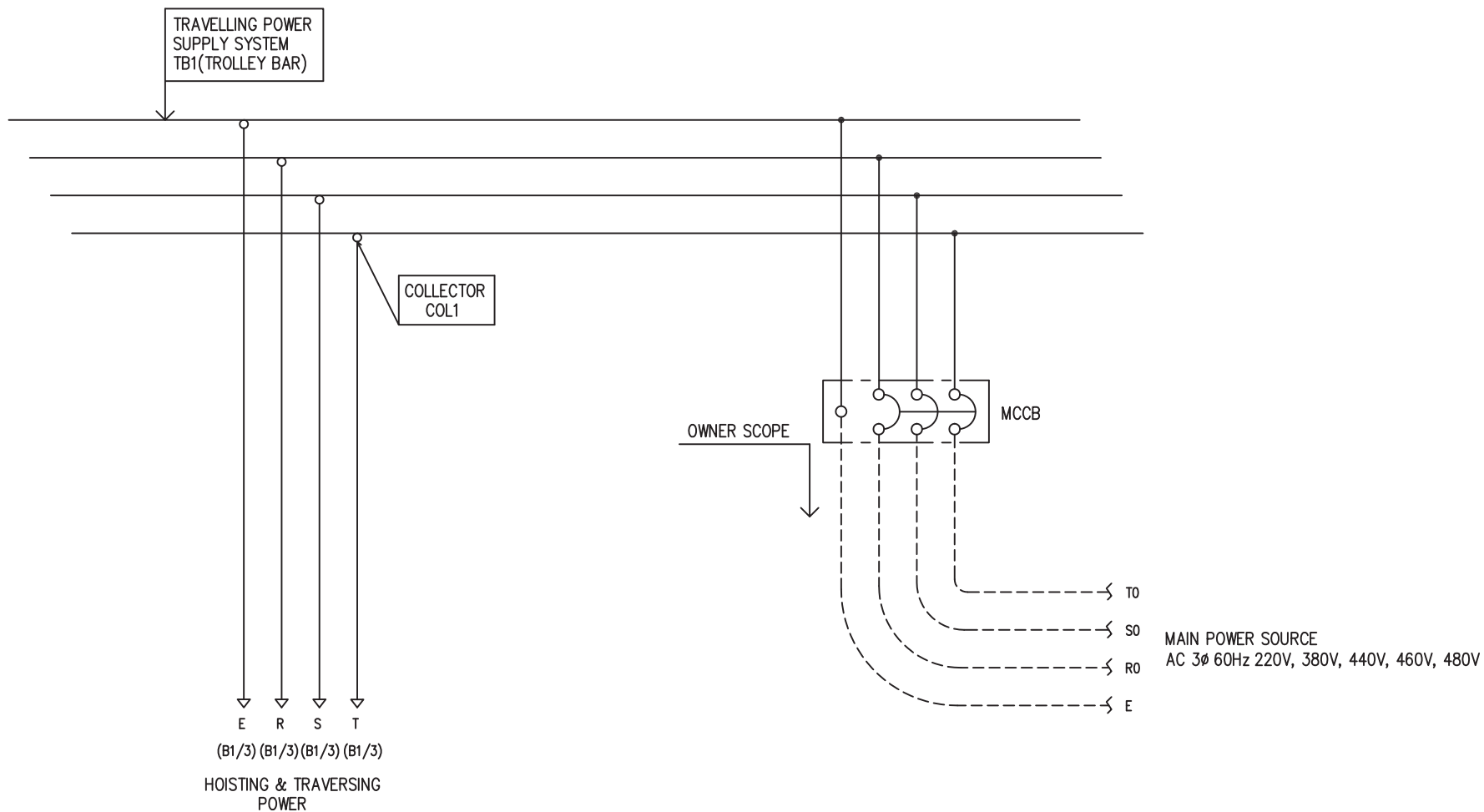


POWER CIRCUIT  
TRAVELLING POWER SUPPLY SYSTEM

ADDRESS NO.

A1

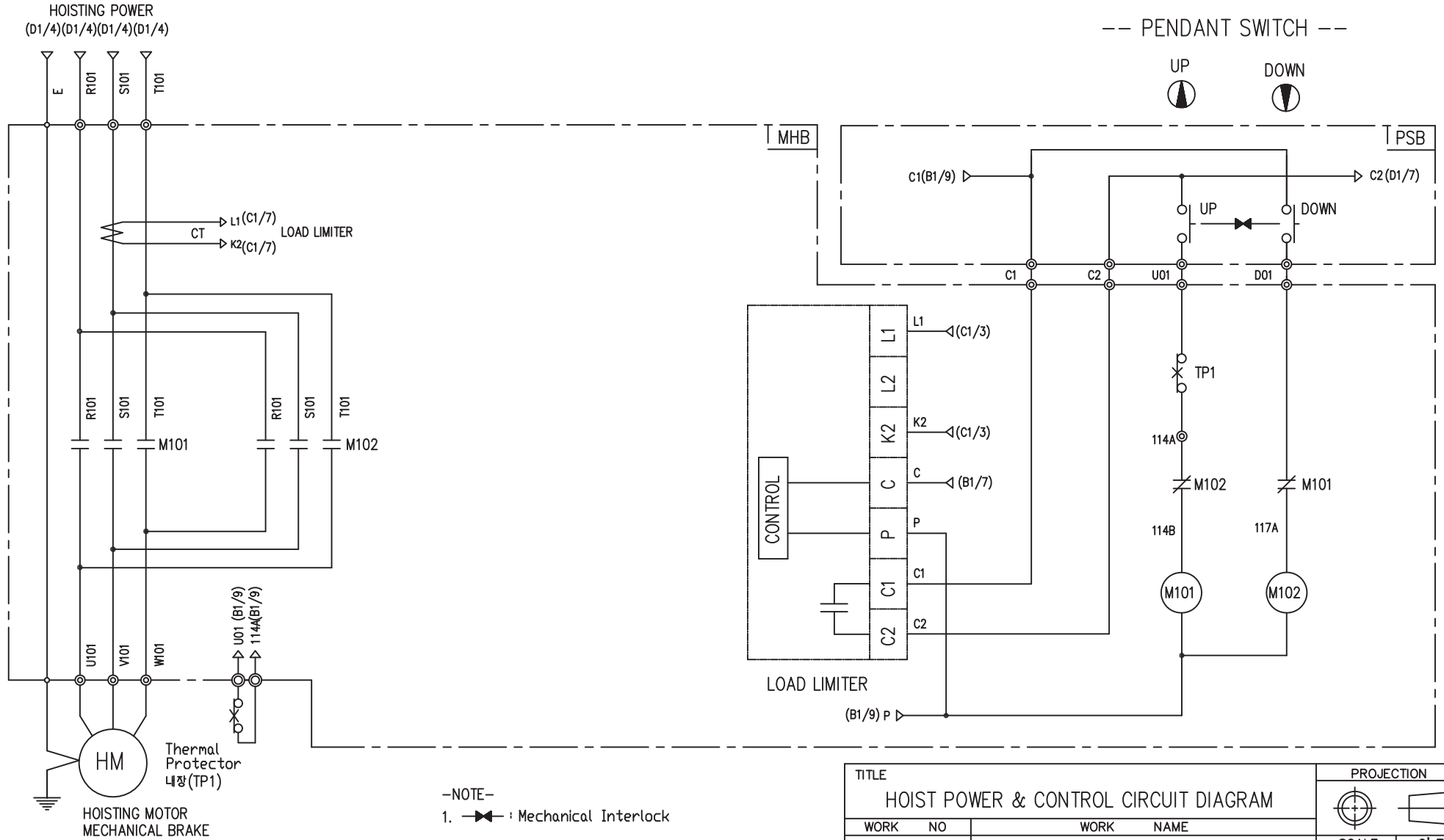


-NOTE-

- 1. - - - - MARKED OWNER SCOPE
- 2. ——— MARKED CRANEMAKER SCOPE

|                                      |                   |         |          |                |                    |
|--------------------------------------|-------------------|---------|----------|----------------|--------------------|
| TITLE<br>MAIN POWER CIRCUIT DIAGRAM1 |                   |         |          | PROJECTION<br> |                    |
| WORK NO<br>601                       | WORK NAME<br>LDSM |         |          | SCALE<br>1/1   | Q' TY<br>1         |
| DRAWN<br>LEE G.H.<br>2010.07.20      |                   | CHECKED | REVIEWED | APPROVED       | DRAWING NO<br>LDSM |
|                                      |                   |         |          | CODE NO        |                    |
| L K HOIST CO., LTD.                  |                   |         |          |                |                    |

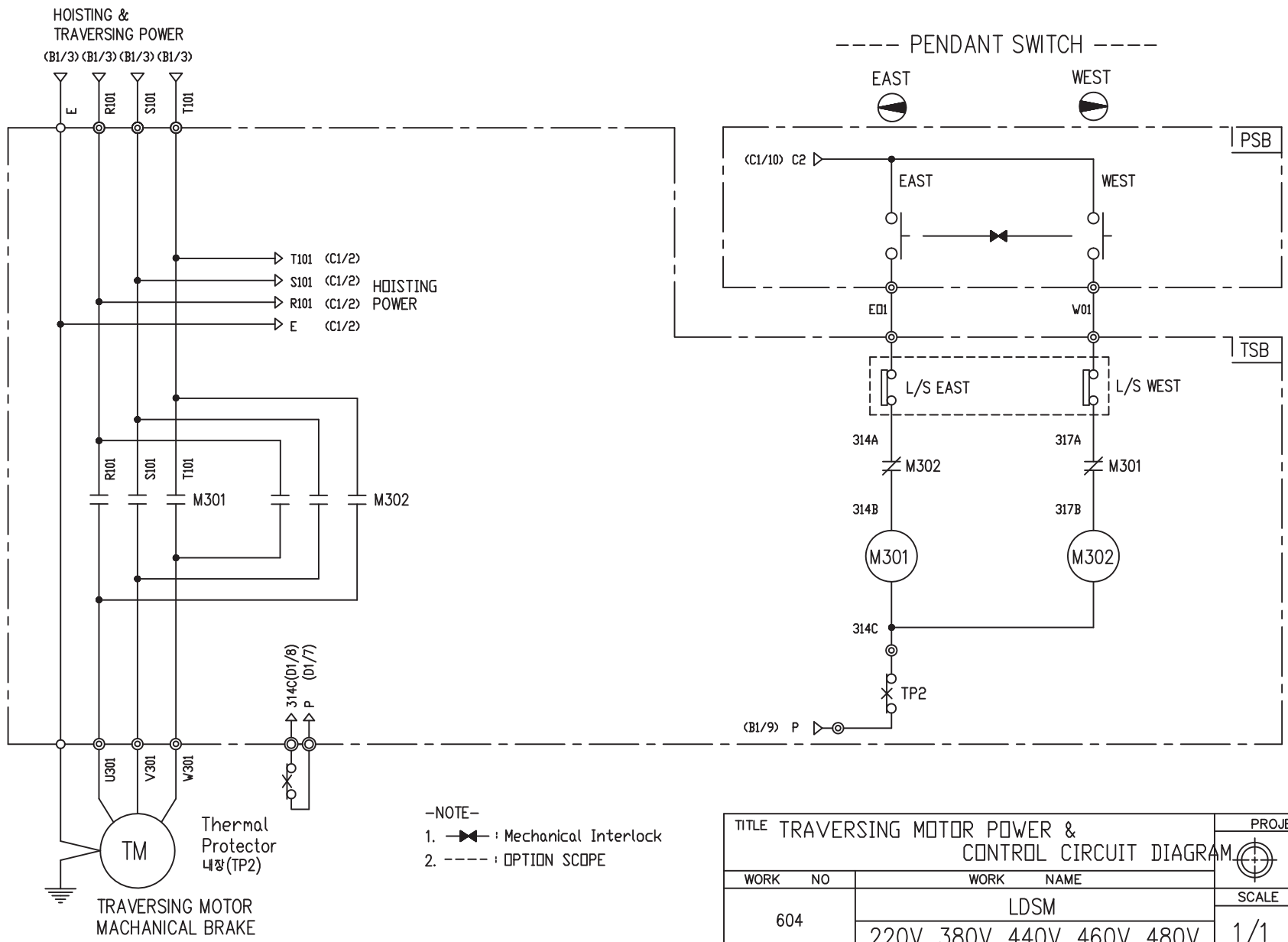




-NOTE-  
 1. : Mechanical Interlock

| SPECIFICATION | MAGNET CONTACT  | LOAD LIMITER | Thermal Protector | HOIST MOTOR |            |
|---------------|-----------------|--------------|-------------------|-------------|------------|
| SYMBOLS       | M101, M102      | -            | TP1               | HM          |            |
| DESCRIPTION   | GMC12    DMC12  | LKDL-501     | 17AM032           | 1.8Kw * 4P  | 1.2Kw * 6P |
| MAKER         | LS        DONGA | LK           | Texas Instruments | LK          |            |

|  |           |          |          |         |      |                |       |
|--|-----------|----------|----------|---------|------|----------------|-------|
| TITLE<br>HOIST POWER & CONTROL CIRCUIT DIAGRAM |           |          |          |         |      | PROJECTION<br> |       |
| WORK NO.                                       | WORK NAME |          |          |         |      | SCALE          | Q' TY |
| 603  | LDSM      |          |          |         |      | 1/1            | 1     |
| 220V, 380V, 440V, 460V, 480V                   |           |          |          |         |      |                |       |
| DRAWN  | CHECKED   | REVIEWED | APPROVED | MODEL   | LDSM |                |       |
| LEE.G.H  |           |          |          | CODE NO |      |                |       |
| 2010.07.20                                     |           |          |          |         |      |                |       |
| <b>L K HOIST CO., LTD.</b>                     |           |          |          |         |      |                |       |



-NOTE-

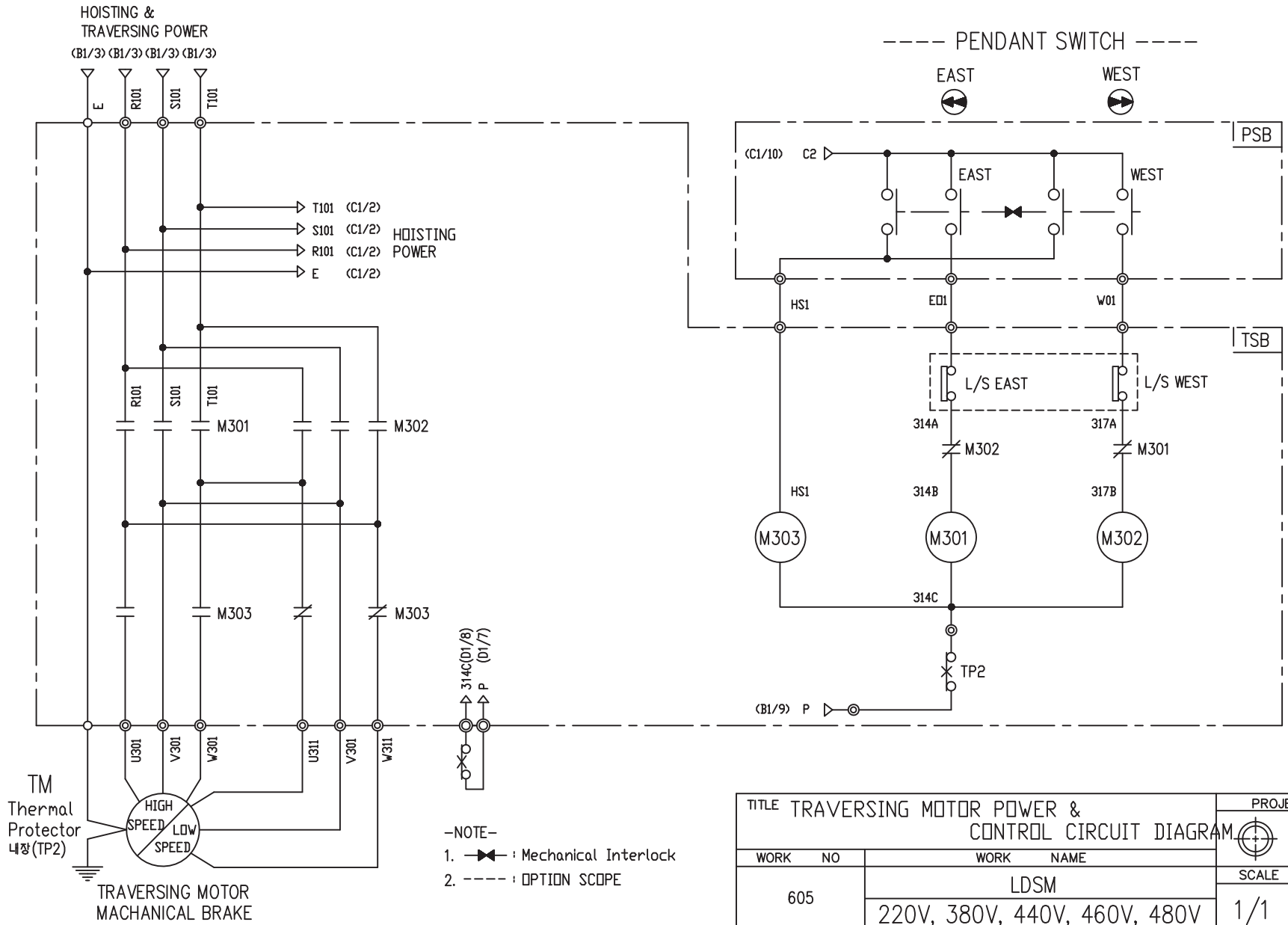
1. : Mechanical Interlock
2. - - - - : OPTION SCOPE

|  |         |          |          |               |         |                     |            |
|--|---------|----------|----------|---------------|---------|---------------------|------------|
| TITLE TRAVERSING MOTOR POWER & CONTROL CIRCUIT DIAGRAM |         |          |          |               |         | PROJECTION          |            |
| WORK NO. 604   |         |          |          |               |         | WORK NAME<br>LDSM   |            |
| 220V, 380V, 440V, 460V, 480V                           |         |          |          |               |         | SCALE<br>1/1        | Q' TY<br>1 |
| DRAWN<br>LEE.G.H                                       | CHECKED | REVIEWED | APPROVED | MODEL<br>LDSM | CODE NO |                     |            |
| 2010.07.20   |         |          |          |               |         | L K HOIST CO., LTD. |            |

|               |                |                   |                  |           |
|---------------|----------------|-------------------|------------------|-----------|
| SPECIFICATION | MAGNET CONTACT | Thermal Protector | TRAVERSING MOTOR |           |
| SYMBOLS       | M301, M302     | TP2               | TM               |           |
| DESCRIPTION   | GMC12 CN-11    | 17AM032           | 0.2KW *4P        | 0.3KW *2P |
| MAKER         | LG LK          | Texas Instruments | LK               |           |

TRAVERSING POWER CIRCUIT

TRAVERSING CONTROL CIRCUIT



|               |                  |                   |                  |
|---------------|------------------|-------------------|------------------|
| SPECIFICATION | MAGNET CONTACT   | Thermal Protector | TRAVERSING MOTOR |
| SYMBOLS       | M301, M302, M303 | TP2               | TM               |
| DESCRIPTION   | GMC12 CN-11      | 17AM032           | 0.3/0.15KW *2/8P |
| MAKER         | LG LK            | Texas Instruments | LK               |

|  |           |          |          |         |             |   |
|--|-----------|----------|----------|---------|-------------|---|
| TITLE TRAVERSING MOTOR POWER & CONTROL CIRCUIT DIAGRAM |           |          |          |         | PROJECTION  |   |
| WORK NO  | WORK NAME |          |          |         | SCALE Q' TY |   |
| 605  | LDSM      |          |          |         | 1/1         | 1 |
| 220V, 380V, 440V, 460V, 480V                           |           |          |          |         |             |   |
| DRAWN  | CHECKED   | REVIEWED | APPROVED | MODEL   | LDSM        |   |
| LEE.G.H  |           |          |          | CODE NO |             |   |
| 2010.07.20   |           |          |          |         |             |   |
| <b>LK L K HOIST CO., LTD.</b>                          |           |          |          |         |             |   |

## SCHEDULE OF TECHNICAL DATA

|   |                             |
|---|-----------------------------|
| 1. SERVICE                                  | HOISTING                    |
| 2. MANUFACTURE                              | LK HOIST CO. LTD            |
| 3. MOTOR MODEL NO                           | 1.8 - 4 - 46                |
| 4. RATED POWER                              | 1.8 KW × 4 P                |
| 5. RATED VOLTAGE AND FREQUENCY              | 460 V      60HZ             |
| 6. MOTOR TYPE                               | SQUIRREL CAGE ROTOR TYPE    |
| 7. RATING                                   | 30 MIN                      |
| 8. LOCATION                                 | IN-DOOR , OUTDOOR           |
| 9. INSULATION CLASS                         | B                           |
| 10. DESIGN TEMPERATURE RISE (BY RESISTANCE) | 80℃                         |
| 11. FULL LOAD SPEED                         | 1720 RPM                    |
| 12. FULL LOAD CURRENT                       | 4.1 A                       |
| 13. STARTING CURRENT AT RATED VOLTAGE       | 20.2 A                      |
| 14. MINIMUM STARTING VOLTAGE                | 397 V                       |
| 15. EFFICIENCY AT 100% RATED LOAD           | 69.2 %                      |
| 16. POWER FACTOR AT 100% RATED LOAD         | 67.3 %                      |
| 17. STARTING TORQUE                         | 246 %                       |
| 18. TYPE OF ENCLOSURE                       | 전폐형                         |
| 19. TYPE OF BEARING                         | PL : 6008DD    OPL : 6207ZZ |
| 20. MOUNTING                                | VERTICAL                    |
| 21. MAXIMUM AMBIENT TEMPURE                 | 40℃                         |
| 22. BEARING LUBRICATION                     | GREASE                      |
| 23. STARTING METHOD                         | FULL VOLTAGE                |

## SCHEDULE OF TECHNICAL DATA

|   |                             |
|---|-----------------------------|
| 1. SERVICE                                  | HOISTING                    |
| 2. MANUFACTURE                              | LK HOIST CO. LTD            |
| 3. MOTOR MODEL NO                           | 1.2 - 6 - 46                |
| 4. RATED POWER                              | 1.2 KW × 6 P                |
| 5. RATED VOLTAGE AND FREQUENCY              | 460 V      60HZ             |
| 6. MOTOR TYPE                               | SQUIRREL CAGE ROTOR TYPE    |
| 7. RATING                                   | 30 MIN                      |
| 8. LOCATION                                 | IN-DOOR , OUTDOOR           |
| 9. INSULATION CLASS                         | B                           |
| 10. DESIGN TEMPERATURE RISE (BY RESISTANCE) | 80℃                         |
| 11. FULL LOAD SPEED                         | 1150 RPM                    |
| 12. FULL LOAD CURRENT                       | 4.3 A                       |
| 13. STARTING CURRENT AT RATED VOLTAGE       | 20.8 A                      |
| 14. MINIMUM STARTING VOLTAGE                | 419 V                       |
| 15. EFFICIENCY AT 100% RATED LOAD           | 68.5 %                      |
| 16. POWER FACTOR AT 100% RATED LOAD         | 63.9 %                      |
| 17. STARTING TORQUE                         | 246 %                       |
| 18. TYPE OF ENCLOSURE                       | 전폐형                         |
| 19. TYPE OF BEARING                         | PL : 6008DD    OPL : 6207ZZ |
| 20. MOUNTING                                | VERTICAL                    |
| 21. MAXIMUM AMBIENT TEMPURE                 | 40℃                         |
| 22. BEARING LUBRICATION                     | GREASE                      |
| 23. STARTING METHOD                         | FULL VOLTAGE                |

## SCHEDULE OF TECHNICAL DATA

|   |                             |
|---|-----------------------------|
| 1. SERVICE                                  | TRAVERSING                  |
| 2. MANUFACTURE                              | LK HOIST CO. LTD            |
| 3. MOTOR MODEL NO                           | 0.3 - 2 - 46                |
| 4. RATED POWER                              | 0.3 KW × 2 P                |
| 5. RATED VOLTAGE AND FREQUENCY              | 460 V      60HZ             |
| 6. MOTOR TYPE                               | SQUIRREL CAGE ROTOR TYPE    |
| 7. RATING                                   | 15 MIN                      |
| 8. LOCATION                                 | IN-DOOR , OUTDOOR           |
| 9. INSULATION CLASS                         | B                           |
| 10. DESIGN TEMPERATURE RISE (BY RESISTANCE) | 100℃                        |
| 11. FULL LOAD SPEED                         | 3440 RPM                    |
| 12. FULL LOAD CURRENT                       | 1.2 A                       |
| 13. STARTING CURRENT AT RATED VOLTAGE       | 6.0 A                       |
| 14. MINIMUM STARTING VOLTAGE                | 414 V                       |
| 15. EFFICIENCY AT 100% RATED LOAD           | 57.3 %                      |
| 16. POWER FACTOR AT 100% RATED LOAD         | 56.2 %                      |
| 17. STARTING TORQUE                         | 230 %                       |
| 18. TYPE OF ENCLOSURE                       | 전폐형                         |
| 19. TYPE OF BEARING                         | PL : 6008DD    OPL : 6207ZZ |
| 20. MOUNTING                                | VERTICAL                    |
| 21. MAXIMUM AMBIENT TEMPURE                 | 40℃                         |
| 22. BEARING LUBRICATION                     | GREASE                      |
| 23. STARTING METHOD                         | FULL VOLTAGE                |

## SCHEDULE OF TECHNICAL DATA

|   |                             |
|---|-----------------------------|
| 1. SERVICE                                  | TRAVERSING                  |
| 2. MANUFACTURE                              | LK HOIST CO. LTD            |
| 3. MOTOR MODEL NO                           | 0.2 - 4 - 46                |
| 4. RATED POWER                              | 0.2 KW × 4 P                |
| 5. RATED VOLTAGE AND FREQUENCY              | 460 V      60HZ             |
| 6. MOTOR TYPE                               | SQUIRREL CAGE ROTOR TYPE    |
| 7. RATING                                   | 15 MIN                      |
| 8. LOCATION                                 | IN-DOOR , OUTDOOR           |
| 9. INSULATION CLASS                         | B                           |
| 10. DESIGN TEMPERATURE RISE (BY RESISTANCE) | 100℃                        |
| 11. FULL LOAD SPEED                         | 1690 RPM                    |
| 12. FULL LOAD CURRENT                       | 0.96 A                      |
| 13. STARTING CURRENT AT RATED VOLTAGE       | 4.8 A                       |
| 14. MINIMUM STARTING VOLTAGE                | 414 V                       |
| 15. EFFICIENCY AT 100% RATED LOAD           | 52.3 %                      |
| 16. POWER FACTOR AT 100% RATED LOAD         | 50.0 %                      |
| 17. STARTING TORQUE                         | 230 %                       |
| 18. TYPE OF ENCLOSURE                       | 전폐형                         |
| 19. TYPE OF BEARING                         | PL : 6008DD    OPL : 6207ZZ |
| 20. MOUNTING                                | VERTICAL                    |
| 21. MAXIMUM AMBIENT TEMPURE                 | 40℃                         |
| 22. BEARING LUBRICATION                     | GREASE                      |
| 23. STARTING METHOD                         | FULL VOLTAGE                |

## SCHEDULE OF TECHNICAL DATA

|   |                             |
|---|-----------------------------|
| 1. SERVICE                                  | TRAVERSING                  |
| 2. MANUFACTURE                              | LK HOIST CO. LTD            |
| 3. MOTOR MODEL NO                           | 0.3/0.15 - 2/8 - 46         |
| 4. RATED POWER                              | 0.3/0.15 KW × 2/8 P         |
| 5. RATED VOLTAGE AND FREQUENCY              | 460 V      60HZ             |
| 6. MOTOR TYPE                               | SQUIRREL CAGE ROTOR TYPE    |
| 7. RATING                                   | 15 MIN                      |
| 8. LOCATION                                 | IN-DOOR , OUTDOOR           |
| 9. INSULATION CLASS                         | B                           |
| 10. DESIGN TEMPERATURE RISE (BY RESISTANCE) | 100℃                        |
| 11. FULL LOAD SPEED                         | 3440 / 840 RPM              |
| 12. FULL LOAD CURRENT                       | 1.2 / 1.1 A                 |
| 13. STARTING CURRENT AT RATED VOLTAGE       | 6.2 / 5.5 A                 |
| 14. MINIMUM STARTING VOLTAGE                | 414 V                       |
| 15. EFFICIENCY AT 100% RATED LOAD           | 56.5 / 41.8 %               |
| 16. POWER FACTOR AT 100% RATED LOAD         | 55.5 / 40.9 %               |
| 17. STARTING TORQUE                         | 230 / 231 %                 |
| 18. TYPE OF ENCLOSURE                       | 전폐형                         |
| 19. TYPE OF BEARING                         | PL : 6008DD    OPL : 6207ZZ |
| 20. MOUNTING                                | VERTICAL                    |
| 21. MAXIMUM AMBIENT TEMPURE                 | 40℃                         |
| 22. BEARING LUBRICATION                     | GREASE                      |
| 23. STARTING METHOD                         | FULL VOLTAGE                |