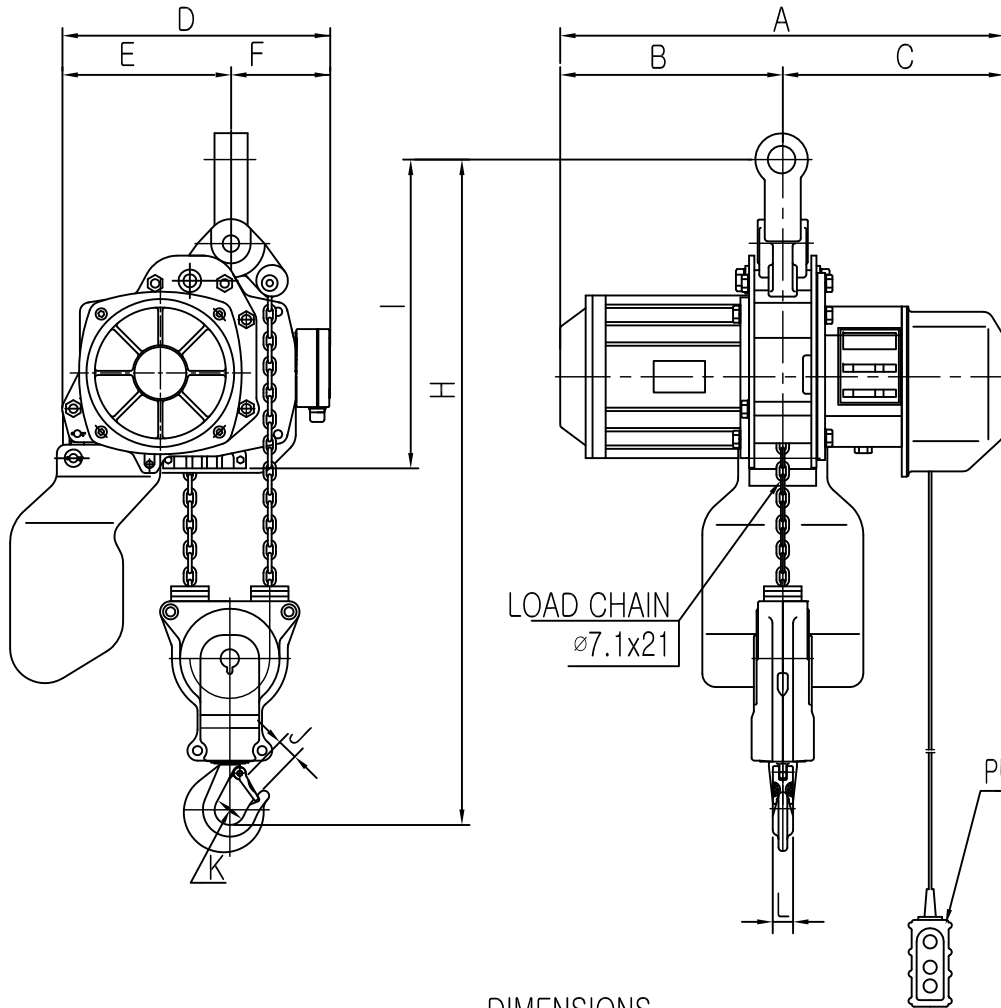


ON ㉔MD

L K HOIST

NO	DESCRIPTION	SIZE	MAT' L	Q' TY	WT (kg)	REMARKS



제조일 : 0000-00-00
 형식번호 : 00-000-00
 정격하중 : 00-000-00
 제조자 : (주)LK

SPECIFICATION

		LDS-1.9W	
RATED LOAD (TON)		1.9	
TESTING LOAD (TON)		2.375	
LIFTING HEIGHT (M)		50	
HOISTING	SPEED (M/MIN)	4.1	2.7
	MOTOR (KW)	1.8 x 4p	1.2 x 6p
WEIGHT (KG)		165	
POWER SUPPLY		AC220.380.440.460.480V x3ø x 60 Hz	
OPERATING METHOD		P.B type ON . FL	
LOAD CHAIN		ø7.1 X 21 (2FALL)	

DIMENSIONS

MODEL	CAPACITY (ton)	A	B	C	D	E	F	H	I	J	K	L
LDS-1.9W	1.9	535	262	273	336	181	155	670	438	40	53.5	30

NOTE)

- 1)점검 설비를 갖출 것
- 2)인허가 서류를 완성검사시 제출 할 것

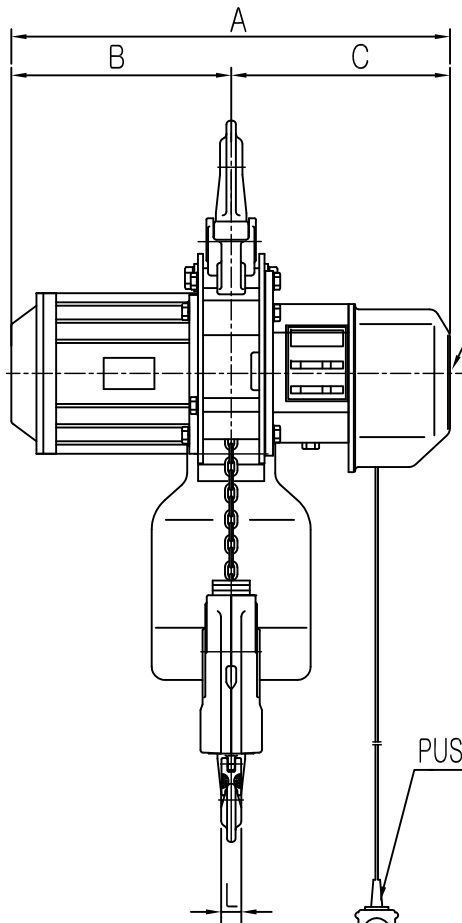
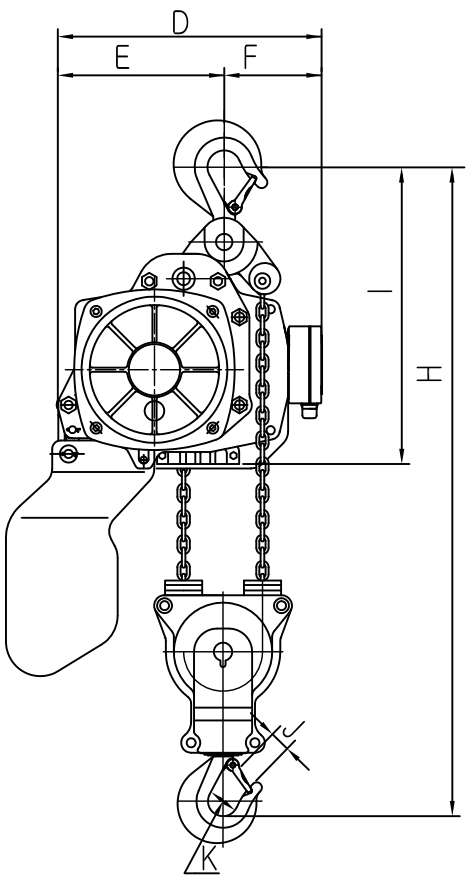
TITLE					PROJECTION		
CHAIN HOIST LDS-1.9W							
					CONNECTOR TYPE		
					N	S	1
DRAWN	CHECKED	REVIEWED	APPROVED	DRAWING NO			
김 창 기							
2010.07.15							

REV.NO	DATE	REVISION	DESCRIPTION	DRAWN	CHECKED	APPROVED

ON 3MD

L K HOIST

NO	DESCRIPTION	SIZE	MAT' L	Q' TY	WT (kg)	REMARKS



제조일 : 0000-00-00
 형식번호 : 00-000-00
 정격하중 : 00-000-00
 제조자 : (주)LK

SPECIFICATION

		LDS-1.9W	
RATED LOAD	(TON)	1.9	
TESTING LOAD	(TON)	2.375	
LIFTING HEIGHT	(M)	50	
HOISTING	SPEED (M/MIN)	4.1	2.7
	MOTOR (KW)	1.8 x 4p	1.2 x 6p
WEIGHT	(KG)	165	
POWER SUPPLY	AC220.380.440.460.480V x3φ x 60 Hz		
OPERATING METHOD	P.B type ON . FL		
LOAD CHAIN	φ7.1 X 21 (2FALL)		

PUSH BUTTON 2POINT

NOTE)

- 1)점검 설비를 갖출 것
- 2)인허가 서류를 완성검사시 제출 할 것

DIMENSIONS

MODEL	CAPACITY (ton)	A	B	C	D	E	F	H	I	J	K	L
LDS-1.9W	1.9	535	262	273	336	181	155	670	438	40	53.5	30

TITLE					PROJECTION		
ELECTRIC CHAIN HOIST LDS-1.9W							
							WORK NO
			HOOK TYPE		N	S	1
DRAWN	CHECKED	REVIEWED	APPROVED	DRAWING NO			
김 창 기							
2010.07.15							

REV.NO	DATE	REVISION	DESCRIPTION	DRAWN	CHECKED	APPROVED

ON 3MD

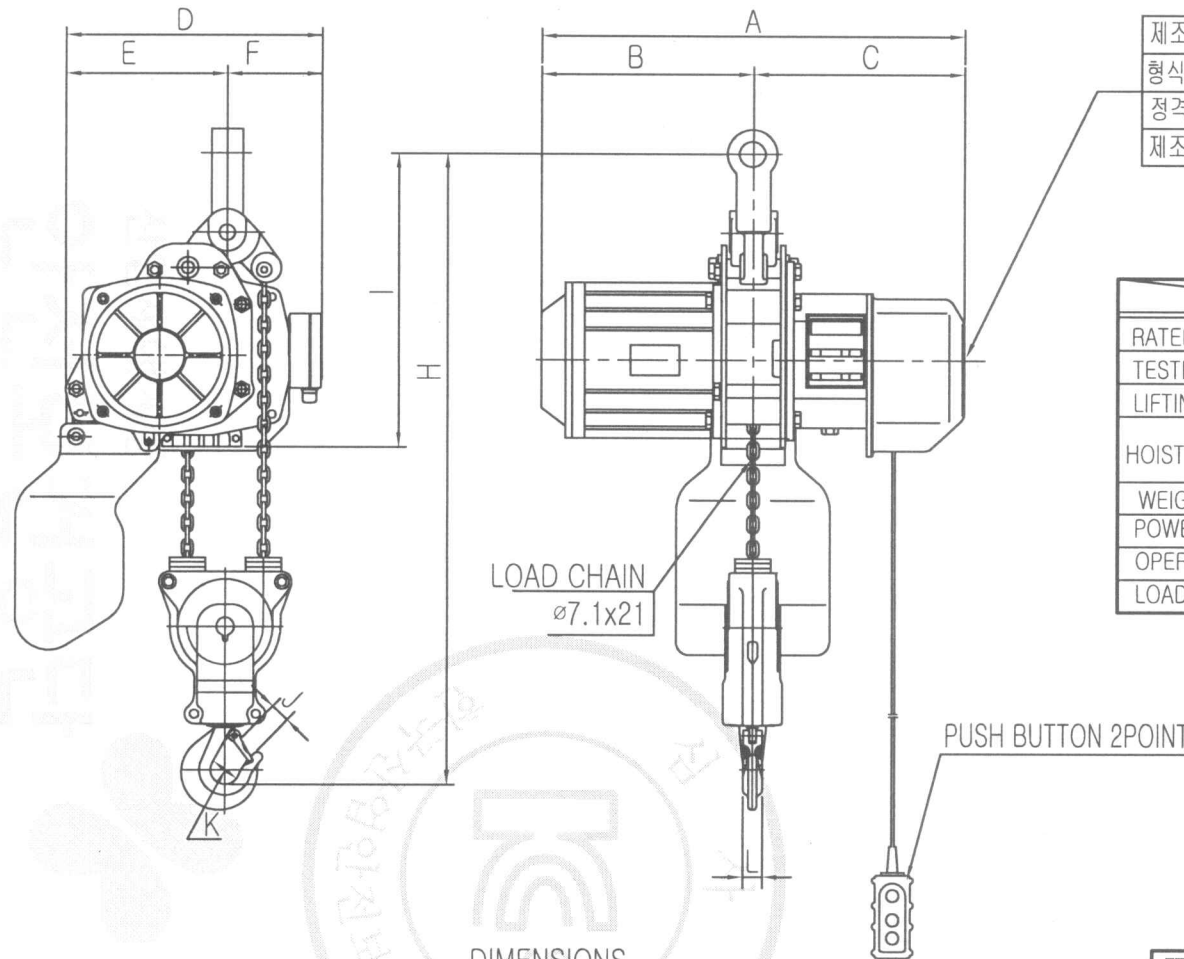
L K HOIST

NO	DESCRIPTION	SIZE	MAT L	Q' TY	WT (kg)	REMARKS

제조일 : 0000-00-00
 형식번호 : 00-000-00
 정격하중 : 00-000-00
 제조자 : (주)LK

SPECIFICATION

		LDS-1.9W	
RATED LOAD	(TON)	1.9	
TESTING LOAD	(TON)	2.375	
LIFTING HEIGHT	(M)	50	
HOISTING	SPEED (M/MIN)	4.1	2.7
	MOTOR (KW)	1.8 x 4p	1.2 x 6p
WEIGHT	(KG)	165	
POWER SUPPLY	AC220,380,440,460,480V x3φ x 60 Hz		
OPERATING METHOD	P.B type ON . FL		
LOAD CHAIN	ø7.1 X 21 (2FALL)		



DIMENSIONS

MODEL	CAPACITY (ton)	A	B	C	D	E	F	H	I	J	K	L
LDS-1.9W	1.9	535	262	273	336	181	155	670	438	40	53.5	30

NOTE)

- 1)점검 설비를 갖출 것
- 2)인허가 서류를 완성검사시 제출 할 것

TITLE				PROJECTION	
CHAIN HOIST LDS-1.9W					
WORK NO	WORK NAME			SCALE	Q' TY
	CONNECTOR TYPE			N S	1
DRAWN	CHECKED	REVIEWED	APPROVED	DRAWING NO	
김창기					
2010.07.15					

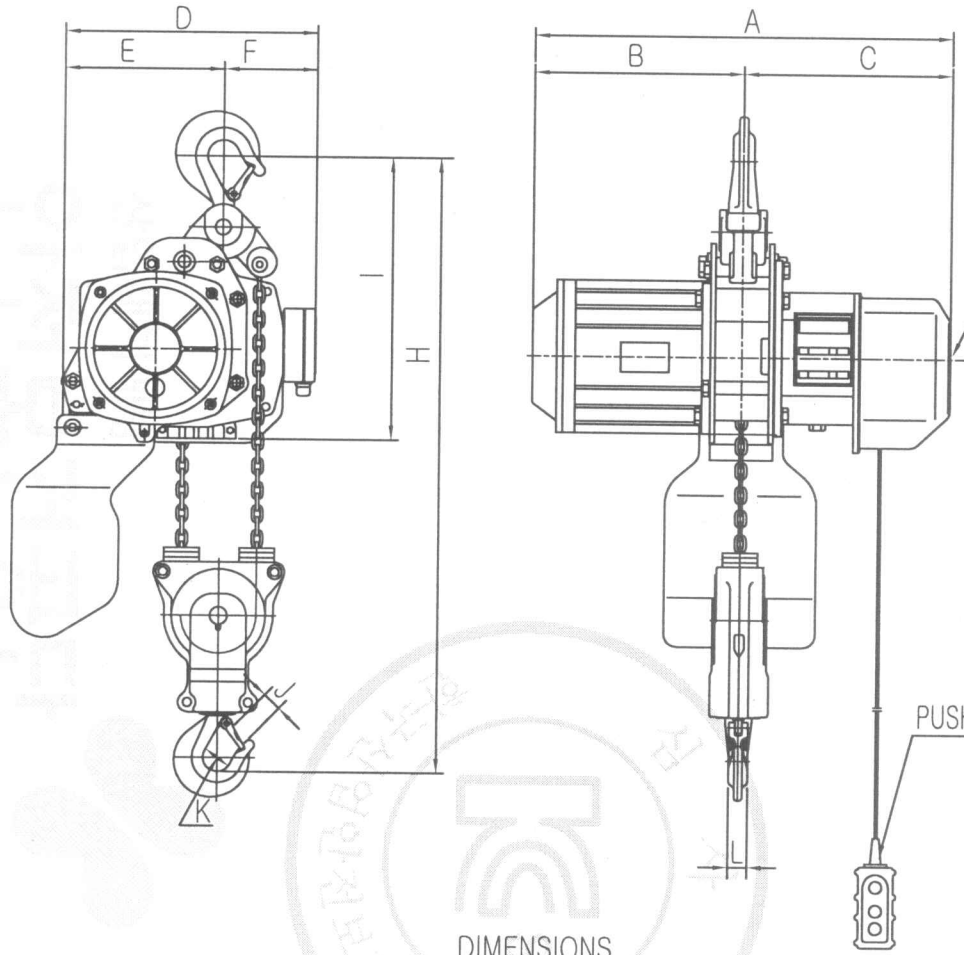
REV.NO	DATE	REVISION	DESCRIPTION	DRAWN	CHECKED	APPROVED

물범복제 및 배포금지

ON 5MG

L K HOIST

NO	DESCRIPTION	SIZE	MAT L	Q' TY	WT (kg)	REMARKS



제조일 : 0000-00-00
 형식번호 : 00-000-00
 정격하중 : 00-000-00
 제조자 : (주)LK

SPECIFICATION

		LDS-1.9W	
RATED LOAD	(TON)	1.9	
TESTING LOAD	(TON)	2.375	
LIFTING HEIGHT	(M)	50	
HOISTING	SPEED (M/MIN)	4.1	2.7
	MOTOR (KW)	1.8 x 4p	1.2 x 6p
WEIGHT	(KG)	165	
POWER SUPPLY	AC220,380,440,460,480V x3φ x 60 Hz		
OPERATING METHOD	P.B type ON . FL		
LOAD CHAIN	φ7.1 X 21 (2FALL)		

PUSH BUTTON 2POINT

NOTE)

- 1) 점검 설비를 갖출 것
- 2) 인허가 서류를 완성검사시 제출 할 것

DIMENSIONS

MODEL	CAPACITY (ton)	A	B	C	D	E	F	H	I	J	K	L
LDS-1.9W	1.9	535	262	273	336	181	155	670	438	40	53.5	30

REV.NO	DATE	REVISION DESCRIPTION	DRAWN	CHECKED	APPROVED

TITLE				PROJECTION	
ELECTRIC CHAIN HOIST LDS-1.9W					
WORK NO	WORK NAME			SCALE	Q' TY
	HOOK TYPE			N S	1
DRAWN	CHECKED	REVIEWED	APPROVED	DRAWING NO	
김창기					
2010.07.15					
L K HOIST CO., LTD.					

물범복제 및 배포금지