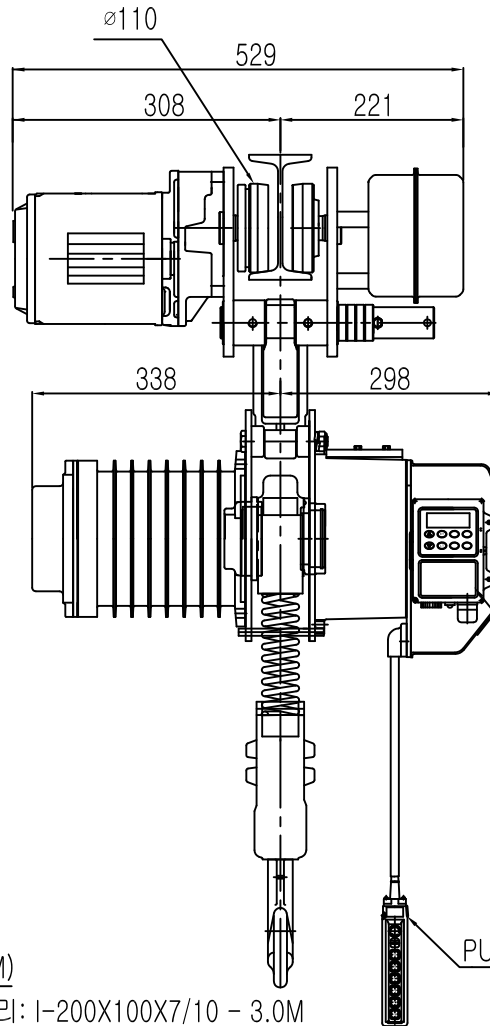
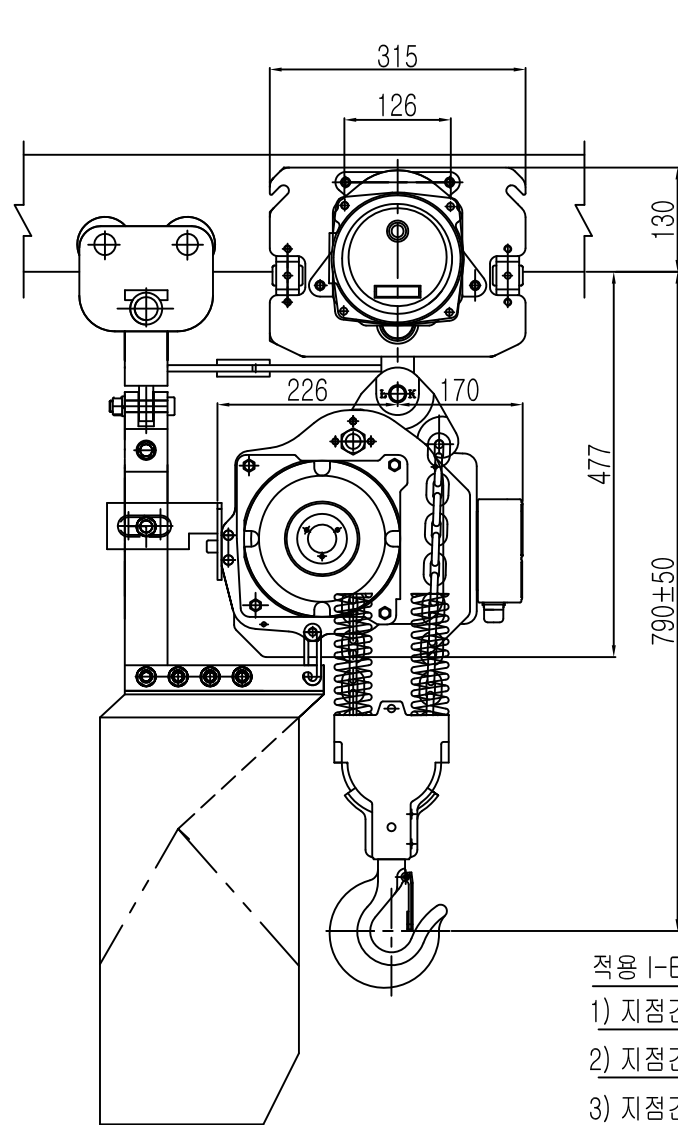


# L K HOIST

NO	DESCRIPTION	SIZE	MAT'L	Q'TY	WT (kg)	REMARKS



## SPECIFICATION

		LK-DBM-2W		
RATED LOAD (TON)		2.0		
TESTING LOAD (TON)		2.5		
LIFTING HEIGHT (M)		50		
HOISTING	SPEED (M/MIN)	4.1/1.3		
	MOTOR (KW)	1.8/0.7kw x 2/6p		
TRAVERSING	SPEED (M/MIN)	21	14	21/7
	MOTOR (KW)	0.75kw x 4p	0.4kw x 6p	0.75/0.25kw x 4/12p
POWER SUPPLY	AC220.380.440.460.480Vx3 $\phi$ x 60 Hz			
OPERATING METHOD	P.B type ON . FL			
LOAD CHAIN	$\phi 7.1$ X 21(2FALL)			
WEIGHT (KG)	250KG			
I-BEAM 적용폭	100 ~ 190MM			

적용 I-BEAM)

- 1) 지점간 거리: I-200X100X7/10 - 3.0M
- 2) 지점간거리 : I-250X125X7.5/12.5-5.0M
- 3) 지점간거리 : I-300X150X10/18.5-7.5M
- 4) 지점간거리 : I-450X175X13/26-12M
- 5) 지점간거리 : I-600X190X13/25-15M

### NOTE)

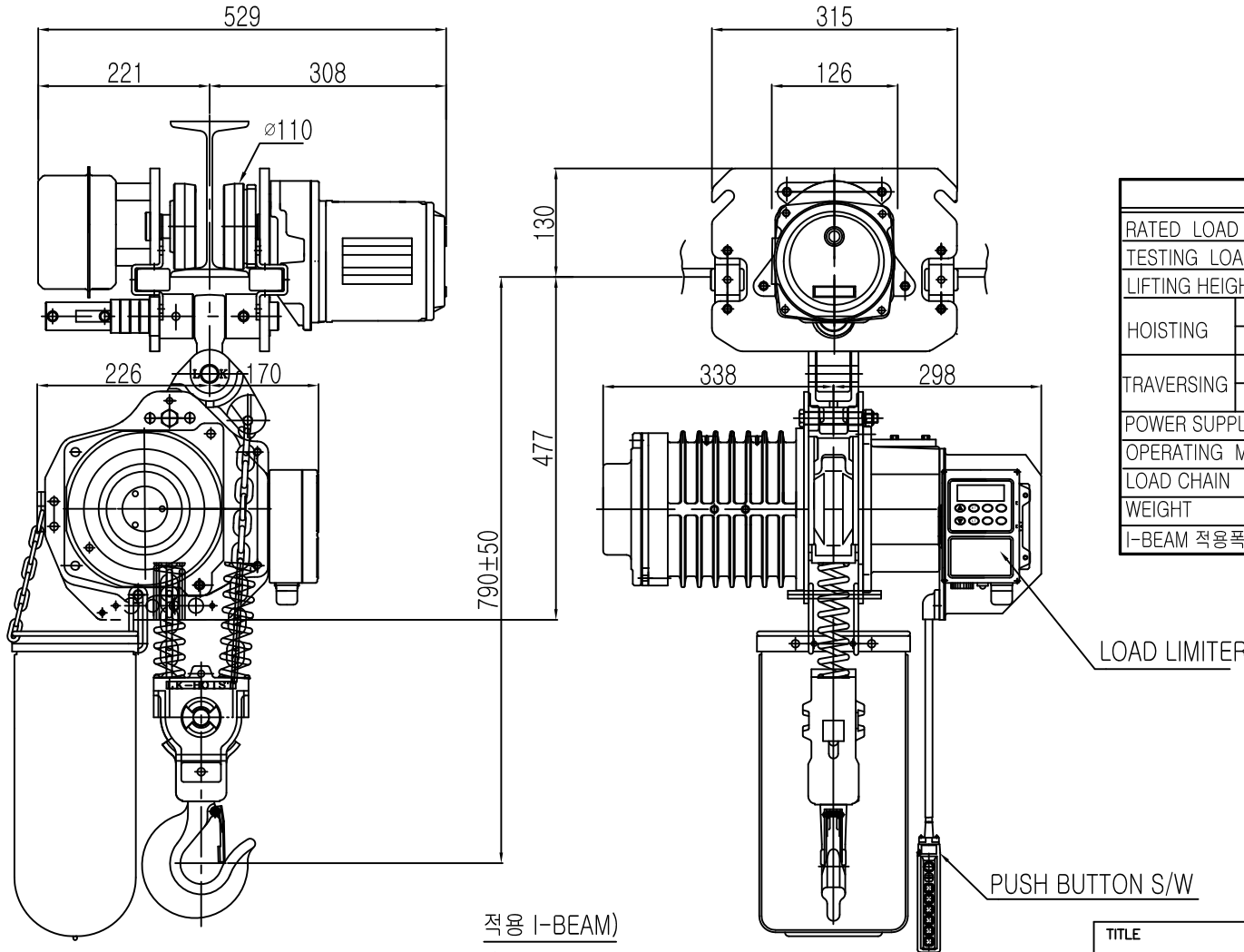
- 1) 점검 설비를 갖출 것
- 2) 인허가 서류를 완성검사시 제출 할 것

TITLE					PROJECTION	
ELECTRIC CHAIN HOIST DBM-2W						
WORK NO	WORK NAME				SCALE	Q' TY
	LK-DBM-2W					1
DRAWN	CHECKED	REVIEWED	APPROVED	DRAWING NO		
김 창 기				CODE NO		
2010.08.01						

REV.NO	DATE	REVISION	DESCRIPTION	DRAWN	CHECKED	APPROVED

# L K HOIST

NO	DESCRIPTION	SIZE	MAT L	Q' TY	WT (kg)	REMARKS



## SPECIFICATION

		LK-DBM-2W		
RATED LOAD	(TON)	2.0		
TESTING LOAD	(TON)	2.5		
LIFTING HEIGHT	(M)	50		
HOISTING	SPEED (M/MIN)	4.1/1.3		
	MOTOR (KW)	1.8/0.7kw x 2/6p		
TRAVERSING	SPEED (M/MIN)	21	14	21/7
	MOTOR (KW)	0.75kw x 4p	0.4kw x 6p	0.75/0.25kw x 4/12p
POWER SUPPLY	AC220.380.440.460,480Vx3φ x 60 Hz			
OPERATING METHOD	P.B type ON . FL			
LOAD CHAIN	φ7.1 X 21(2FALL)			
WEIGHT	(KG)	250KG		
I-BEAM 적용폭	100 ~ 190MM			

### NOTE)

- 1) 점검 설비를 갖출 것
- 2) 인허가 서류를 완성검사시 제출 할 것

### 적용 I-BEAM)

- 1) 지점간 거리 : I-200X100X7/10 - 3.0M
- 2) 지점간 거리 : I-250X125X7.5/12.5-5.0M
- 3) 지점간 거리 : I-300X150X10/18.5-7.5M
- 4) 지점간 거리 : I-450X175X13/26-12M
- 5) 지점간 거리 : I-600X190X13/25-15M

TITLE					PROJECTION	
ELECTRIC CHAIN HOIST						
WORK NO	WORK NAME				SCALE	Q' TY
	LK-DBM-2W				N/S	1
DRAWN	CHECKED	REVIEWED	APPROVED	DRAWING NO		
김 창 기				CODE NO		
2010.08.01						

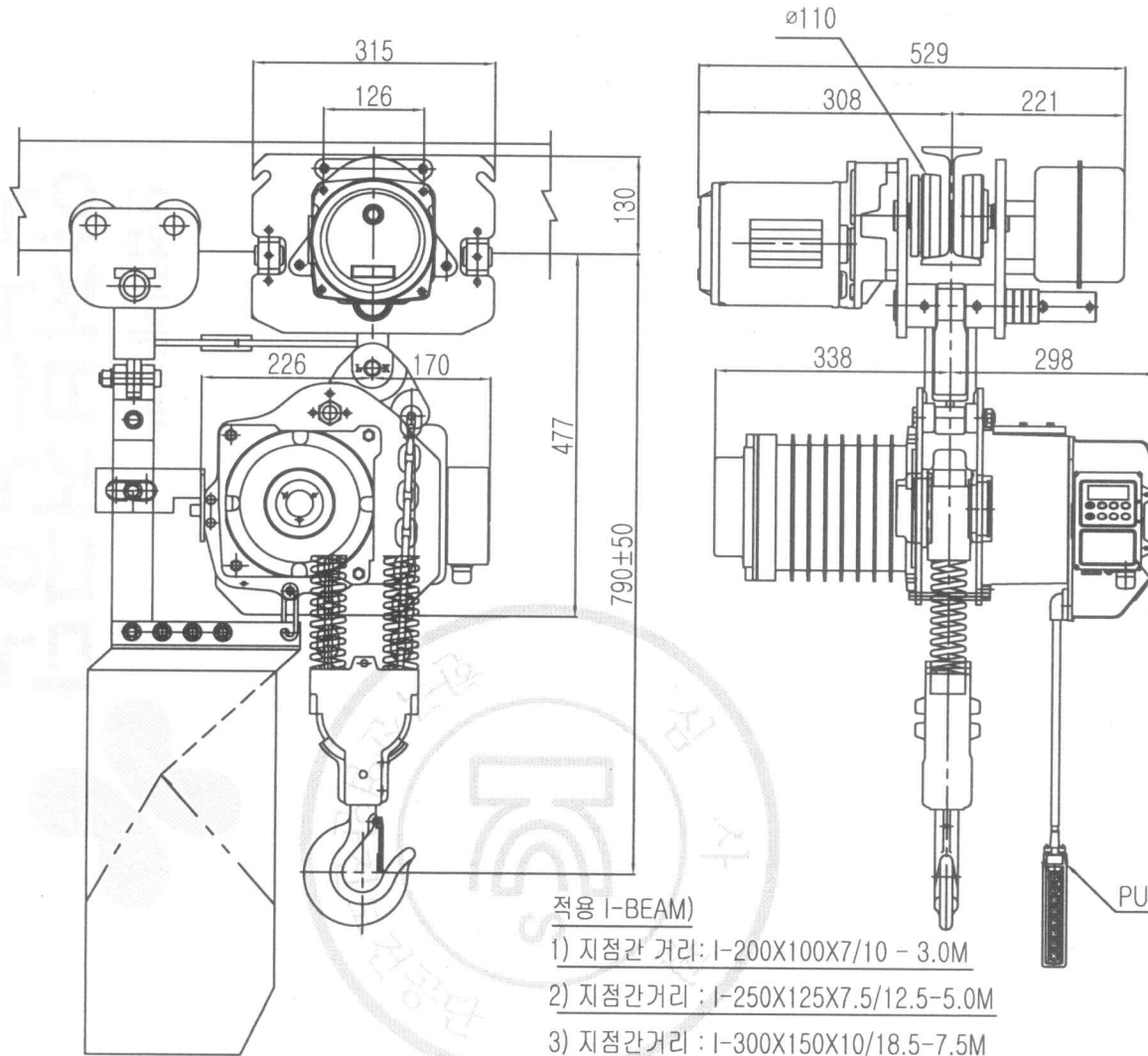


**L K HOIST CO., LTD.**

REV.NO	DATE	REVISION	DESCRIPTION	DRAWN	CHECKED	APPROVED

# L K HOIST

NO	DESCRIPTION	SIZE	MAT L	Q' TY	WT (kg)	REMARKS



## SPECIFICATION

		LK-DBM-2W			
RATED LOAD (TON)		2.0			
TESTING LOAD (TON)		2.5			
LIFTING HEIGHT (M)		50			
HOISTING	SPEED (M/MIN)	4.1/1.3			
	MOTOR (KW)	1.8/0.7kw x 2/6p			
TRAVERSING	SPEED (M/MIN)	21	14	21/7	
	MOTOR (KW)	0.75kw x 4p	0.4kw x 6p	0.75/0.25kw x 4/12p	
POWER SUPPLY		AC220.380.440.460.480Vx3ø x 60 Hz			
OPERATING METHOD		P.B type ON . FL			
LOAD CHAIN		ø7.1 X 21(2FALL)			
WEIGHT (KG)		250KG			
I-BEAM 적용폭		100 ~ 190MM			

LOAD LIMITER

PUSH BUTTON S/W

### NOTE)

- 1)점검 설비를 갖출 것
- 2)인허가 서류를 완성검사시 제출 할 것

적용 I-BEAM)

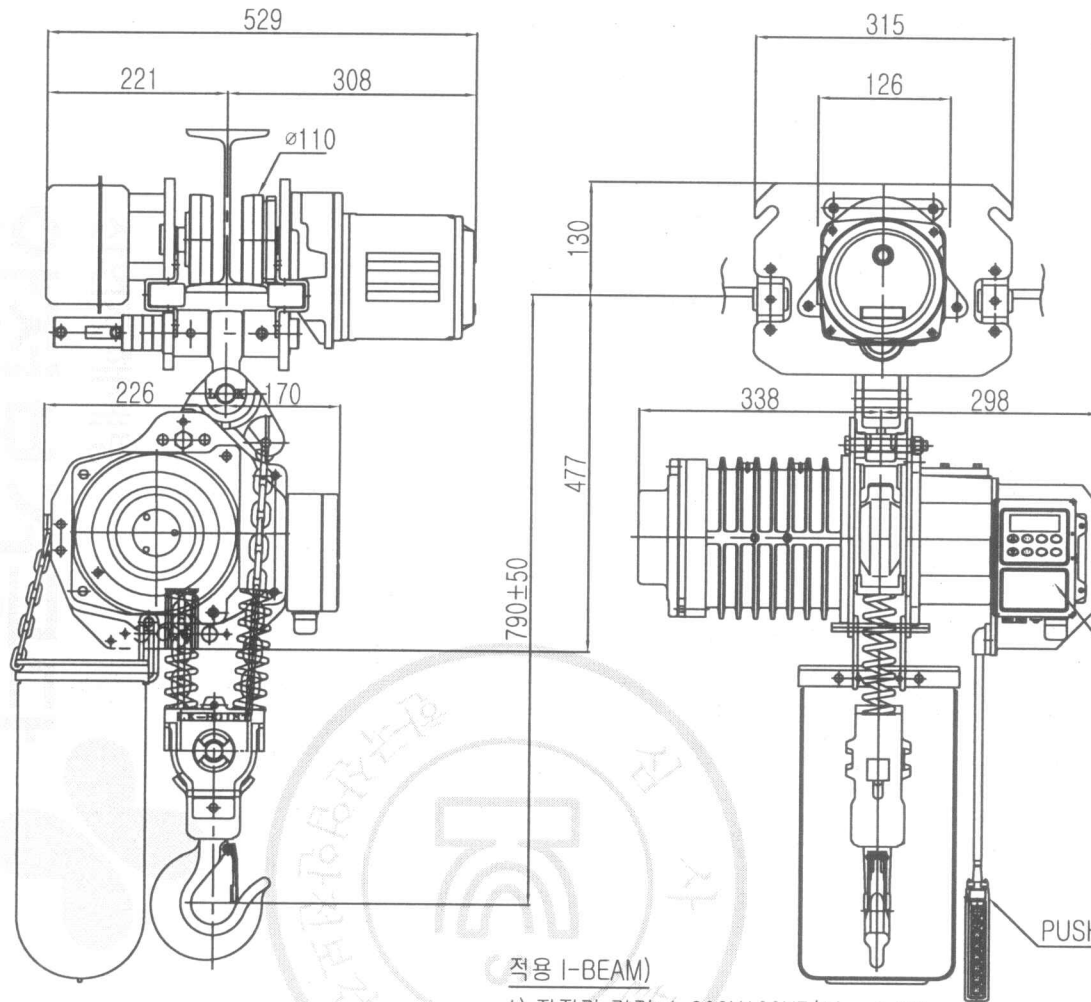
- 1) 지점간 거리: I-200X100X7/10 - 3.0M
- 2) 지점간거리 : I-250X125X7.5/12.5-5.0M
- 3) 지점간거리 : I-300X150X10/18.5-7.5M
- 4) 지점간거리 : I-450X175X13/26-12M
- 5) 지점간거리 : I-600X190X13/25-15M

REV.NO	DATE	REVISION	DESCRIPTION	DRAWN	CHECKED	APPROVED

TITLE						PROJECTION	
ELECTRIC CHAIN HOIST DBM-2W							
WORK NO		WORK NAME				SCALE	Q' TY
		LK-DBM-2W					1
DRAWN	CHECKED	REVIEWED	APPROVED	DRAWING NO			
김창기							
2010.08.01				CODE NO			
L K HOIST CO., LTD.							

# L K HOIST

NO	DESCRIPTION	SIZE	MAT'L	Q'TY	WT (kg)	REMARKS



## SPECIFICATION

		LK-DBM-2W		
RATED LOAD	(TON)	2.0		
TESTING LOAD	(TON)	2.5		
LIFTING HEIGHT	(M)	50		
HOISTING	SPEED (M/MIN)	4.1/1.3		
	MOTOR (KW)	1.8/0.7kw x 2/6p		
TRAVERSING	SPEED (M/MIN)	21	14	21/7
	MOTOR (KW)	0.75kw x 4p	0.4kw x 6p	0.75/0.25kw x 4/12p
POWER SUPPLY	AC220.380.440.460.480Vx3ø x 60 Hz			
OPERATING METHOD	P.B type ON . FL			
LOAD CHAIN	ø7.1 X 21(2FALL)			
WEIGHT	(KG)	250KG		
I-BEAM 적용폭	100 ~ 190MM			

LOAD LIMITER

PUSH BUTTON S/W

NOTE)

- 1)점검 설비를 갖출 것
- 2)인허가 서류를 완성검사시 제출 할 것

적용 I-BEAM)

- 1) 지점간 거리: I-200X100X7/10 - 3.0M
- 2) 지점간거리 : I-250X125X7.5/12.5-5.0M
- 3) 지점간거리 : I-300X150X10/18.5-7.5M
- 4) 지점간거리 : I-450X175X13/26-12M
- 5) 지점간거리 : I-600X190X13/25-15M

REV.NO	DATE	REVISION	DESCRIPTION	DRAWN	CHECKED	APPROVED

TITLE					PROJECTION	
ELECTRIC CHAIN HOIST						
WORK NO	WORK NAME				SCALE	Q'TY
	LK-DBM-2W				N/S	1
DRAWN	CHECKED	REVIEWED	APPROVED	DRAWING NO		
김창기						
2010.08.01				CODE NO		

**LK** L K HOIST CO., LTD.

물범복제 및 배포금지