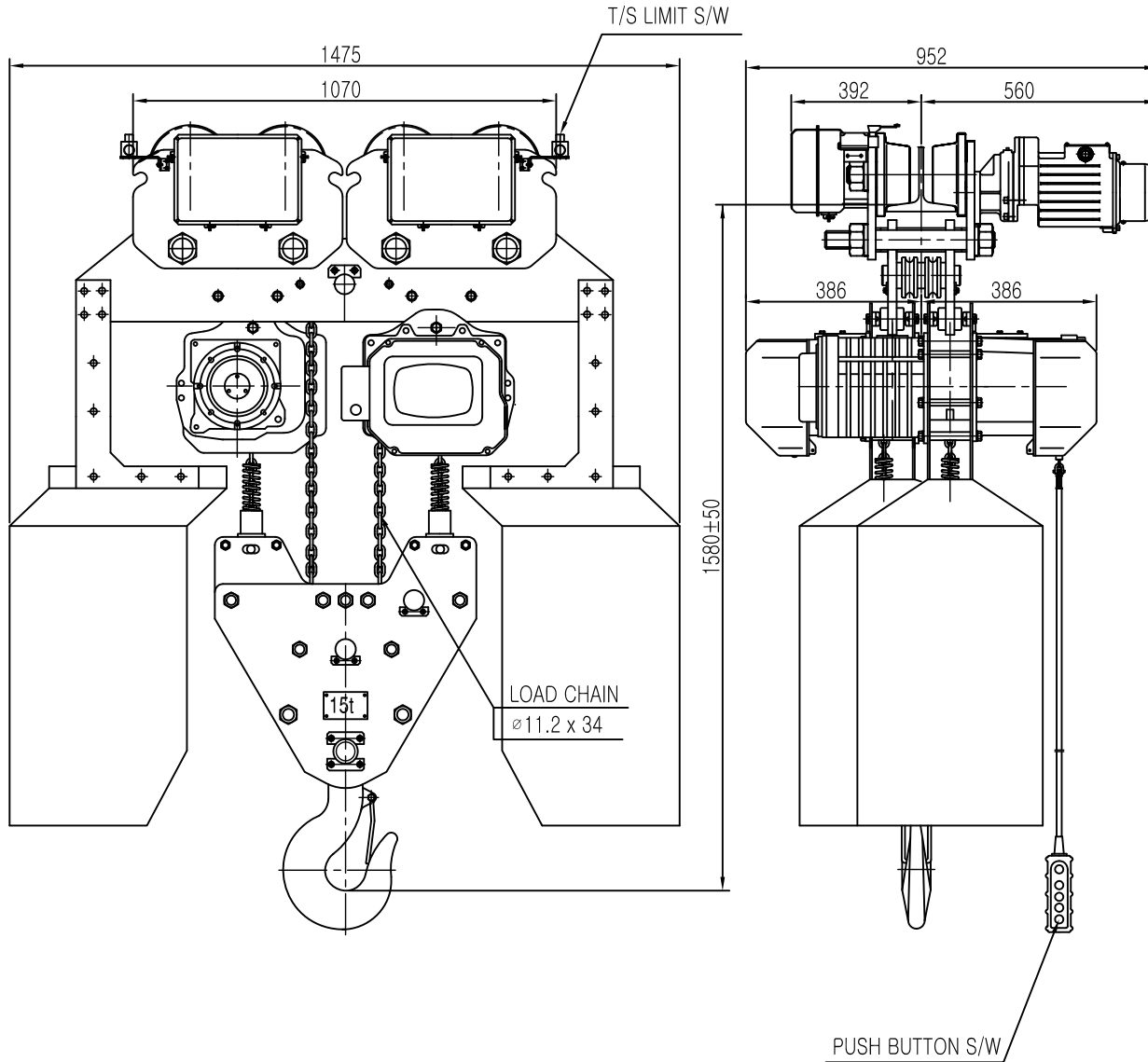


L K HOIST

ON DRAWING

NO	DESCRIPTION	SIZE	MAT'L	Q'TY	WT (kg)	REMARKS



SPECIFICATION

		LK-DBM-15W		
RATED LOAD (TON)		15		
TESTING LOAD (TON)		18.75		
LIFTING HEIGHT (M)		50		
HOISTING	SPEED (M/MIN)	2.1/0.7		
	MOTOR (KW)	4.4/2.2kw x 2/6p (2SET)		
TRAVERSING	SPEED (M/MIN)	15	10	15/5
	MOTOR (KW)	0.75kw x 4p (2SET)	0.4kw x 6p (2SET)	0.75/0.25kw x 4/12p (2SET)
POWER SUPPLY		AC220.380.440.460.480Vx3ø x 60 Hz		
OPERATING METHOD		P.B type ON . FL		
LOAD CHAIN		ø11.2 X 34 (6FALL)		
WEIGHT (KG)		1680KG		
I-BEAM 적용폭		150 ~ 190MM		

적용 I-BEAM)

- 1) 지점간거리 : I-300X150X10/18.5-1.5M
- 2) 지점간거리 : I-450X175X13/26-4.0M
- 3) 지점간거리 : I-600X190X13/25-6.0M

NOTE)

- 1)점검 설비를 갖출 것
- 2)인허가 서류를 완성검사시 제출 할 것

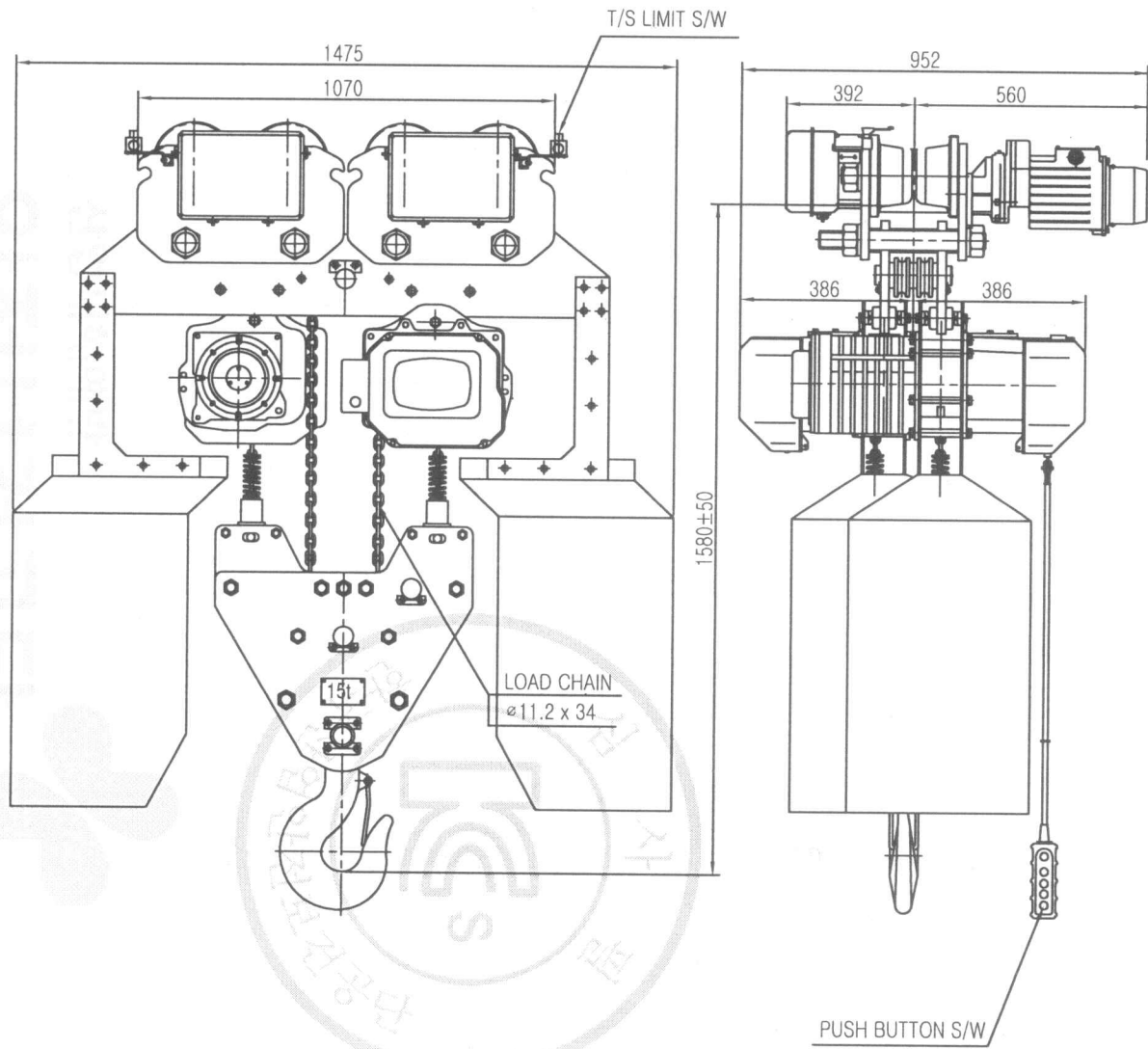
REV.NO	DATE	REVISION	DESCRIPTION	DRAWN	CHECKED	APPROVED

TITLE					PROJECTION		
DBM-15W ELECTRIC CHAIN HOIST							
WORK NO	WORK NAME				SCALE	Q' TY	
	LK-DBM-15W				N S	1	
DRAWN	CHECKED	REVIEWED	APPROVED	DRAWING NO			
김 창 기				CODE NO			
2010.08.01							
L K HOIST CO., LTD.							

ON DBM15W

L K HOIST

NO	DESCRIPTION	SIZE	MAT'L	Q'TY	WT (kg)	REMARKS



SPECIFICATION

		LK-DBM-15W		
RATED LOAD (TON)		15		
TESTING LOAD (TON)		18.75		
LIFTING HEIGHT (M)		50		
HOISTING	SPEED (M/MIN)	2.1/0.7		
	MOTOR (KW)	4.4/2.2kw x 2/6p (2SET)		
TRAVERSING	SPEED (M/MIN)	15	10	15/5
	MOTOR (KW)	0.75kw x 4p (2SET)	0.4kw x 6p (2SET)	0.75/0.25kw x 4/12p (2SET)
POWER SUPPLY		AC220.380.440.460.480Vx3ø x 60 Hz		
OPERATING METHOD		P.B type ON, FL		
LOAD CHAIN		ø11.2 X 34 (6FALL)		
WEIGHT (KG)		1680KG		
I-BEAM 적용폭		150 ~ 190MM		

적용 I-BEAM)

- 1) 지점간거리 : I-300X150X10/18.5-1.5M
- 2) 지점간거리 : I-450X175X13/26-4.0M
- 3) 지점간거리 : I-600X190X13/25-6.0M

NOTE)

- 1) 점검 설비를 갖춘 것
- 2) 인허가 서류를 완성검사시 제출 할 것

물범복제 및 배포금지

REV. NO	DATE	REVISION	DESCRIPTION	DRAWN	CHECKED	APPROVED

TITLE				PROJECTION	
DBM-15W ELECTRIC CHAIN HOIST					
WORK NO	WORK NAME			SCALE	Q'TY
	LK-DBM-15W			N S	1
DRAWN	CHECKED	REVIEWED	APPROVED	DRAWING NO	
김창기					
2010.08.01				CODE NO	
L K HOIST CO., LTD.					