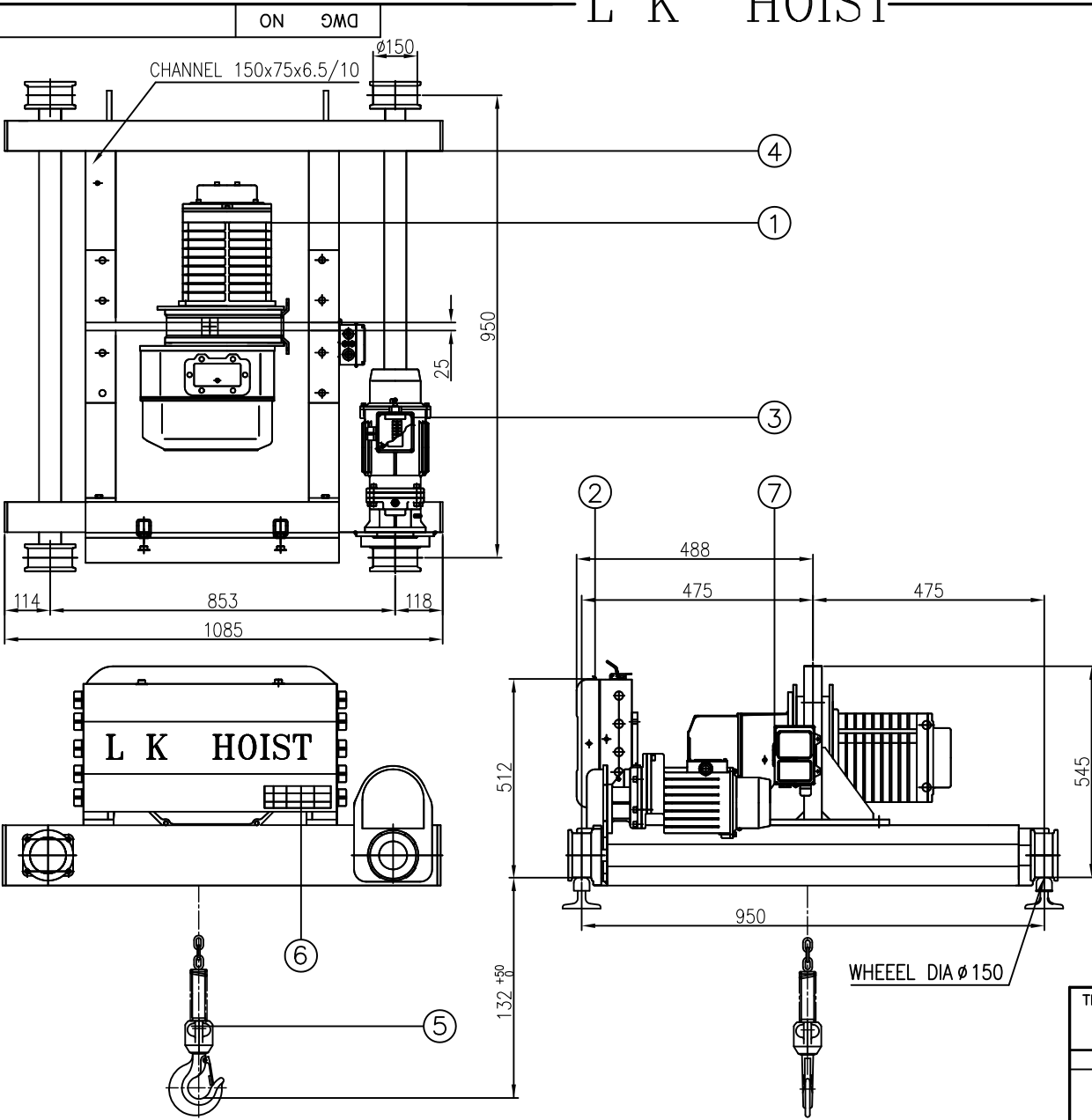


L K HOIST



	DESCRIPTION	SIZE	MAT'	REMARKS
1	HOISTING MOTOR ASS'Y		1	
2	HOISTING CONTROL ASS'Y		1	
3	GEARD MOTOR ASS'Y		1	
4	GRAB PART ASS'Y		1	
5	BOTTOM HOOK ASS'Y		1	
6	NAME PLATE		1	
7	LOAD LIMITEER		1	

SPECIFICATION			
RATED LOAD	1.9 TON		
TESTING LOAD	2.375 TON		
LIFTING HEIGHT	30 M		
HOISTING SPEED/MOTOR	8.1/2.7 m/min	4.4/2.2KW(2/6P)	
	24m/min	0.75KW(4P)	
TRAVERSING SPEED/MOTOR	16m/min	0.5KW(6P)	
	17/5.4m/min * 0.75/0.25kw * 4/12p		
POWER SUPPLY	AC220,380,440,460V,480Vx 3 ϕ x 60 Hz		
OPERATING METHOD	P.B type ON . FL		
WIEGHT	350kg		
RAIL	15KG/M		
CHAIN 사양	$\phi 11.2$ X 34(1줄)		
RAIL GgeR	950		

- NOTE)
1. 점검 설비를 갖출 것.
 2. 인허가 서류를 완성 검사시 제출 할 것.

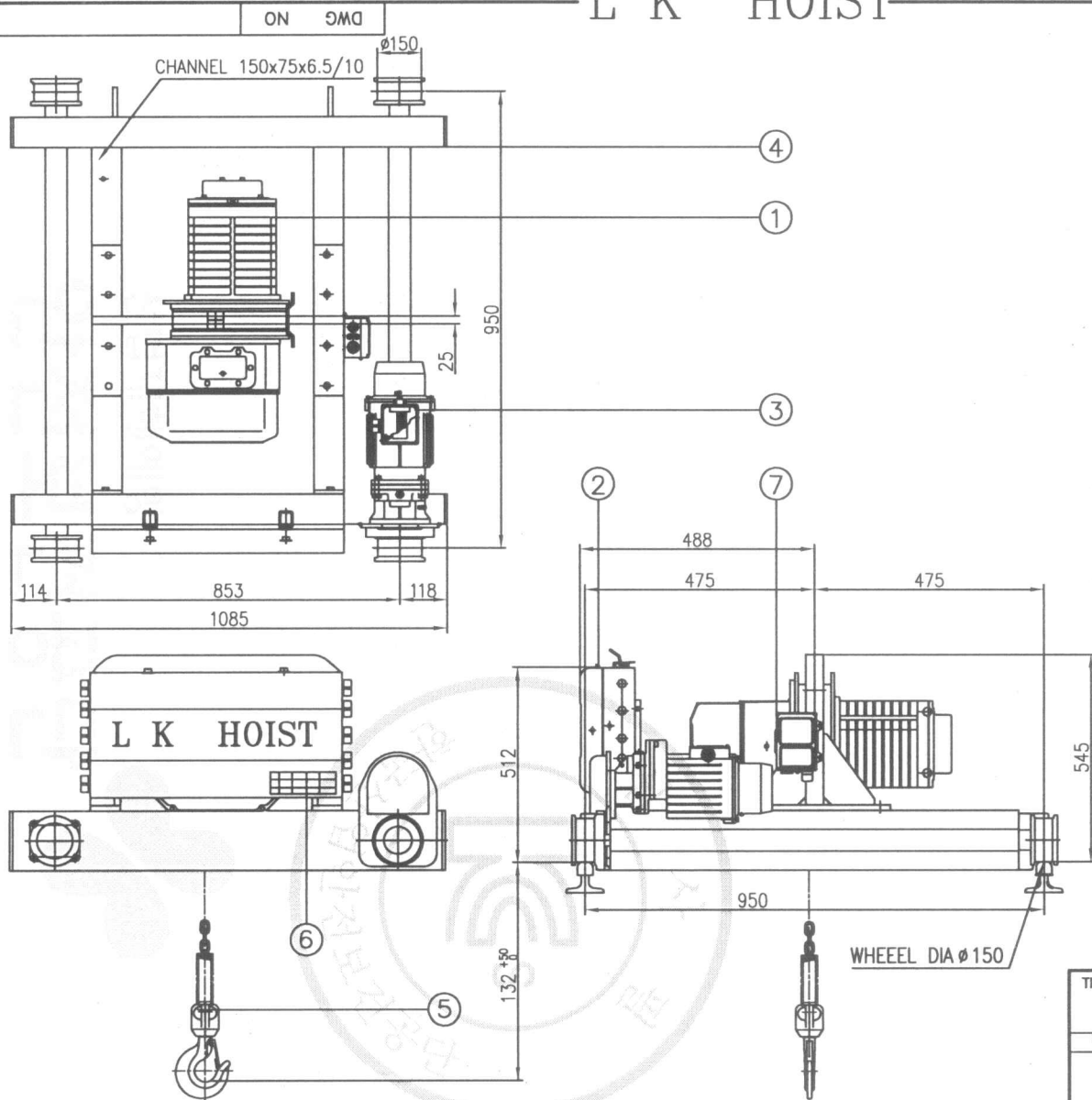
TITLE				PROJECTION	
DBD-1.9S CHAIN HOIST					
WORK NO	WORK NAME			SCALE	Q' TY
	LK-DBD-1.9S				
DRAWN	CHECKED	REVIEWED	APPROVED	DRAWING NO	
김 창 기				CODE NO	
2010.09.16					

차수	3-6	6-30	30-120	120-315	315-1000
가공별					
선					
구멍간					
거리	± 0.1	± 0.2	± 0.3	± 0.5	± 0.8

REV.NO	DATE	REVISION	DESCRIPTION	DRAWN	CHECKED	APPROVED

L K HOIST CO., LTD.

L K HOIST



	DESCRIPTION	SIZE	MAT'	REMARKS
1	HOISTING MOTOR ASS'Y		1	
2	HOISTING CONTROL ASS'Y		1	
3	GEARD MOTOR ASS'Y		1	
4	GRAB PART ASS'Y		1	
5	BOTTOM HOOK ASS'Y		1	
6	NAME PLATE		1	
7	LOAD LIMITEER		1	

SPECIFICATION			
RATED LOAD	1.9 TON		
TESTING LOAD	2.375 TON		
LIFTING HEIGHT	30 M		
HOISTING SPEED/MOTOR	8.1/2.7 m/min	4.4/2.2KW(2/6P)	
	24m/min	0.75KW(4P)	
TRAVERSING SPEED/MOTOR	16m/min	0.5KW(6P)	
	17/5.4m/min * 0.75/0.25kw * 4/12p		
POWER SUPPLY	AC220,380,440,460V,480Vx 3φ x 60 Hz		
OPERATING METHOD	P.B type ON . FL		
WIEGHT	350kg		
RAIL	15KG/M		
CHAIN 사양	φ11.2 X 34(1#)		
RAIL GgeR	950		

NOTE)

1. 점검 설비를 갖출 것.
2. 인허가 서류를 완성 검사시 제출 할 것.

TITLE		PROJECTION	
DBD-1.9S CHAIN HOIST			
WORK NO	WORK NAME	SCALE	Q' TY
	LK-DBD-1.9S		

DRAWN	CHECKED	REVIEWED	APPROVED	DRAWING NO
김창기				
2010.09.16				CODE NO

가공별 치수	3-6	6-30	30-120	120-315	315-1000
선삭	±0.1	±0.2	±0.3	±0.5	±0.8
구멍간 거리					

REV.NO	DATE	REVISION	DESCRIPTION	DRAWN	CHECKED	APPROVED

L K HOIST CO., LTD.

열린공회 및 배포금지