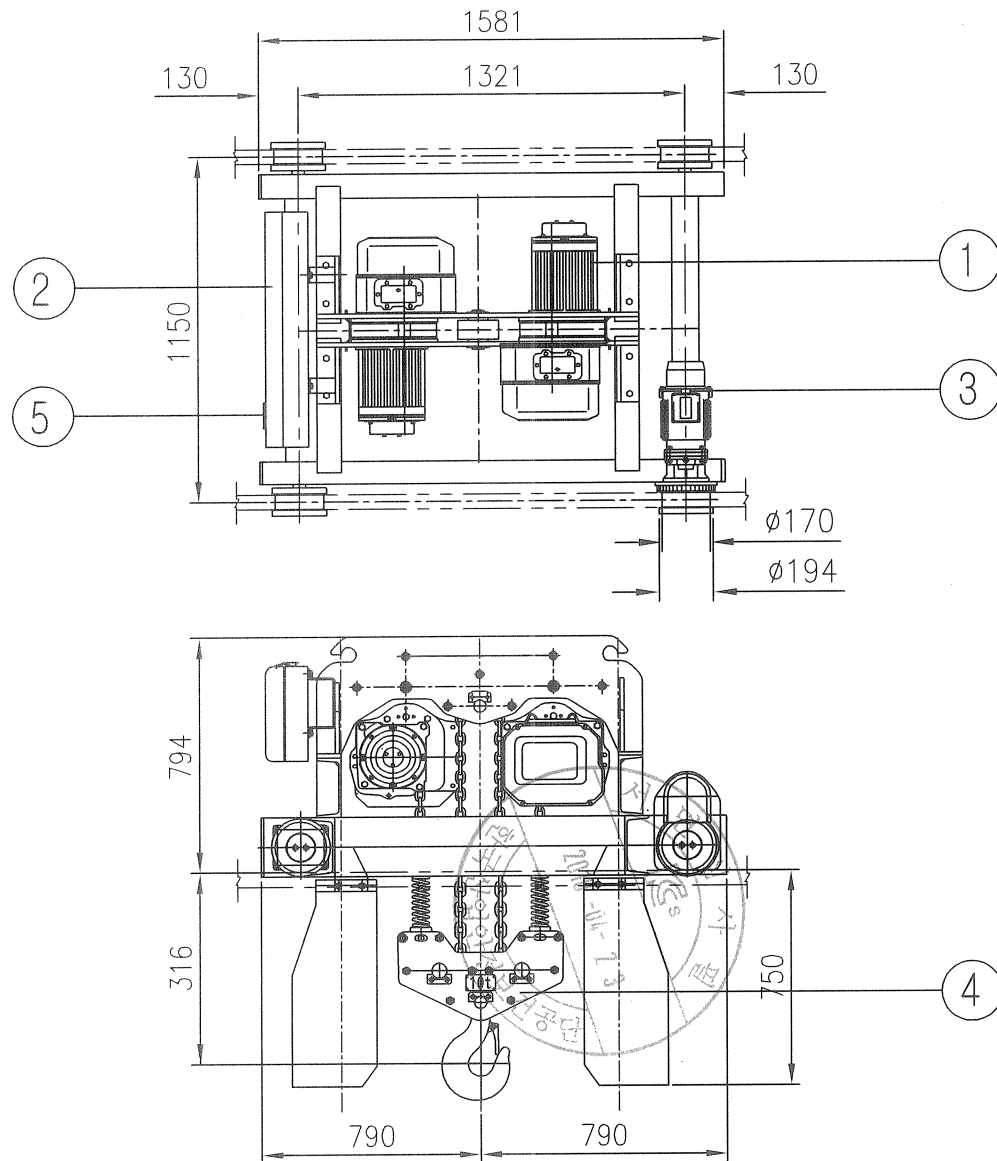


L K HOIST



NO	DESCRIPTION	SIZE	MAT	REMARKS
1	HOISTING MOTOR ASS'Y		2	
2	HOISTING CONTROL ASS'Y		1	
3	GEARED MOTOR ASS'Y		1	
4	BOTTOM HOOK ASS'Y		1	
5	NAME PLATE		1	

SPECIFICATION		
RATED LOAD	10	TON
TESTING LOAD	12.5	TON
LIFTING HEIGHT	25	M
HOISTING	SPEED	MOTOR
	3.25 m/min	3.5KW(4P) X 2SET
TRAVERSING	15m/min	0.75KW(4P)
	10m/min	0.5KW(6P)
POWER SUPPLY	AC220.380.440.460.480V x 3- x 60 Hz	
OPERATING METHOD	P.B type ON . FL	
WIEGHT	890 KG	
RAIL	15Kg/m	
RAIL gauge	1150MM	
LOAD CHAIN	11.2 X 34 (4줄)	

TITLE				PROJECTION	
LK-DAD-10W CHAIN HOIST					
WORK NO	WORK NAME			SCALE	Q'TY
				N/S	1
DRAWN	CHECKED	REVIEWED	APPROVED	DRAWING NO	
김 창 기				CODE NO	
2010.04.05					
L K HOIST CO., LTD.					

REV.NO	DATE	REVISION	DESCRIPTION	DRAWN	CHECKED	APPROVED