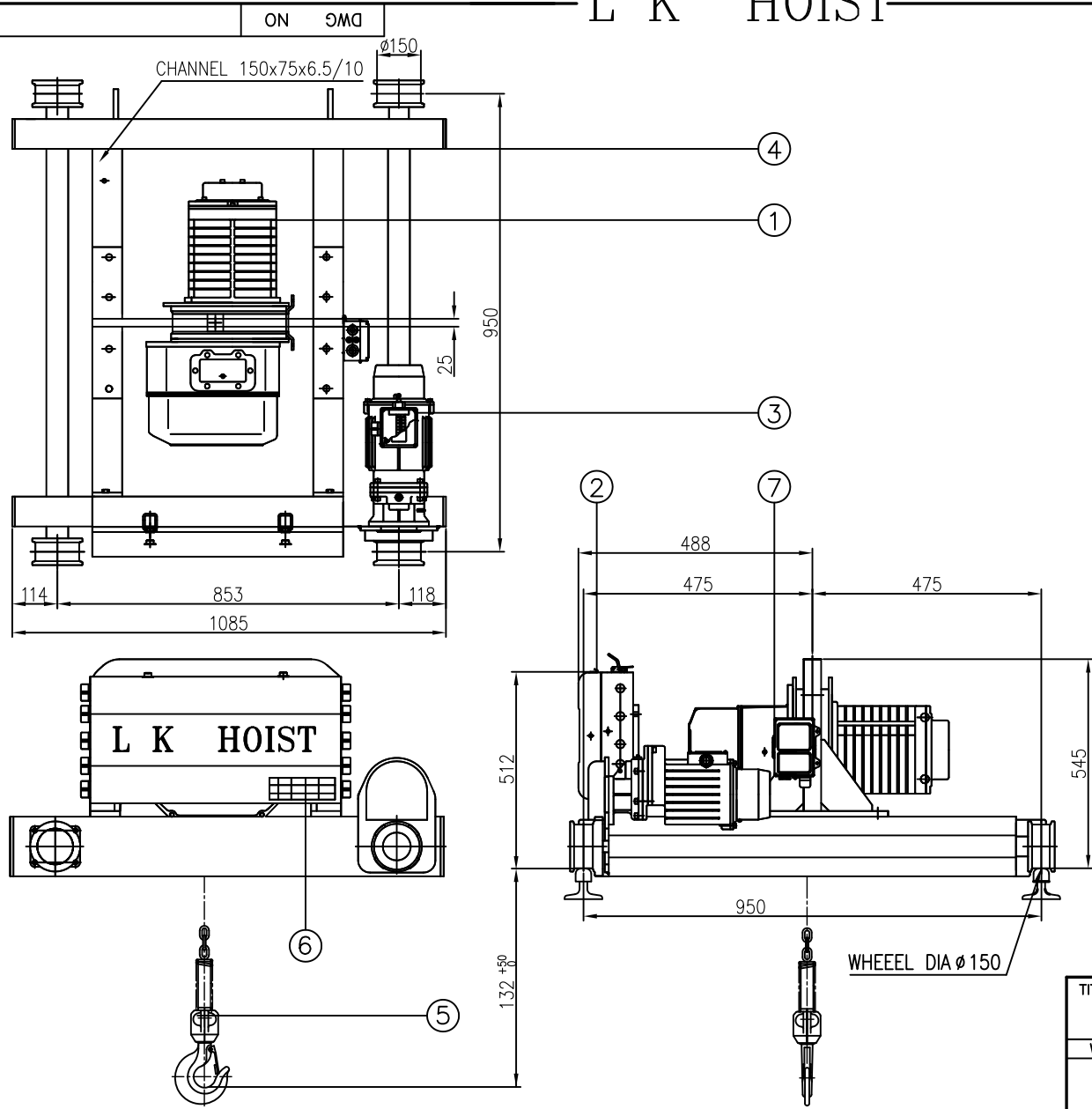


# L K HOIST



	DESCRIPTION	SIZE	MAT'	REMARKS
1	HOISTING MOTOR ASS'Y		1	
2	HOISTING CONTROL ASS'Y		1	
3	GEARD MOTOR ASS'Y		1	
4	GRAB PART ASS'Y		1	
5	BOTTOM HOOK ASS'Y		1	
6	NAME PLATE		1	
7	LOAD LIMITEER		1	

SPECIFICATION			
RATED LOAD	2		TON
TESTING LOAD	2.5		TON
LIFTING HEIGHT	30		M
HOISTING SPEED/MOTOR	8.1m/min	3.5KW(4P)	
	24m/min	0.75KW(4P)	
TRAVERSING SPEED/MOTOR	16m/min	0.5KW(6P)	
	17/5.4m/min * 0.75/0.25kw * 4/12p		
POWER SUPPLY	AC220,380,440,460V,480Vx 3ø x 60 Hz		
OPERATING METHOD	P.B type ON . FL		
WIEGHT	333kg		
RAIL	15KG/M		
CHAIN 사양	Ø11.2 X 34(1줄)		
RAIL GgeR	950		

NOTE)  
 1. 점검 설비를 갖출 것.  
 2. 인허가 서류를 완성 검사시 제출 할 것.

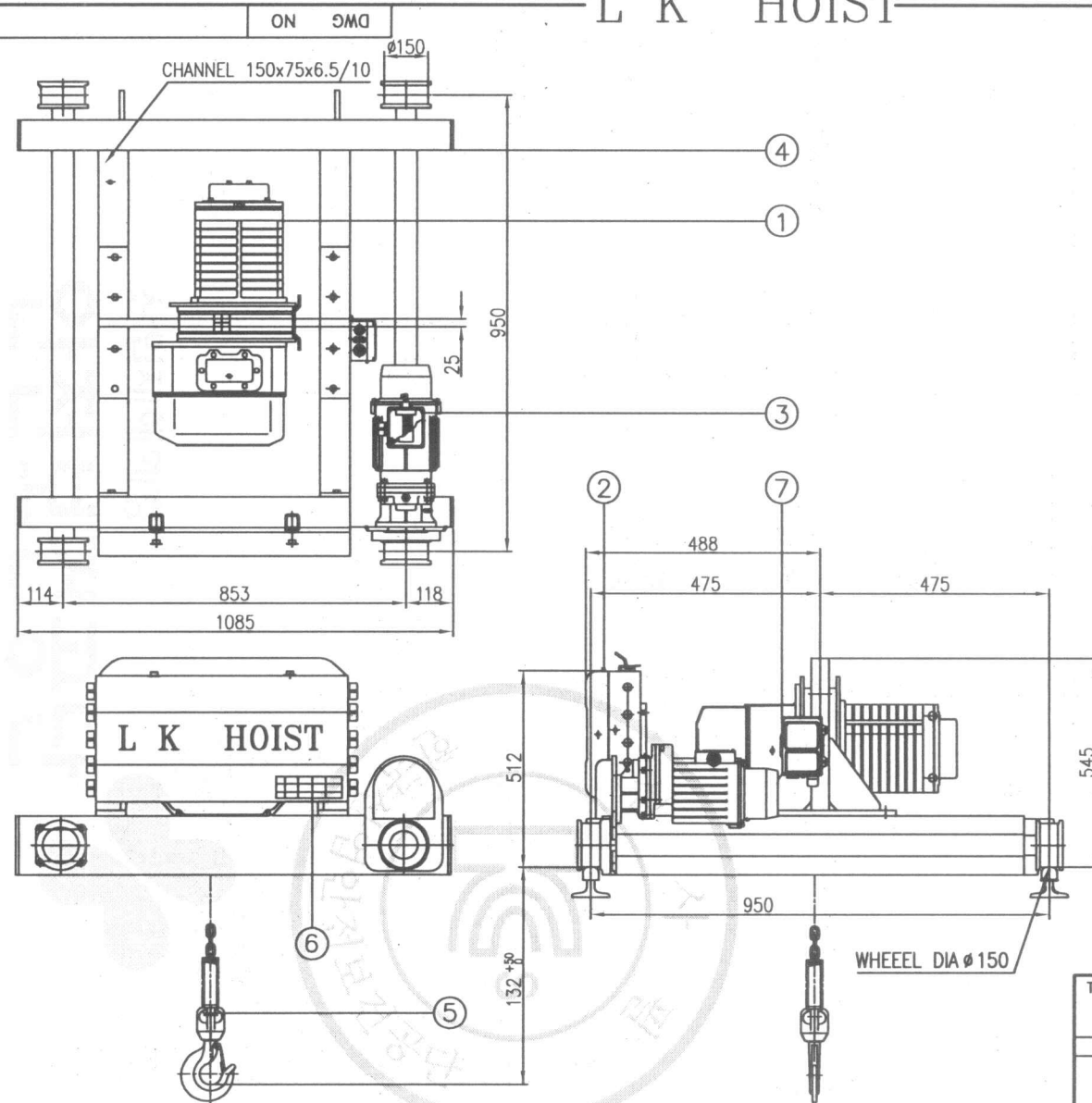
TITLE				PROJECTION	
DAD-2S CHAIN HOIST					
WORK NO	WORK NAME			SCALE	Q' TY
	LK-DAD-2S				
DRAWN	CHECKED	REVIEWED	APPROVED	DRAWING NO	
김창기					
2010.09.16				CODE NO	

가공별	치수	3-6	6-30	30-120	120-315	315-1000
선	삭	±0.1	±0.2	±0.3	±0.5	±0.8
구멍간	거리					

REV.NO	DATE	REVISION	DESCRIPTION	DRAWN	CHECKED	APPROVED

**LK** L K HOIST CO., LTD.

# L K HOIST



	DESCRIPTION	SIZE	MAT'	REMARKS
1	HOISTING MOTOR ASS'Y		1	
2	HOISTING CONTROL ASS'Y		1	
3	GEARD MOTOR ASS'Y		1	
4	GRAB PART ASS'Y		1	
5	BOTTOM HOOK ASS'Y		1	
6	NAME PLATE		1	
7	LOAD LIMITEER		1	

SPECIFICATION			
RATED LOAD	2		TON
TESTING LOAD	2.5		TON
LIFTING HEIGHT	30		M
HOISTING SPEED/MOTOR	8.1m/min	3.5KW(4P)	
	24m/min	0.75KW(4P)	
TRAVERSING SPEED/MOTOR	16m/min	0.5KW(6P)	
	17/5.4m/min * 0.75/0.25kw * 4/12p		
POWER SUPPLY	AC220,380,440,460V,480Vx 3φ x 60 Hz		
OPERATING METHOD	P.B type ON . FL		
WIEGHT	333kg		
RAIL	15KG/M		
CHAIN 사양	φ11.2 X 34(1줄)		
RAIL GgeR	950		

NOTE)

1. 점검 설비를 갖출 것.
2. 인허가 서류를 완성 검사시 제출 할 것.

TITLE				PROJECTION	
DAD-2S CHAIN HOIST					
WORK NO	WORK NAME			SCALE	Q' TY
	LK-DAD-2S				
DRAWN	CHECKED	REVIEWED	APPROVED	DRAWING NO	
김 창 기					
2010.09.16				CODE NO	
L K HOIST CO., LTD.					

구멍별 치수	3-6	6-30	30-120	120-315	315-1000
선삭	±0.1	±0.2	±0.3	±0.5	±0.8
구멍간 거리	±0.1	±0.2	±0.3	±0.5	±0.8

REV.NO	DATE	REVISION DESCRIPTION	DRAWN	CHECKED	APPROVED

물범물제 및 배포금지