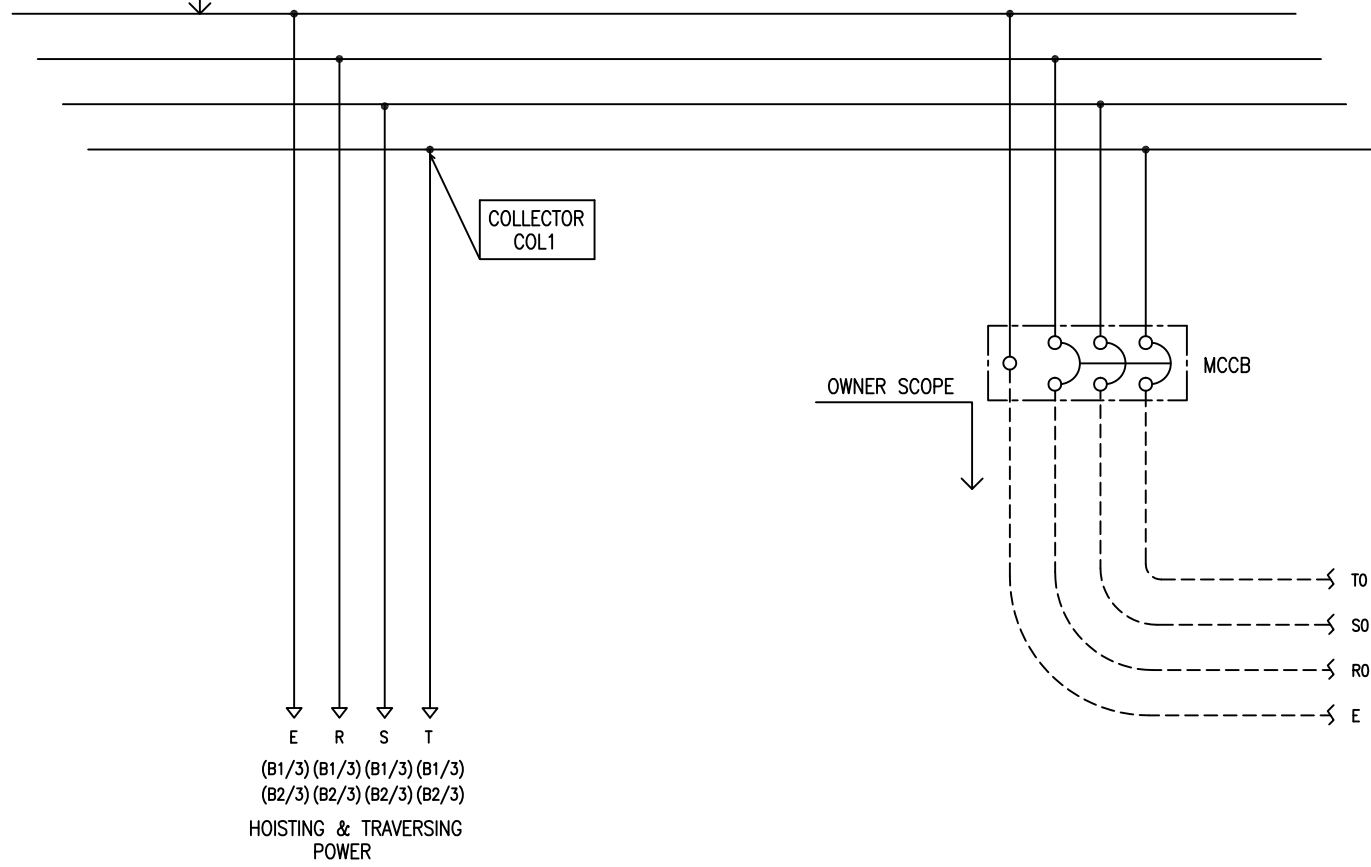


TRAVELLING POWER
SUPPLY SYSTEM
TB1(Trolley Bar
or Festoon Type)

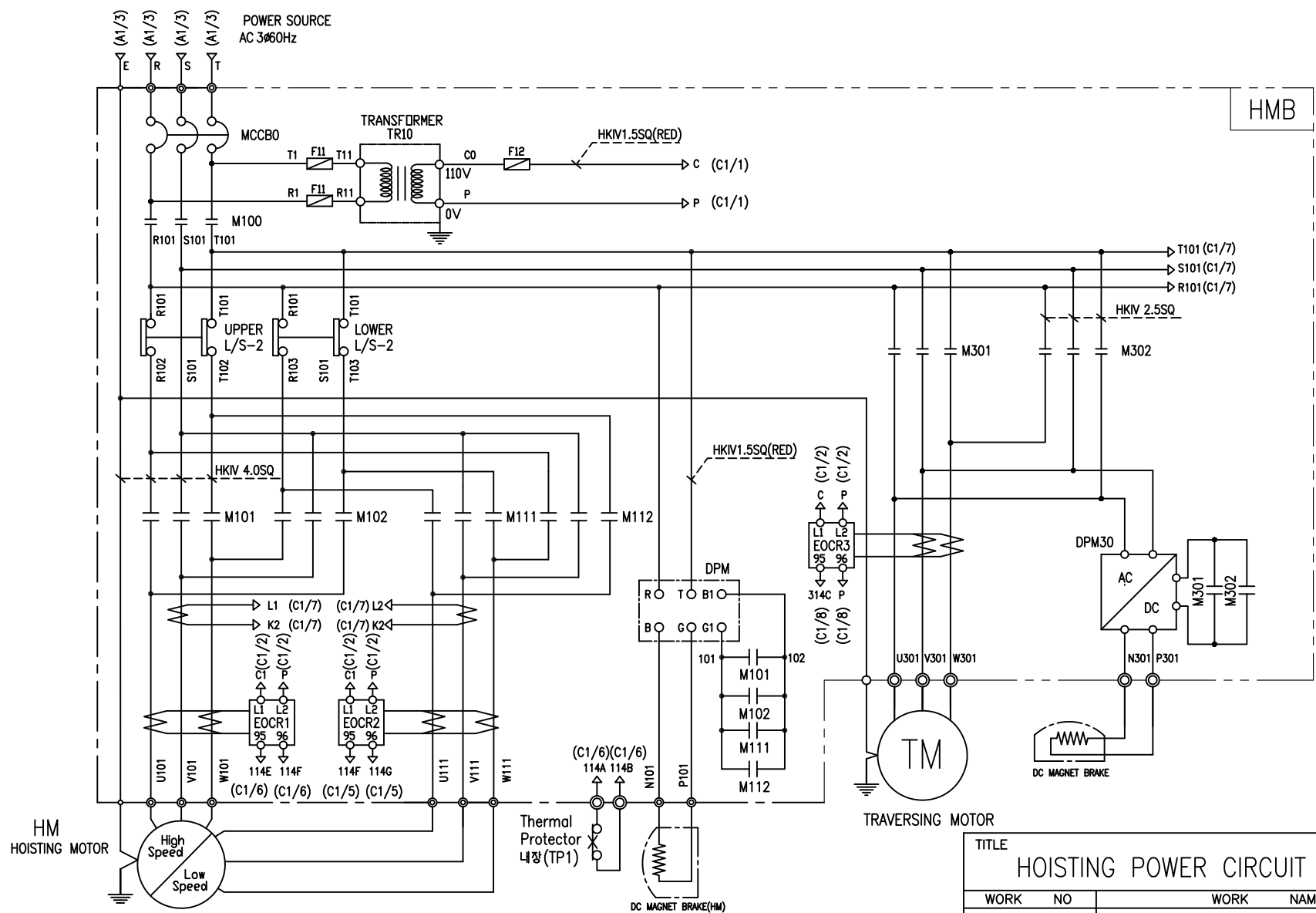


(B1/3) (B1/3) (B1/3) (B1/3)
(B2/3) (B2/3) (B2/3) (B2/3)
HOISTING & TRAVERSING
POWER

MAIN POWER SOURCE
AC 3Ø60Hz 220V, 380V, 440V, 460V, 480V

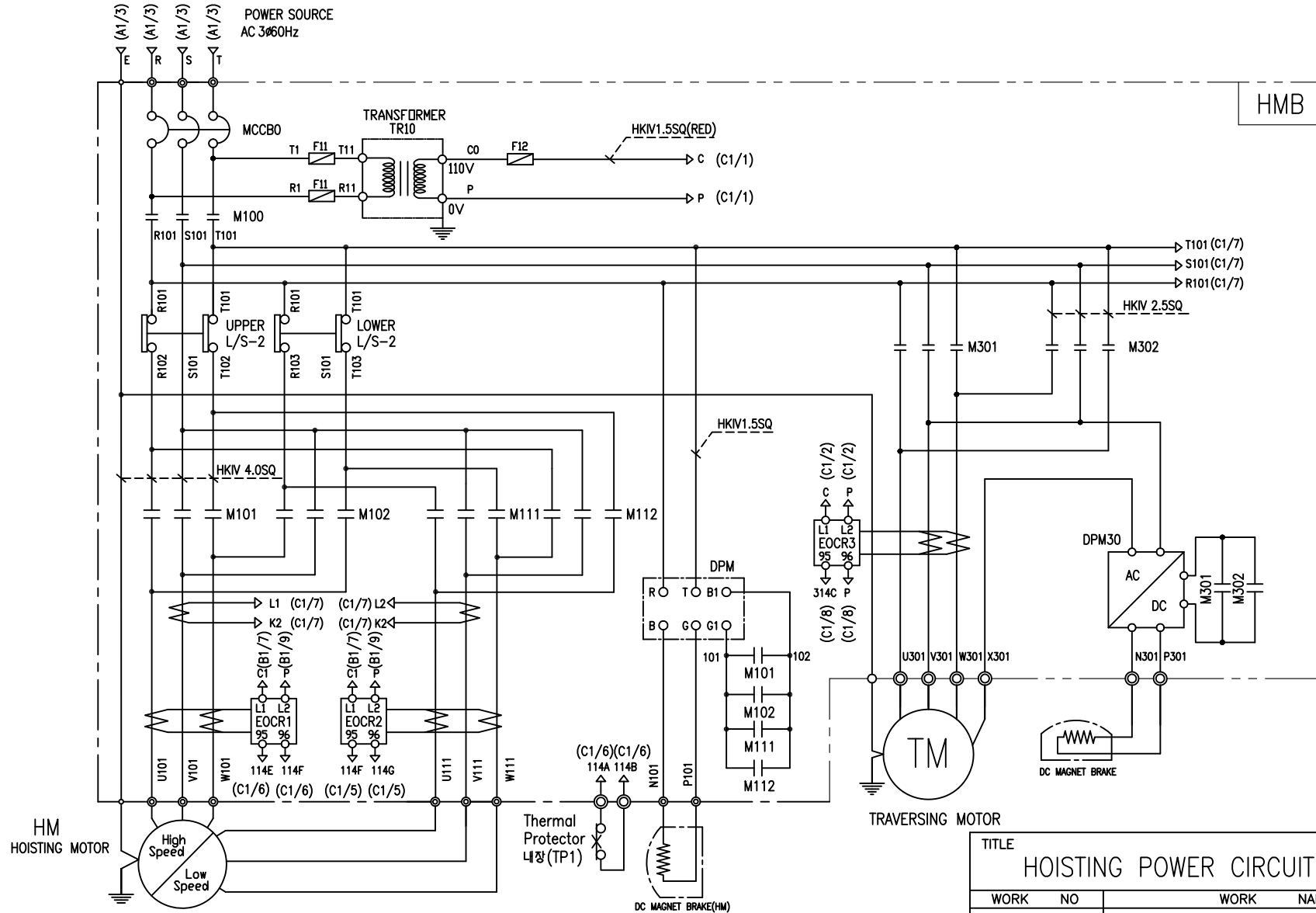
- NOTE-
- 1. - - - - MARKED OWNER SCOPE
 - 2. ——— MARKED CRAIN MAKER SCOPE

TITLE MAIN POWER CIRCUIT DIAGRAM1				PROJECTION 	
WORK NO 601	WORK NAME DBD			SCALE 1/1	Q' TY 1
220V, 380V, 440V, 460V, 480V					
DRAWN LEE.G.H	CHECKED	REVIEWED	APPROVED	MODEL	
2010.08.06				CODE NO	
L K HOIST CO., LTD.					



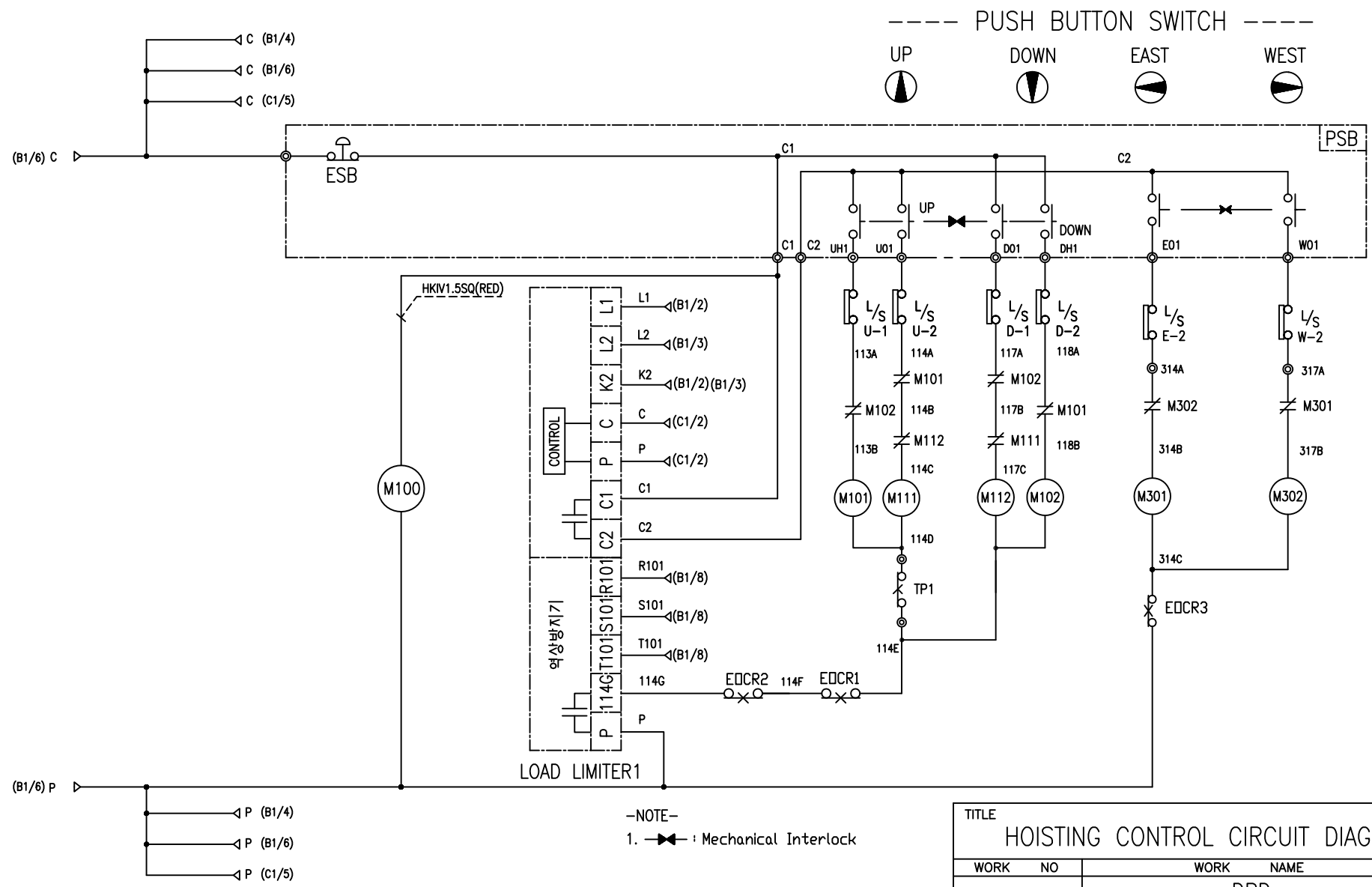
SPECIFICATION	NO FUSE BREAKER	MAGNET CONTACTOR			TRANSFORMER	SILICON RECTIFIER				과전류계전기	FUSE	HOISTING MOTOR	TRAVERSING MOTOR		
SYMBOLS	MCCB0	M100	M101, M102 M111, M112	M301, M302	TR10	DPM, DPM30				EOCR1 EOCR2	EOCR3	F11	F12	HM	TM
DESCRIPTION	220V 40A 440V 30A 460V 30A 480V 30A	DMC22	DMC32	DMC12	60 VA	AC220V	AC440V	AC460V	AC480V	SS-30	SS-06	1A	2A	4.4Kw x 2P / 2.2Kw x 6P	0.75Kw * 4P 0.5Kw * 6P
MAKER	LS	DONGA			YOUNG DONG	LK				SAMWHA		-	LK	LK	

TITLE						PROJECTION	
HOISTING POWER CIRCUIT DIAGRAM							
WORK NO	WORK NAME					SCALE	Q' TY
602	DBD						
220V, 440V, 460V, 480V							
DRAWN	CHECKED	REVIEWED	APPROVED	MODEL			
LEE.G.H							
2010.08.06				CODE NO	CODE_NO		
L K HOIST CO., LTD.							



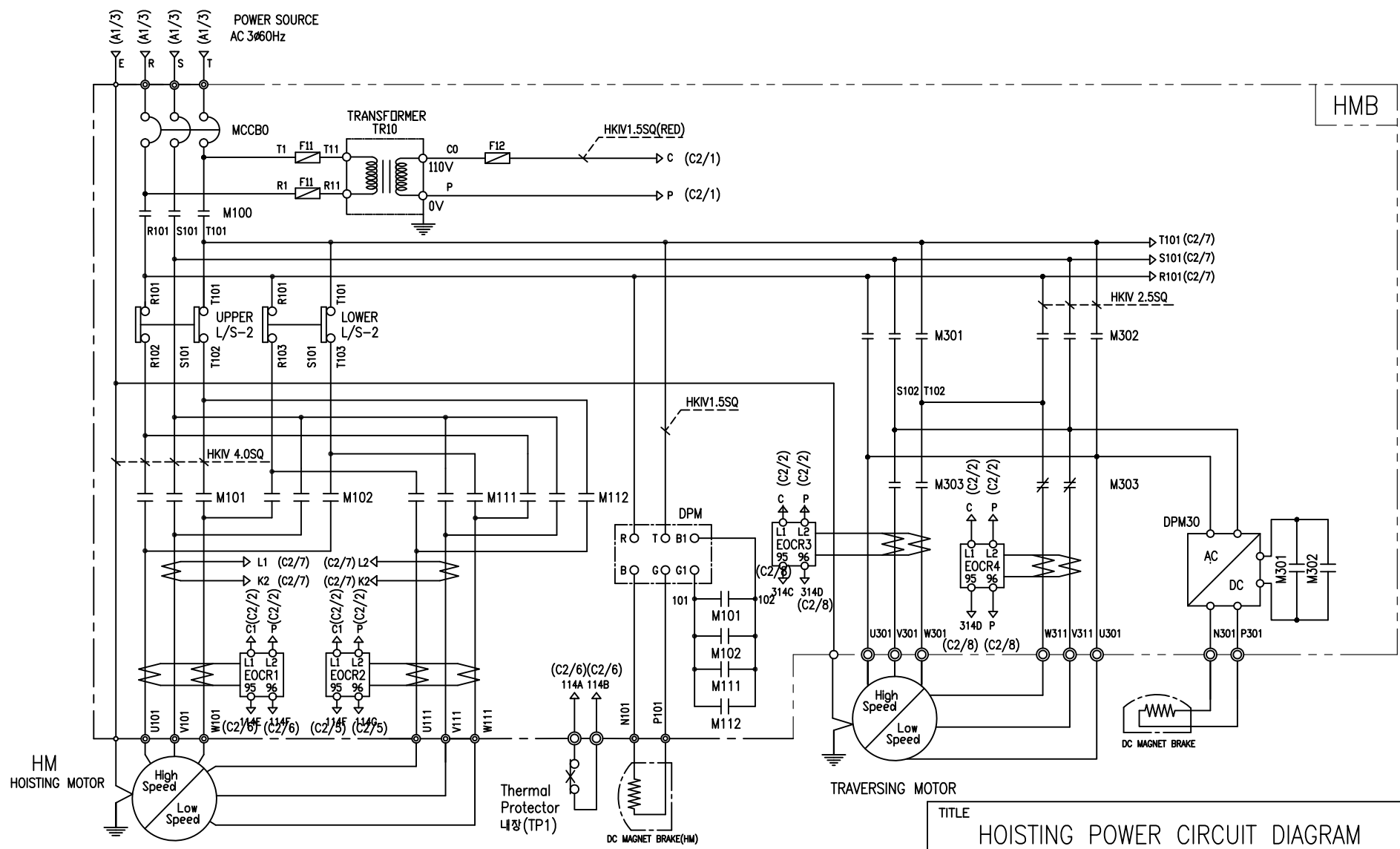
SPECIFICATION	NO FUSE BREAKER		MAGNET CONTACTOR			TRANSFORMER	SILICON RECTIFIER		과전류계전기		FUSE	HOISTING MOTOR	TRAVERSING MOTOR	
SYMBOLS	MCCB0		M100	M101, M102	M301, M302	TR10	DPM, DPM30		EOCR1	EOCR3	F11	F12	HM	TM
DESCRIPTION	380V	30A	DMC22	DMC32	DMC12	60 VA	AC220V		SS-30	SS-06	1A	2A	4.4Kw x 2P / 2.2Kw x 6P	0.75Kw * 4P 0.5Kw * 6P
MAKER	LS		DONGA			YOUNG DONG	LK		SAMWHA		-		LK	LK

TITLE HOISTING POWER CIRCUIT DIAGRAM						PROJECTION 	
WORK NO 603		WORK NAME DBD				SCALE Q' TY	
		380V					
DRAWN	CHECKED	REVIEWED	APPROVED	MODEL			
LEE.G.H							
2010.08.06				CODE NO	CODE_NO		
L K HOIST CO., LTD.							



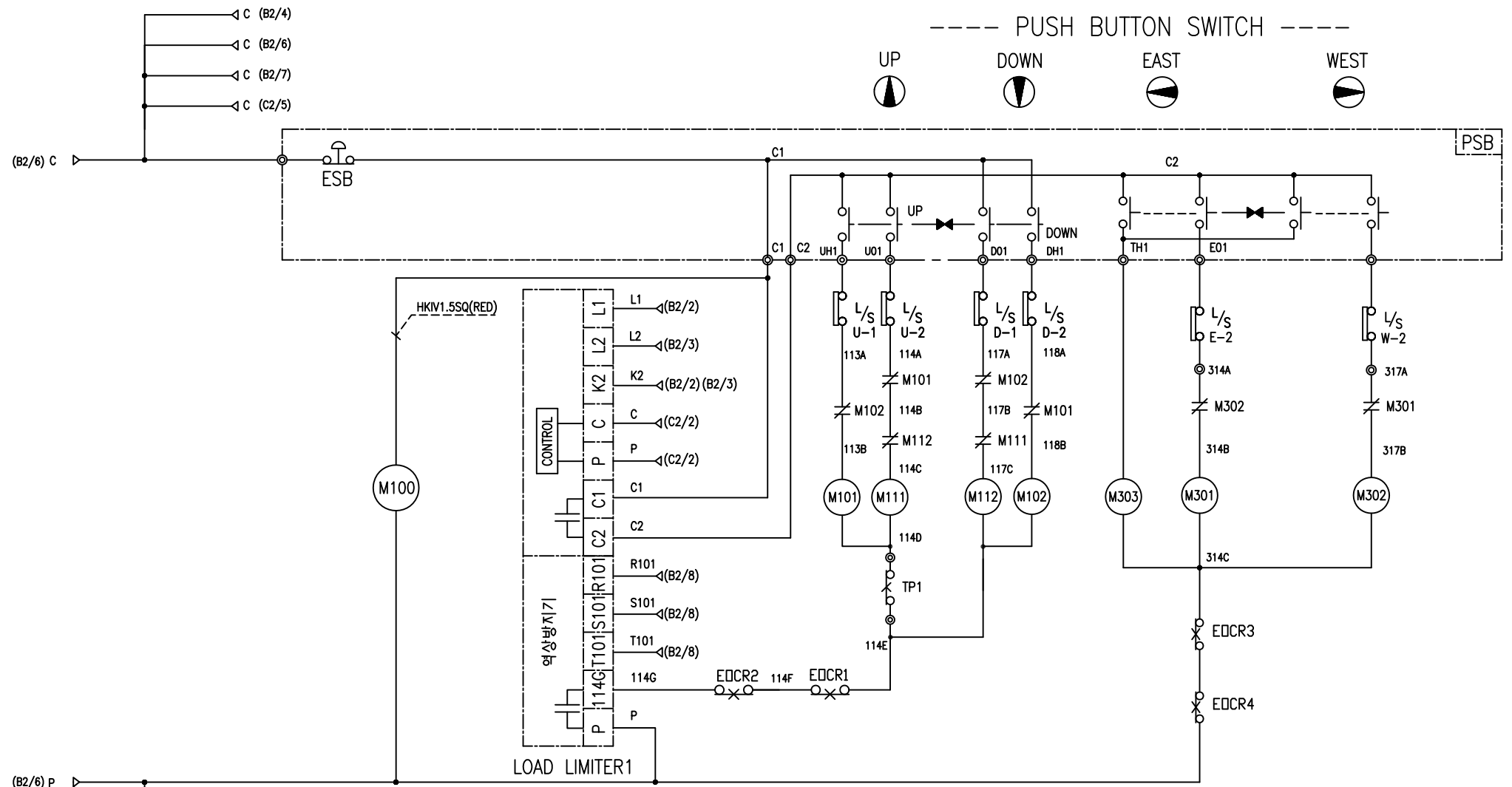
SPECIFICATION	LOAD LIMITER
SYMBOLS	LKDL60A
DESCRIPTION	1A - 50A
MAKER	LK

TITLE				PROJECTION	
HOISTING CONTROL CIRCUIT DIAGRAM					
WORK NO	WORK NAME			SCALE	Q' TY
604	DBD				
220V, 380V, 440V, 460V, 480V					
DRAWN	CHECKED	REVIEWED	APPROVED	MODEL	
LEE.G.H				CODE NO	CODE_NO
2010.08.06					
L K HOIST CO., LTD.					



SPECIFICATION	NO FUSE BREAKER	MAGNET CONTACTOR	TRANSFORMER	SILICON RECTIFIER	과전류계전기	FUSE	HOISTING MOTOR	TRAVERSING MOTOR
SYMBOLS	MCCB0	M100 M101, M102 M111, M112	TR10	DPM, DPM30	EOCR1 EOCR3 EOCR2 EOCR4	F11 F12	HM	TM
DESCRIPTION	220V 40A 380V 30A 440V 30A 460V 30A 480V 30A	DMC22 DMC32 DMC12	60 VA	AC220V AC380V AC440V AC460V AC480V DC99V DC171V DC198V DC207V DC216V	SS-30 SS-06	1A 2A	4.4Kw x 2P / 2.2Kw x 6P	0.75Kw * 4P / 0.25Kw * 12P
MAKER	LS	DONGA	YOUNG DONG	LK	SAMWHA	-	LK	LK

TITLE				PROJECTION	
HOISTING POWER CIRCUIT DIAGRAM					
WORK NO		WORK NAME		SCALE	Q' TY
605		DBD			
220V, 380V, 440V, 460V, 480V					
DRAWN	CHECKED	REVIEWED	APPROVED	MODEL	
LEE.G.H					
2010.08.06				CODE NO	CODE_NO
L K HOIST CO., LTD.					



-NOTE-
1. —> —> : Mechanical Interlock

SPECIFICATION	LOAD LIMITER
SYMBOLS	LKDL60A
DESCRIPTION	1A - 50A
MAKER	LK

TITLE HOISTING CONTROL CIRCUIT DIAGRAM				PROJECTION 	
WORK NO 606	WORK NAME DBD			SCALE	Q' TY
220V, 380V, 440V, 460V, 480V					
DRAWN LEE.G.H	CHECKED	REVIEWED	APPROVED	MODEL	
2010.08.06				CODE NO	CODE_NO
L K HOIST CO., LTD.					

SCHEDULE OF TECHNICAL DATA

1. SERVICE	HOISTING
2. MANUFACTURE	LK HOIST CO. LTD
3. MOTOR MODEL NO	4.4/2.2 - 2/6 - 44
4. RATED POWER	4.4/2.2 KW × 2/6 P
5. RATED VOLTAGE AND FREQUENCY	440 V 60HZ
6. MOTOR TYPE	SQUIRREL CAGE ROTOR TYPE
7. RATING	30 MIN
8. LOCATION	OUTDOOR
9. INSULATION CLASS	B
10. DESIGN TEMPERATURE RISE (BY RESISTANCE)	80℃
11. FULL LOAD SPEED	3440/1140 RPM
12. FULL LOAD CURRENT	11.2/5.6 A
13. STARTING CURRENT AT RATED VOLTAGE	54.9/28.6 A
14. MINIMUM STARTING VOLTAGE	396 V
15. EFFICIENCY AT 100% RATED LOAD	73/73 %
16. POWER FACTOR AT 100% RATED LOAD	71/71 %
17. STARTING TORQUE	243 %
18. TYPE OF ENCLOSURE	전폐형
19. TYPE OF BEARING	PL : 6205DD OPL : 6008ZZ
20. MOUNTING	VERTICAL
21. MAXIMUM AMBIENT TEMPURE	40℃
22. BEARING LUBRICATION	GREASE
23. STARTING METHOD	FULL VOLTAGE

SCHEDULE OF TECHNICAL DATA

1. SERVICE	TRAVERSING
2. MANUFACTURE	LK HOIST CO. LTD
3. MOTOR MODEL NO	0.75 - 4 - 44
4. RATED POWER	0.75 KW × 4 P
5. RATED VOLTAGE AND FREQUENCY	440 V 60HZ
6. MOTOR TYPE	SQUIRREL CAGE ROTOR TYPE
7. RATING	15 MIN
8. LOCATION	OUTDOOR
9. INSULATION CLASS	B
10. DESIGN TEMPERATURE RISE (BY RESISTANCE)	100℃
11. FULL LOAD SPEED	1710 RPM
12. FULL LOAD CURRENT	2.4 A
13. STARTING CURRENT AT RATED VOLTAGE	13.2 A
14. MINIMUM STARTING VOLTAGE	396 V
15. EFFICIENCY AT 100% RATED LOAD	65 %
16. POWER FACTOR AT 100% RATED LOAD	63 %
17. STARTING TORQUE	249 %
18. TYPE OF ENCLOSURE	전폐형
19. TYPE OF BEARING	PL : 6008DD OPL : 6207ZZ
20. MOUNTING	VERTICAL
21. MAXIMUM AMBIENT TEMPURE	40℃
22. BEARING LUBRICATION	GREASE
23. STARTING METHOD	FULL VOLTAGE

SCHEDULE OF TECHNICAL DATA

1. SERVICE	TRAVERSING
2. MANUFACTURE	LK HOIST CO. LTD
3. MOTOR MODEL NO	0.5 - 6 - 44
4. RATED POWER	0.5 KW × 6 P
5. RATED VOLTAGE AND FREQUENCY	440 V 60HZ
6. ROTOR TYPE	SQUIRREL CAGE ROTOR TYPE
7. RATING	15 MIN
8. LOCATION	OUTDOOR
9. INSULATION CLASS	B
10. DESIGN TEMPERATURE RISE (BY RESISTANCE)	100℃
11. FULL LOAD SPEED	1140 RPM
12. FULL LOAD CURRENT	1.6 A
13. STARTING CURRENT AT RATED VOLTAGE	8.8 A
14. MINIMUM STARTING VOLTAGE	396 V
15. EFFICIENCY AT 100% RATED LOAD	65 %
16. POWER FACTOR AT 100% RATED LOAD	63 %
17. STARTING TORQUE	250 %
18. TYPE OF ENCLOSURE	전폐형
19. TYPE OF BEARING	PL : 6008DD OPL : 6207ZZ
20. MOUNTING	VERTICAL
21. MAXIMUM AMBIENT TEMPERATURE	40℃
22. BEARING LUBRICATION	GREASE
23. STARTING METHOD	FULL VOLTAGE

SCHEDULE OF TECHNICAL DATA

1. SERVICE	TRAVERSING
2. MANUFACTURE	LK HOIST CO. LTD
3. MOTOR MODEL NO	0.75/0.25 - 4/12 - 44
4. RATED POWER	0.75/0.25 KW × 4/12 P
5. RATED VOLTAGE AND FREQUENCY	440 V 60HZ
6. MOTOR TYPE	SQUIRREL CAGE ROTOR TYPE
7. RATING	15 MIN
8. LOCATION	OUTDOOR
9. INSULATION CLASS	B
10. DESIGN TEMPERATURE RISE (BY RESISTANCE)	100℃
11. FULL LOAD SPEED	1710 / 550 RPM
12. FULL LOAD CURRENT	2.4 / 1.5 A
13. STARTING CURRENT AT RATED VOLTAGE	13.2 / 8.25 A
14. MINIMUM STARTING VOLTAGE	396 V
15. EFFICIENCY AT 100% RATED LOAD	65 / 48 %
16. POWER FACTOR AT 100% RATED LOAD	63 / 46 %
17. STARTING TORQUE	250 / 243 %
18. TYPE OF ENCLOSURE	전폐형
19. TYPE OF BEARING	PL : 6008DD OPL : 6207ZZ
20. MOUNTING	VERTICAL
21. MAXIMUM AMBIENT TEMPURE	40℃
22. BEARING LUBRICATION	GREASE
23. STARTING METHOD	FULL VOLTAGE